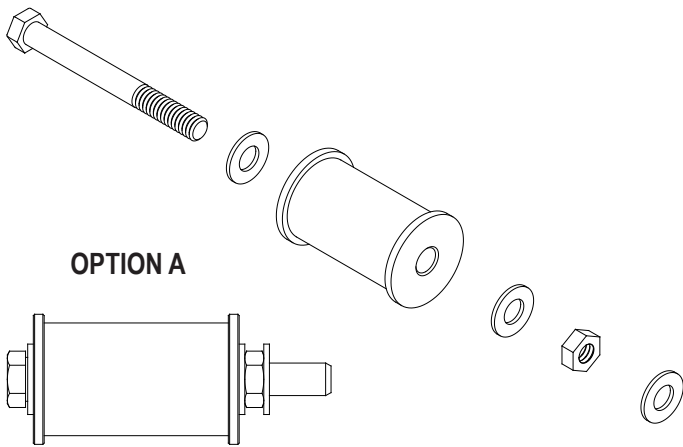
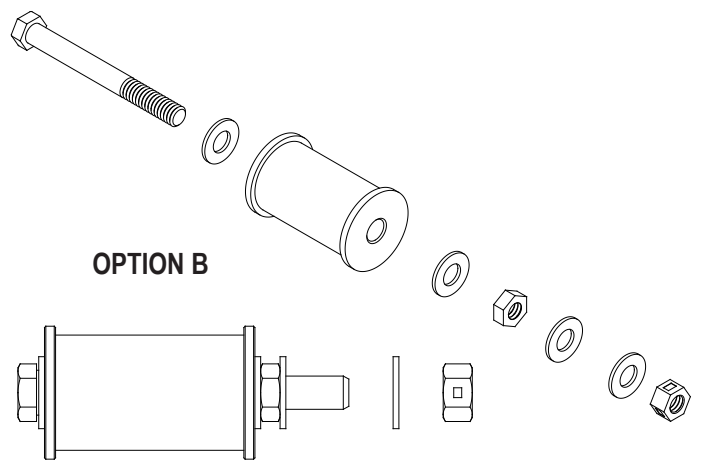


Item	Part #	Description
1.	1116117	Cable Guide Kit



OPTION A



OPTION B

STEP 1: Assemble parts onto 3/8" x 3 1/2" cap screw as shown.

STEP 2: Thread jam nut as far as possible, while still allowing cable guide to spin easily.

MOUNTING OPTION A:

STEP 3: Drill 5/16" hole and tap for 3/8-16 fastener. Skip this step if suitable mounting hole already exists.

STEP 4: Slide flat washer over cap screw. Thread cable guide assembly into hole until jam nut is tight against washer.

STEP 5: Tighten jam nut enough to secure assembly, while allowing cable guide to still spin freely.

NOTE: One flat washer and center lock nut not used for Option A.

Use **Mounting Option B** if cable guide location permits fastening a nut and washer on opposite side of mounting surface.

MOUNTING OPTION B:

STEP 3: Drill a 3/8" hole.

STEP 4: Slide flat washer onto end of cap screw. Insert cap screw through 3/8" drilled mounting hole.

STEP 5: Secure assembly with flat washer and center lock nut on other side of mounting surface.