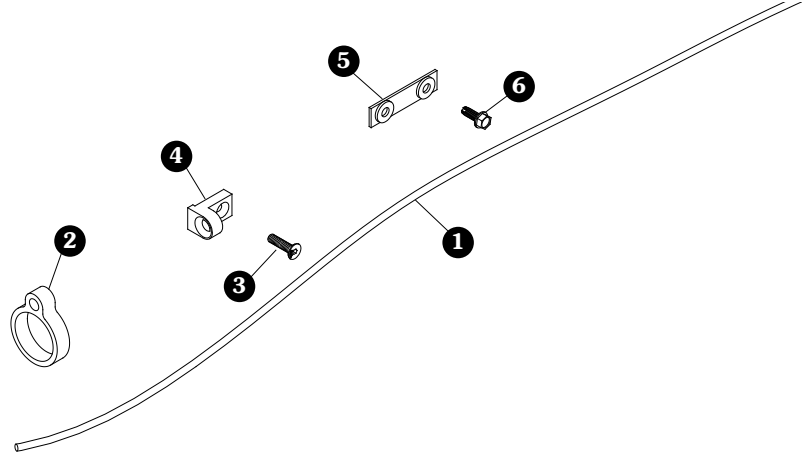
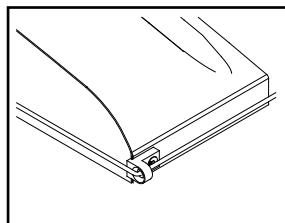


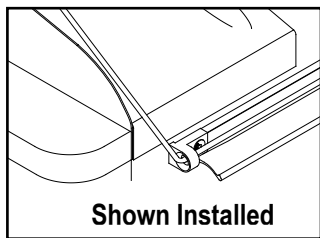
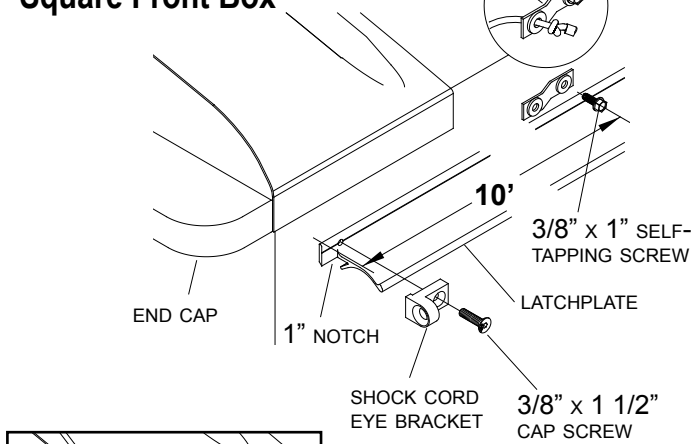
Item	Part #	Description
	1114951	Shock Cord Roll Return Kit
1.	1114950	Shock Cord - 138"
2.	1114947	Roll Tube Eye
3.	1703446	Cap Screw - Flat Head Socket - 3/8" x 1 1/2"
4.	1703445	Shock Cord Eye Bracket
5.	1114948	Shock Cord Tie Down Strap
6.	1700400	Self-Tapping Screw - 3/8" x 1"



STEP 1: Shock Cord System: Roll tarp open against tarp stops. For square front boxes without obstructions on front drop, locate eye bracket on end cap in configuration shown at top left. For non-square front boxes, notch latchplate 1". Align eye bracket with edge of notch on latchplate.



Square Front Box



Shown Installed

Non-Square Front Box

STEP 2: Using eye bracket as a template, mark and drill 5/16" hole. Thread hole by turning 3/8" self-tapping screw into hole and backing screw out. Secure with 3/8" x 1 1/2" flat head cap screw.

STEP 3: Mount tie down strap 10' back from front edge of latch plate. Drill 5/16" hole and fasten with 3/8" x 1" self-tapping screw.

STEP 4: Lead shock cord through eye bracket, then through grommet in tie down strap. Tie knot in shock cord at tie down strap to secure. Trim end of shock cord and wrap with tape to prevent end from fraying.

STEP 5: Roll Tube Eye: Roll tarp closed over side of box and let hang. At front of box, slide roll tube eye onto extension w/adaptee, or roll tube. Insert shock cord through roll tube eye and tie permanent knot. There should be tension on cord when tied. Trim end of shock cord and wrap with tape to prevent end from fraying.

