



ENGINEERED TARPING SOLUTIONS

P/N 1120888 Rev. B

INSTALLATION INSTRUCTIONS

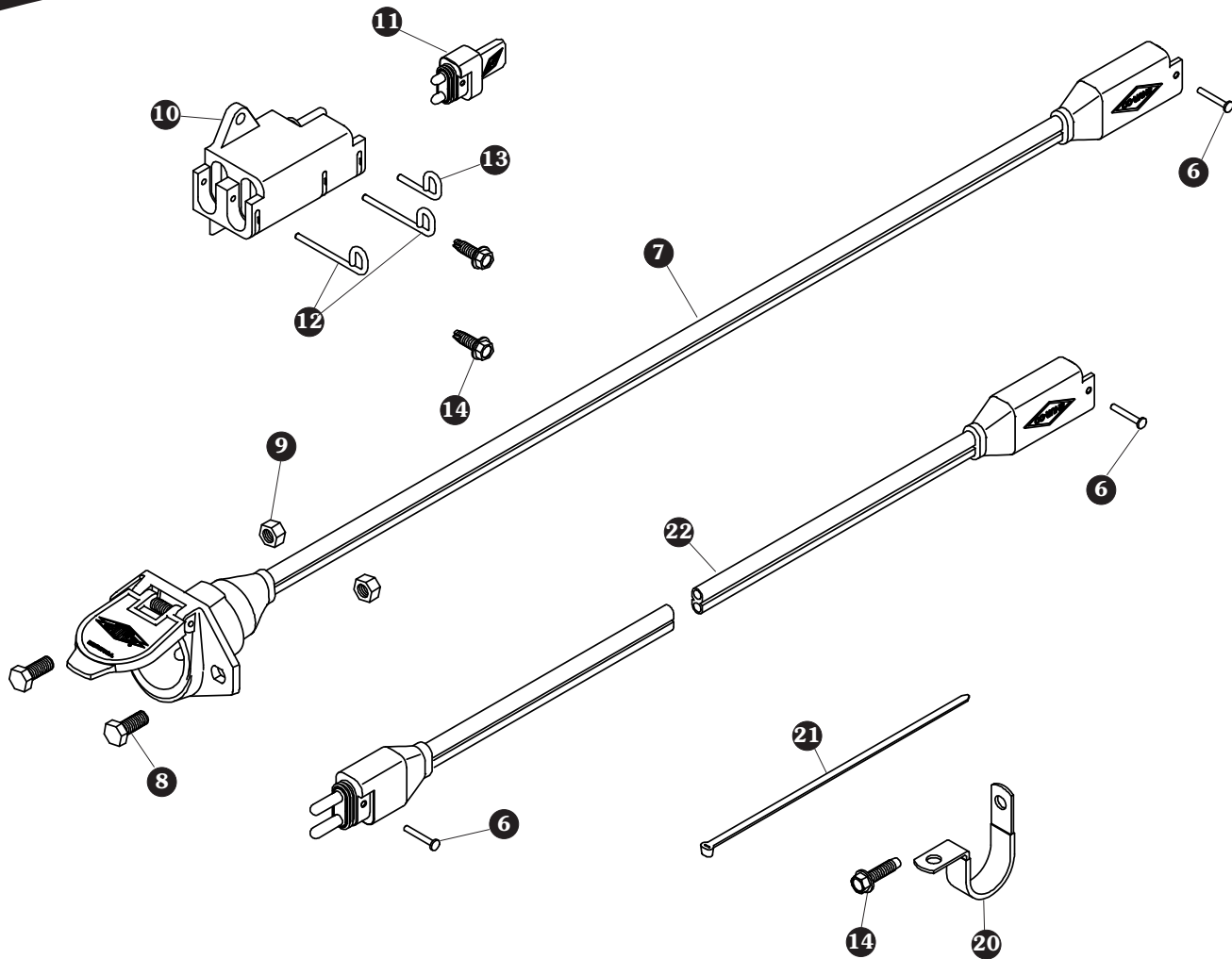


Wiring Four ProTraps

READ BEFORE INSTALLING

PO BOX 713 ■ 2309 SHUR-LOK STREET ■ YANKTON, SD 57078-0713
PHONE 1-800-4-SHUR-LOK (1-800-474-8756) ■ FAX 605-665-0501
www.shurco.com

SHOP ONLINE: www.shopshurco.com

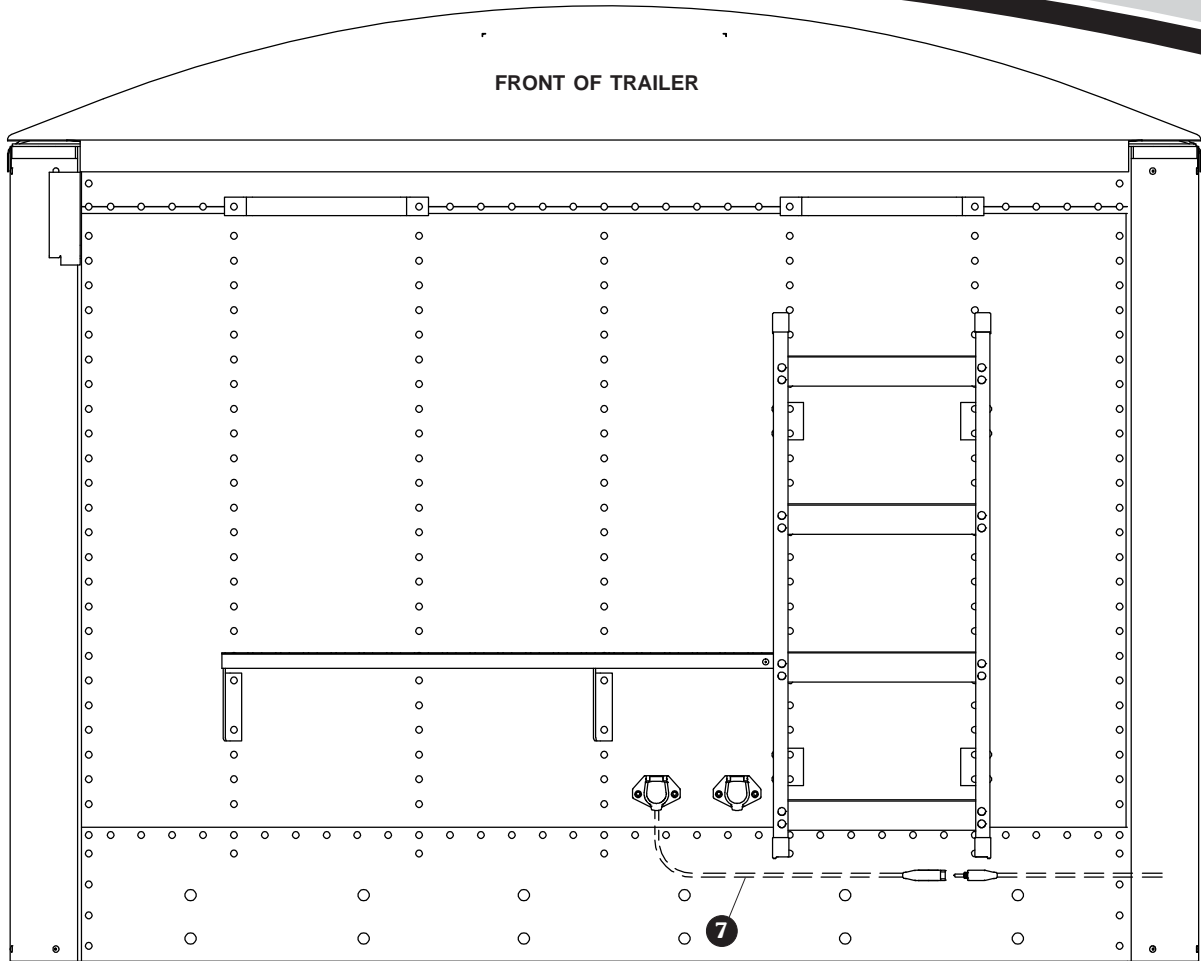


SMARTWIRE™ INSTALLATION

This instruction sheet is supplied with a variety of trailer models, therefore the locations for the SMARTwire™ components shown here may need to vary slightly on your trailer. Mounting locations are critical because wire lengths cannot be altered. Mount SMARTwire™ components as close as possible to the locations shown in order to not only ensure a quick and easy installation but also to facilitate SMARTwire™ upgrades.

Item	Part #	Description
6.	1704751	Harness Lock Pin - 1/4" x 7/8"
7.	1120670	SMARTwire™ Dual Conductor Socket
8.	1701045	Cap Screw - 5/16" x 3/4"
9.	1700411	Hex Nut - 5/16"
10.	1704695	Harness Junction Block
11.	1704717	Wire Harness Rubber Plug

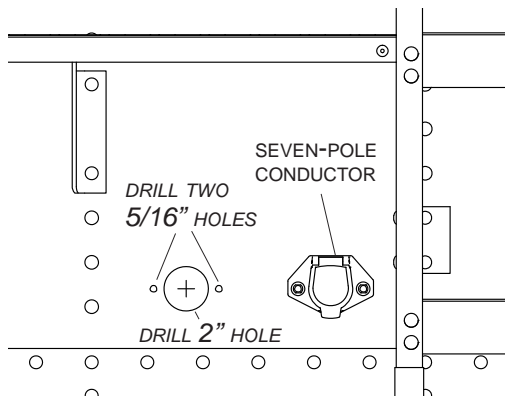
Item	Part #	Description
12.	1704696	Harness Lock Pin - Long
13.	1704711	Harness Lock Pin - Short
14.	1704338	Self-Tapping Screw - 1/4" x 1"
20.	1702108	Wire Clip - 3/4"
21.	1703231	Cable Tie - 8"
22.		SMARTwire™ - 6 Ga. x 25' - Plug/Socket



NOTE: Wire lengths are predetermined. Before installing SMARTwire™ components, review and confirm wire routing so that wires will reach components with ample room for connection.

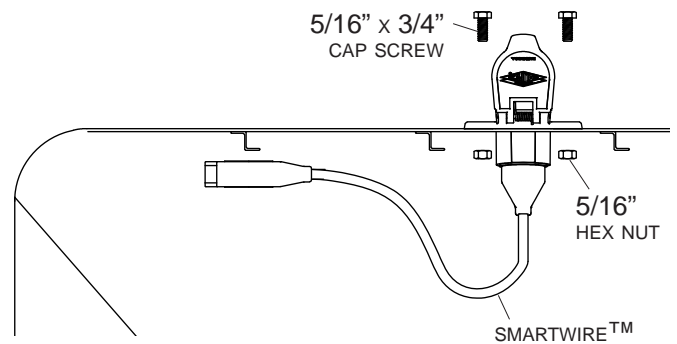
DUAL-POLE CONDUCTOR SOCKET INSTALLATION

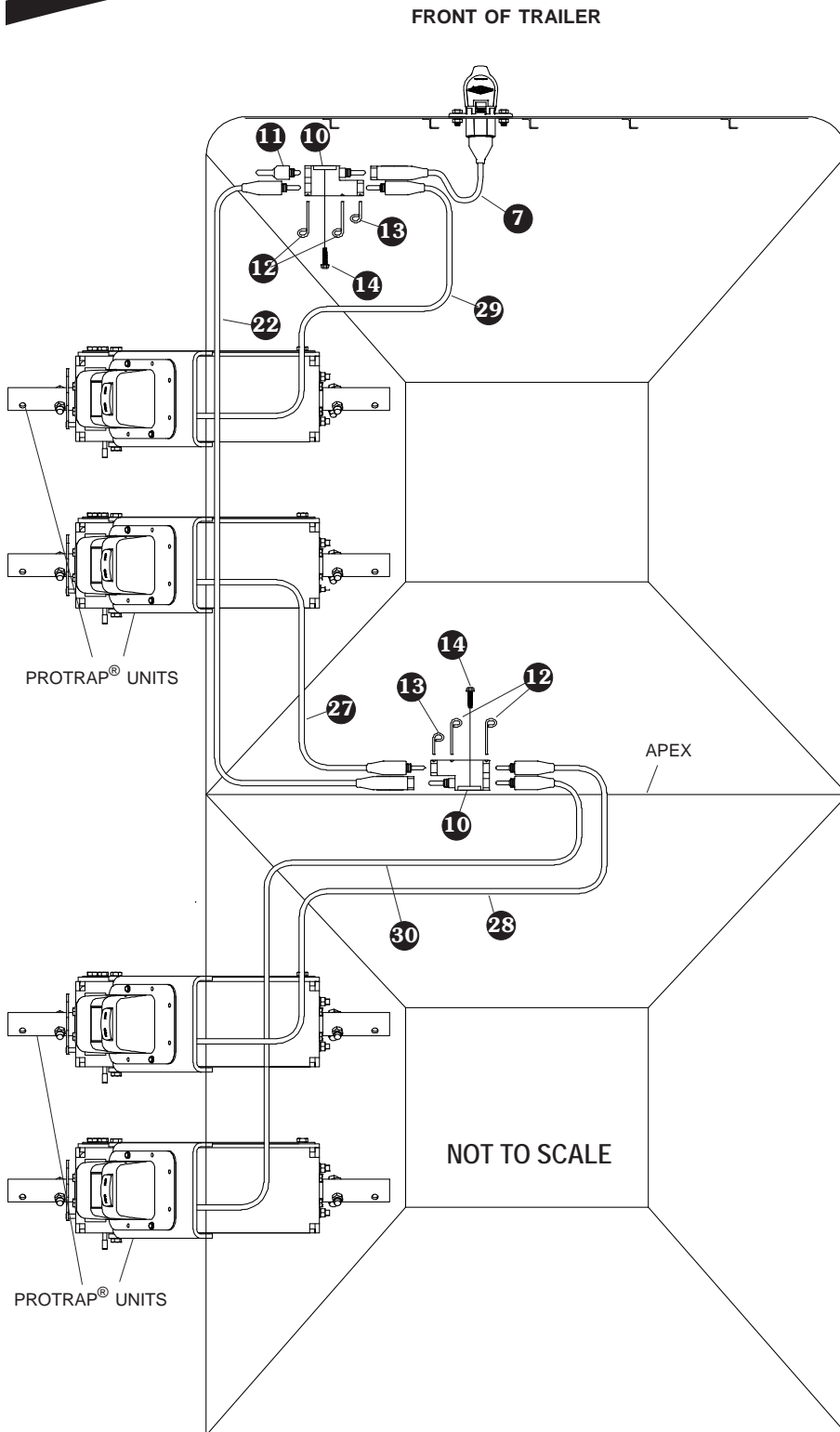
STEP 1: Locate dual-pole conductor socket near seven-pole conductor socket as shown. Determine location and drill 2" hole through trailer skin.



STEP 2: Align socket over 2" hole. Using holes in flanges on socket as a guide, mark and drill two 5/16" holes.

STEP 3: Fasten conductor socket to trailer with 5/16" x 3/4" cap screws and nuts.





NOTE: Coat each connection with dielectric grease (P/N 1704378) to prevent corrosion.

CAUTION
Do not fasten SMARTwire™ components to trailer through hopper walls.

FRONT OF TRAILER

- STEP 1: Route SMARTwire™ 7 along existing wiring on trailer.
- STEP 2: To determine junction block location on front of trailer, route SMARTwires 7 and 22 to where wires will meet. Position junction block 10 at this location. Using holes in junction block as a guide, mark and drill two 7/32" holes.
- STEP 3: Fasten junction block 10 to trailer with screws 14.
- STEP 4: Connect SMARTwires 7, 22 and 29 to junction block 10. Insert plug 11 into remaining socket. Secure with lock pins 12 and 13.
- STEP 5: Route SMARTwire™ 22 to apex of trailer.

APEX OF TRAILER

- STEP 6: To determine junction block location, route SMARTwires 22, 27, 23 and 30 to location on apex where wires will reach. Position junction block 10 at this location. Using holes in junction block as a guide, mark and drill two 7/32" holes.
- STEP 7: Fasten junction block 10 to trailer with screws 14.
- STEP 8: Connect SMARTwires 22, 27, 23 and 30 to junction block 10. Secure with lock pins 12 and 13.
- STEP 9: Secure all wires to trailer with cable clips 20 and screws 14. If needed, use cable ties 21.