



ENGINEERED TARPING SOLUTIONS

P/N 1120960 Rev. B

INSTALLATION INSTRUCTIONS

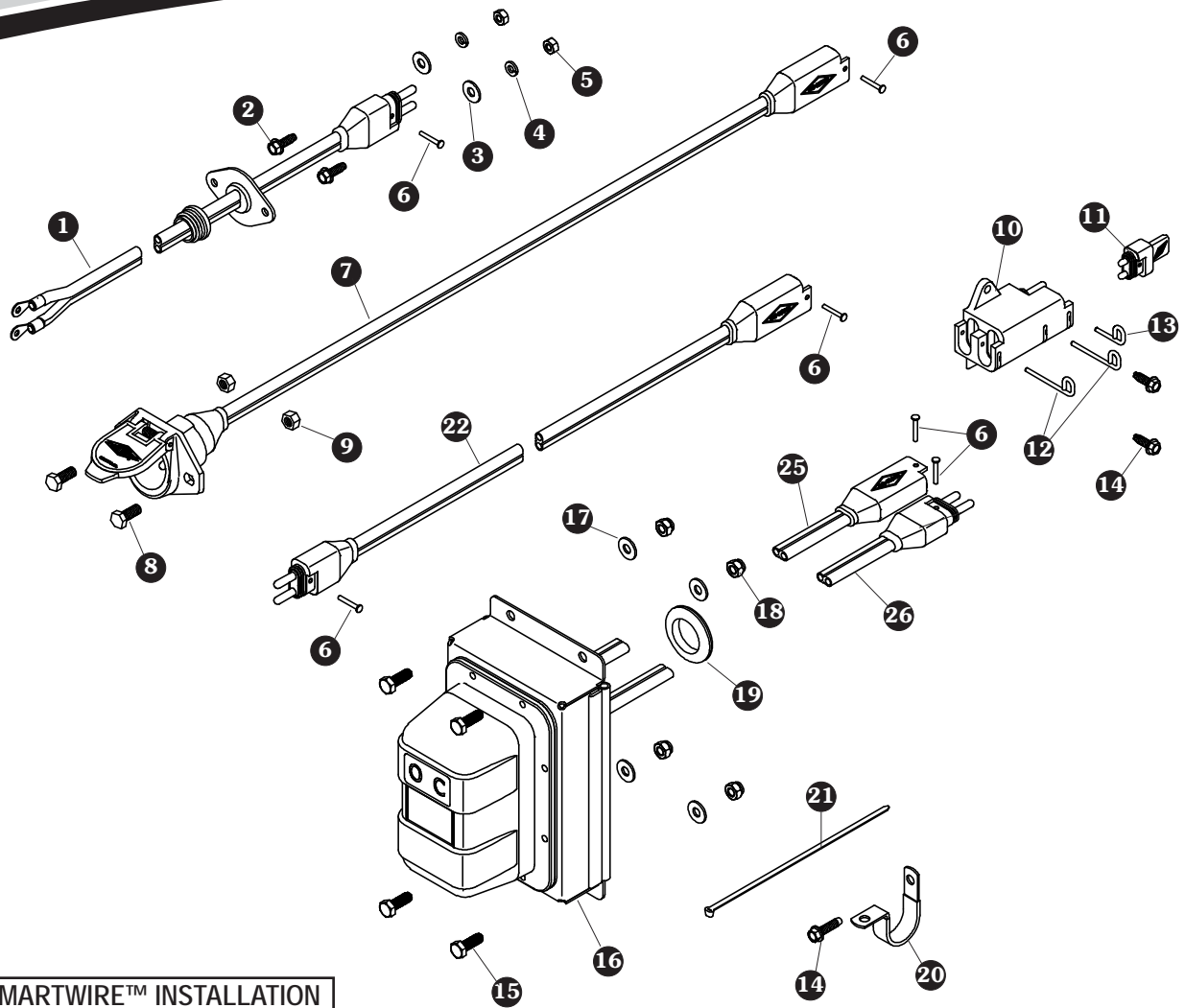


Wiring 4500 Series & One ProTrap[®]

READ BEFORE INSTALLING

PO BOX 713 ■ 2309 SHUR-LOK STREET ■ YANKTON, SD 57078-0713
PHONE 1-800-4-SHUR-LOK (1-800-474-8756) ■ FAX 605-665-0501
www.shurco.com

SHOP ONLINE: www.shopshurco.com

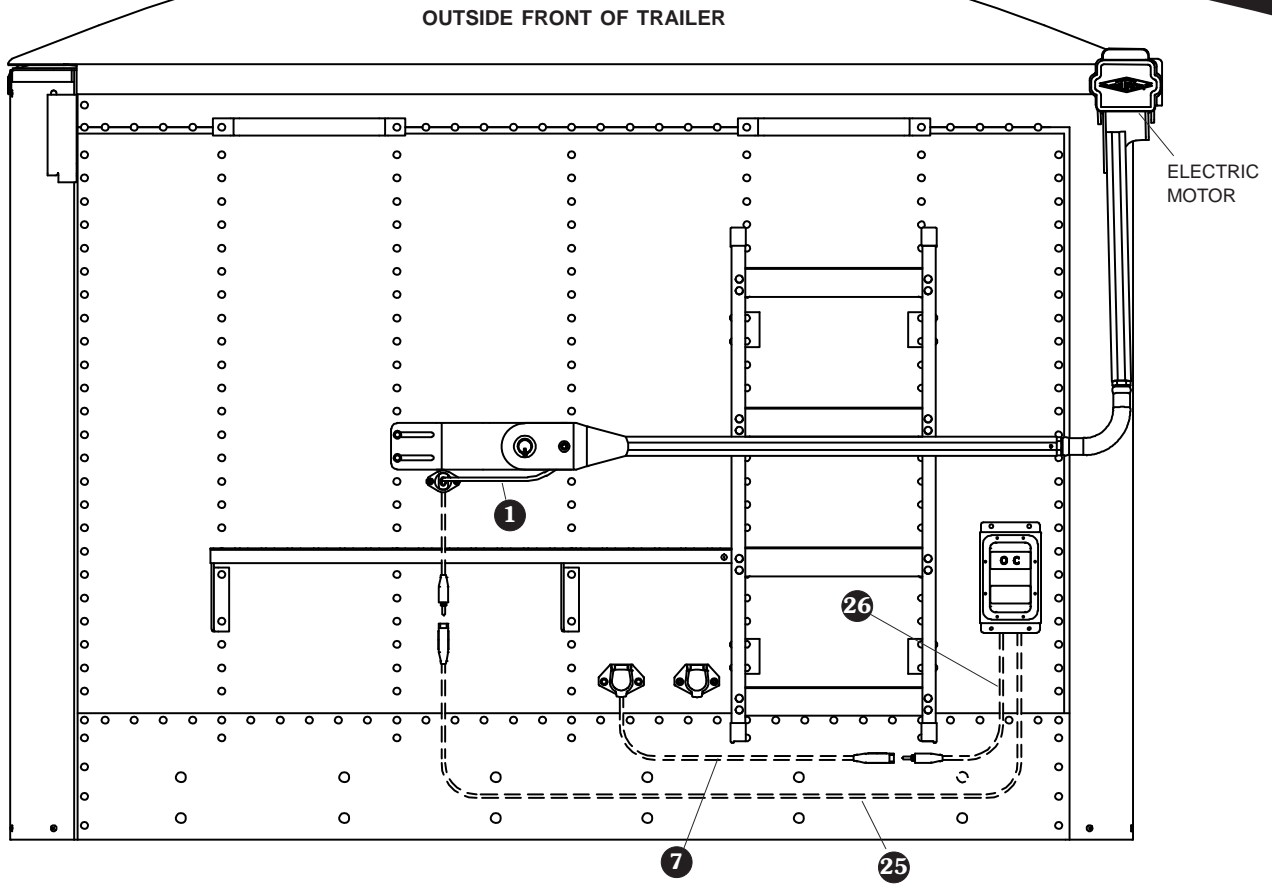


SMARTWIRE™ INSTALLATION

This instruction sheet covers a variety of trailers, therefore the locations for the SMARTwire™ components shown here may need to vary slightly on your trailer. Mounting locations are critical because wire lengths cannot be altered. Mounting SMARTwire™ components as close as possible to the locations shown will not only ensure a quick and easy installation, but will also facilitate SMARTwire™ upgrades.

| Item | Part # | Description |
|------|---------|-----------------------------------|
| 1. | | SMARTwire™ - 6 Ga. - Plug - 9' 9" |
| 2. | 1700403 | Self-Tapping Screw - 1/4" x 3/4" |
| 3. | 1700427 | Flat Washer - 1/4" |
| 4. | 1700436 | Lock Washer - 1/4" |
| 5. | 1700408 | Hex Nut - 1/4" |
| 6. | 1704751 | Harness Lock Pin - 1/4" x 7/8" |
| 7. | 1120670 | SMARTwire™ Dual Conductor Socket |
| 8. | 1701045 | Cap Screw - 5/16" x 3/4" |
| 9. | 1700411 | Hex Nut - 5/16" |
| 10. | 1704695 | Harness Junction Block |
| 11. | 1704717 | Wire Harness Rubber Plug |
| 12. | 1704696 | Harness Lock Pin - Long |

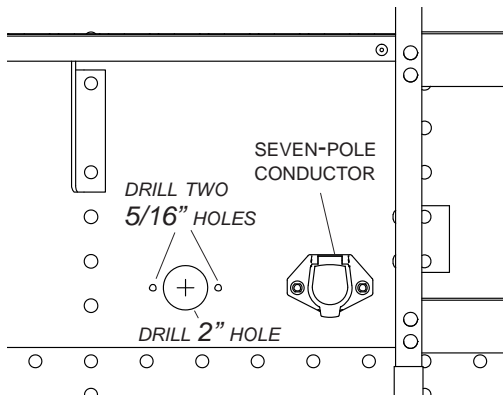
| Item | Part # | Description |
|------|---------|---|
| 13. | 1704711 | Harness Lock Pin - Short |
| 14. | 1704338 | Self-Tapping Screw - 1/4" x 1" |
| 15. | 1702926 | Cap Screw - 5/16" x 7/8" |
| 16. | | Shur-Co® Wireless Receiver - SMARTwire™ |
| 17. | 1701237 | Flat Washer - 5/16" |
| 18. | 1700419 | Lock Nut - 5/16" |
| 19. | 1202938 | Rubber Grommet - 1 1/2" Insert |
| 20. | 1702108 | Wire Clip - 3/4" |
| 21. | 1703231 | Cable Tie - 8" |
| 22. | | SMARTwire™ - 6 Ga. x 25' - Plug/Socket |
| 25. | | SMARTwire™ - 6 Ga. x 6' 3" - Socket |
| 26. | | SMARTwire™ - 6 Ga. x 2' 4" - Plug |



NOTE: Wire lengths are predetermined. Before installing SMARTwire™ components, review and confirm wire routing so that wires will reach components with ample room for connection.

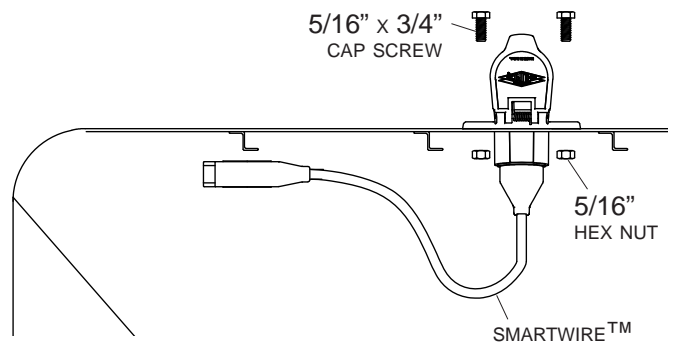
DUAL-POLE CONDUCTOR SOCKET INSTALLATION

STEP 1: Locate dual-pole conductor socket near seven-pole conductor socket as shown. Determine location and drill 2" hole through trailer skin.



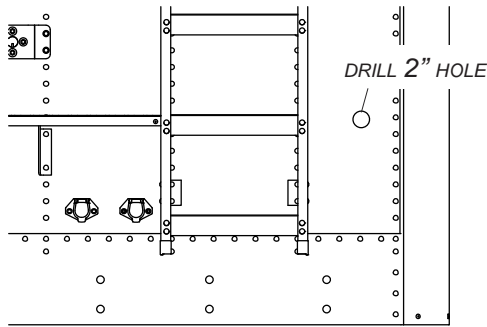
STEP 2: Align socket over 2" hole. Using holes in flanges on socket as a guide, mark and drill two 5/16" holes.

STEP 3: Fasten conductor socket to trailer with 5/16" x 3/4" cap screws and nuts.

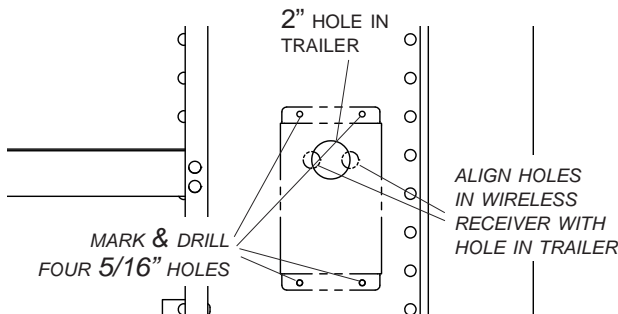


SHUR-CO® WIRELESS RECEIVER INSTALLATION

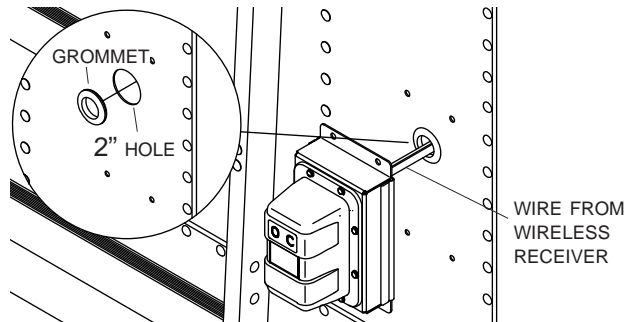
STEP 1: Locate Shur-Co® wireless receiver as shown on page 2. Determine location and drill 2" hole through trailer skin.



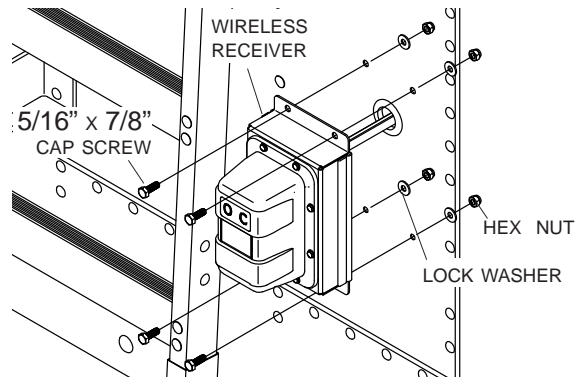
STEP 2: Align holes in wireless receiver over 2" hole in trailer as shown below. Using holes on flanges on receiver as a guide, mark and drill four 5/16" holes as shown.



STEP 3: Install grommet into 2" hole. Insert wire from wireless receiver through grommet.

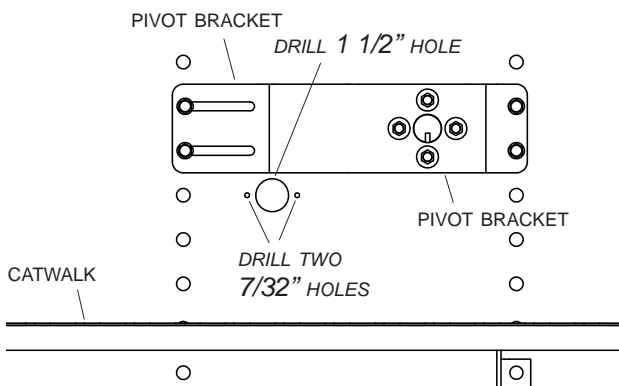


STEP 4: Align holes on wireless receiver with holes on trailer. Fasten receiver to trailer with 5/16" x 7/8" cap screws, lock washers and nuts.



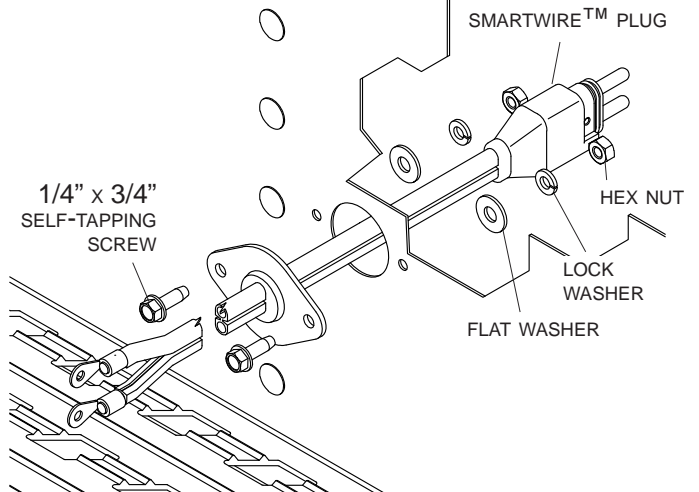
ADAPTER PLUG INSTALLATION

STEP 1: Measure 11" horizontally from center line of trailer and 1" down from lower edge of pivot bracket. Mark and drill 1 1/2" hole through trailer skin.

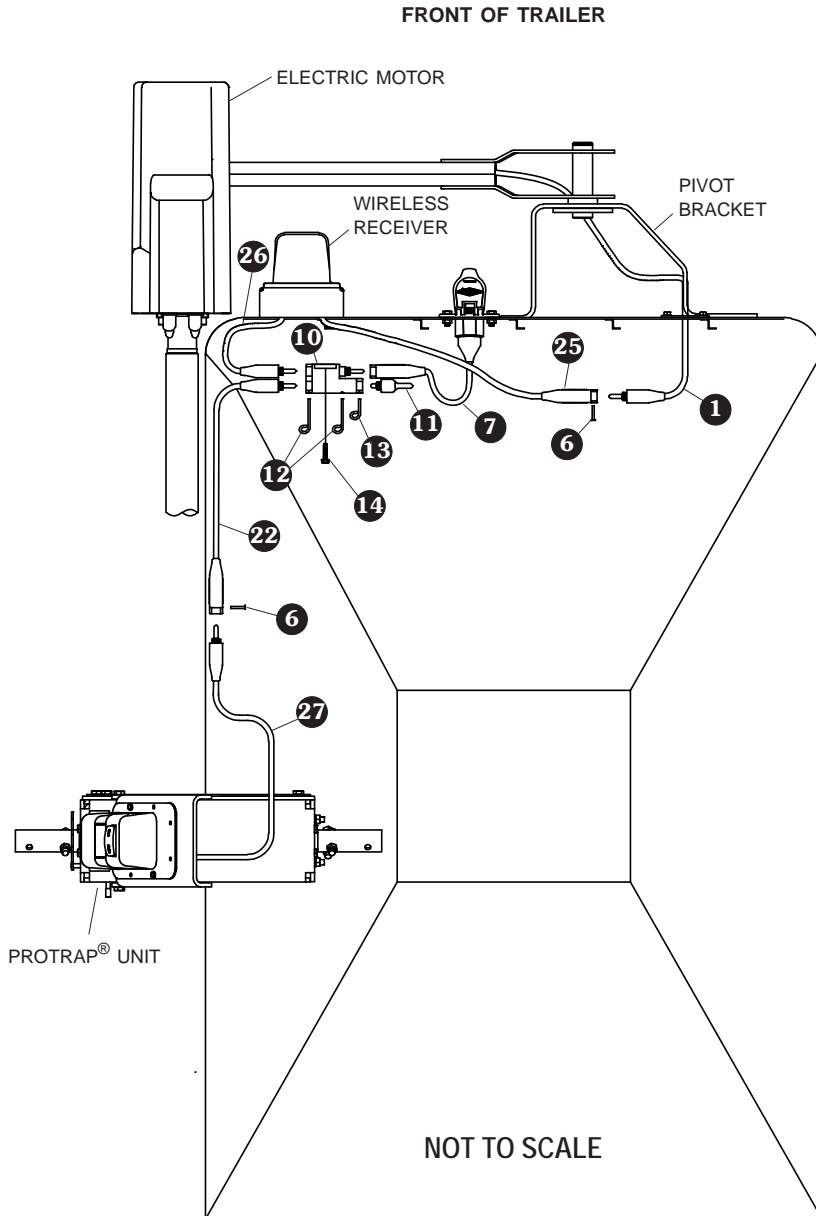


STEP 2: Align adapter plug with 1 1/2" hole. Using plug as a guide, mark and drill two 7/32" holes as shown.

STEP 3: Fasten adapter plug to front of trailer with 1/4" x 3/4" cap screws, lock washers and nuts.



NOTE: Coat each connection with dielectric grease (P/N 1704378) to prevent corrosion.



CAUTION
Do not fasten SMARTwire™ components to trailer through hopper walls.

- STEP 1: Route SMARTwire™ 25 from wireless receiver to adapter plug 1. Connect wire to adapter plug and secure with lock pin 6.
- STEP 2: To determine location of front junction block, route SMARTwires 7 and 26 to a location where wires will reach. Mount junction block 10 at this location. Using holes in junction block as a guide, mark and drill two 7/32" holes.
- STEP 3: Fasten junction block 10 to trailer with screws 14.
- STEP 4: Connect SMARTwires 7, 22 and 26 to junction block 10. Insert plug 11 into remaining socket. Secure connections with lock pins 12 and 13.
- STEP 5: Route SMARTwire™ 22 from front of trailer toward ProTrap® unit.
- STEP 6: Connect SMARTwires 22 and 27. Secure with lock pin 6.
- STEP 7: Secure all wires to trailer with cable clips 20 and screws 14. If needed, use cable ties 21.

MORE QUALITY PRODUCTS FROM SHUR-CO®

- **Genuine Replacement Tarps**
- **Genuine Replacement Parts**

- **Agriculture Products**
 - Value Series Shur-Lok
 - Super Duty Shur-Lok
 - Shur-Lok® Junior
 - Premium Belt 'n Ratchet
 - Cable-Lok™
 - Turning Point™ Bow System

- **SMARTrailer™ Accessories for Agriculture Products**
 - SMARTransmitter®
 - Shur-Link Pro™
 - 4500 Series Electric
 - ProTrap® Hopper Opener
 - LiteALL™ Work Lights
 - Cable-Lok™ Electric Upgrade
 - Electric Turning Point™ Bow System
 - Value Series Electric
 - Solar Power Pack

- **Flatbed Products**
 - Lumber Tarps
 - Steel Tarps
 - Coil Tarps
 - Cargo Control

- **Construction Products**
 - Super Duty Shur-Lok®
 - Premium Belt 'n Ratchet
 - Shur-Trak II™
 - Cover-Pro II®
 - UltraSteel Econo-Pull
 - UltraSteel Arm - Basic
 - UltraSteel Arm - Premium
 - Arm-Matic™
 - Turning Point™ Bow System
 - IronSide™ Side Arm System

- **SMARTrailer™ Accessories for Construction Products**
 - SMARTransmitter®
 - 4500 Series Electric w/Gate Flex™
 - Shur-Trak II™ Electric Upgrade
 - Cover-Pro II® Electric Upgrade
 - Electric Turning Point™ Bow System
 - Solar Power Pack

- **Custom Products**
 - Fitted Truck Covers
 - Flat Utility Tarps
 - Bean Drill Covers
 - Hopper Extension Covers
 - Auger Boots

ENGINEERED TARPING SOLUTIONS

