



ENGINEERED TARPING SOLUTIONS

P/N 1114761 Rev. E

OWNER'S MANUAL

Combine Hopper Extension

READ BEFORE INSTALLING

PO BOX 713 ■ 2309 SHUR-LOK STREET ■ YANKTON, SD 57078-0713
PHONE 1-800-4-SHUR-LOK (1-800-474-8756) ■ FAX 605-665-0501
www.shurco.com

SHOP ONLINE: www.shopshurco.com

Shur-Co.® warrants that all new, unused products are free from defects in materials and workmanship. This warranty is effective if the product is properly installed and used for the purpose intended and applies to the original buyer only. Shur-Co.®'s obligation under this warranty is limited to repairing or, at its option, replacing any part that is returned, transportation prepaid, to Shur-Co.®, Yankton, SD. If the product is, in our judgement, in fact defective. All materials returned without written authorization will be refused. Shur-Co.® shall not be responsible to supply or pay labor to replace any part found defective, nor shall it be liable for any damages of any kind or nature to person, product or property.

There are no warranties for used products or products that have been repaired, altered, modified, subjected to misuse, negligence, accident or ordinary wear and tear.

Shur-Co.® products are sold without any express warranty except as set forth above.

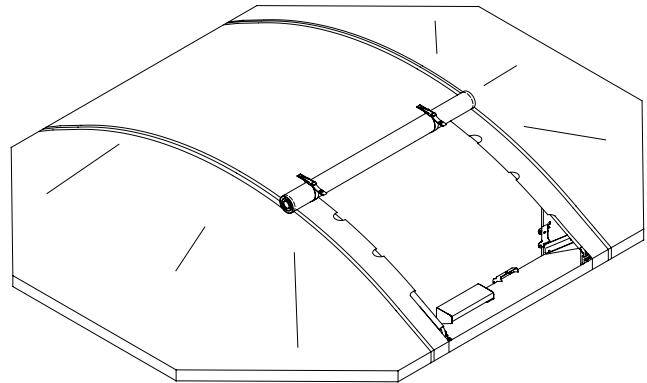
No person is authorized to modify the foregoing warranty in any respect whatsoever.

Shur-Co.® is not obligated to honor warranty claims if approved O.E.M. or Genuine Shur-Co.® parts are not utilized.

SHUR-CO.® OF SOUTH DAKOTA

Corp. HQ and Outlet Store
 2309 Shur-Lok St., PO Box 713
 Yankton, SD 57078-0713
 Phone: 1-800-4-SHUR-LOK
 (1-800-474-8756)
 Fax: 1-605-665-0501

Hopper Extension Cover



SERVICE CENTERS

Shur-Co.® of North Dakota
 920 38th St. NW, Exit 66
 Fargo, ND 58102
 Phone: 1-701-277-5714
 Fax: 1-701-877-1283

Shur-Co.® of Ohio
 1100 N. Freedom, PO Box 827
 Ravenna, OH 44266
 Phone: 1-330-297-0888
 Fax: 1-330-297-5599

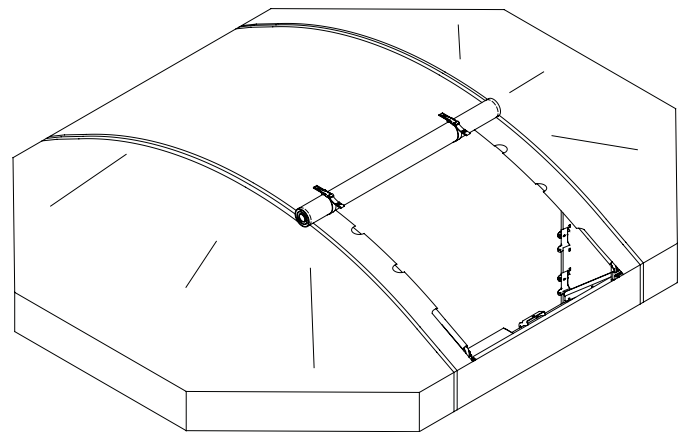
Shur-Co.® of Colorado
 10220 Brighton Rd.
 Henderson, CO 80640
 Phone: 1-303-289-2050
 Fax: 1-303-289-2298

Shur-Co.® of Texas/Houston
 34505 I-10 West, S. Frontage Rd.
 Brookshire, TX 77423
 Phone: 1-281-934-1007
 Fax: 1-281-934-3311

Shur-Co.® of Illinois
 4350 E. Boyd Rd.
 Decatur, IL 62521
 Phone: 1-217-877-8277
 Fax: 1-217-877-8270

Shur-Co.® of Oklahoma
 1604 E. US Hwy 66
 El Reno, OK 73036
 Phone: 1-405-262-7600
 Fax: 1-405-262-3842


Shur-Co.® of Iowa
 3839 Midway Blvd.
 Ft. Dodge, IA 50501
 Phone: 1-515-576-0959
 Fax: 1-515-576-5578



Hopper Extension Cover With Tip Ups

MESSAGE TO OWNERS

Thank you for buying this tarping system from Shur-Co.® We appreciate your confidence in our products. Please read and thoroughly understand this manual before installing and/or operating this system.

Pay particular attention to important safety and operating instructions, as well as warnings and cautions. The hazard symbol  is used to alert users to potentially hazardous conditions and is followed by caution, warning or danger messages.

Failure to READ AND FOLLOW INSTRUCTIONS could result in failure of your tarping system and/or personal injury. Your trailer requirements may, however, call for minor variations to these instructions.

Please inspect your tarping system periodically. Repair or replace worn or damaged parts to your system.

Note: The illustrations used for the following installation procedures show the 9000 Series JD extension. The 9650 Series JD, and STS Series JD are installed in the same manner. Our customer service and installation specialists will be happy to answer any questions you may have.

QUESTIONS? CALL OUR HELP LINE:

1-866-748-7435

MON-FRI 8 AM-5 PM CENTRAL TIME

SAFETY

We at Shur-Co.® are concerned with your safety and the safety of all those operating this system. Therefore, we have provided safety decals at various locations on your tarping system. Keep decals as clean as possible at all times. Replace any decal that has become worn or damaged, painted over or otherwise difficult to read. Replacement decals are available through Shur-Co.® dealers.

SAFETY INSTRUCTIONS

- 1. Always wear safety glasses during installation.**
- 2. Keep body and clothing clear of moving parts.**
- 3. Do not operate under potentially dangerous obstacles.**
- 4. Return bows to secure position after operation.**
- 5. Use only OSHA approved ladders or scaffolding during installation process.**

RUST PREVENTION

To prevent rust, paint all exposed metal, such as weld seams and/or metal exposed by grinding or cutting, with corrosion-resistant paint.

TABLE OF CONTENTS

Hardware Identification..... 1

Operation..... 1

Box Hooks & Ratchets..... 2

Replacement Parts..... 3 - 4

Base Plates & Bow Brackets 5

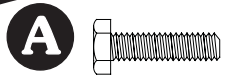
Ridge Straps 6

Bows & Fabric Caps..... 7

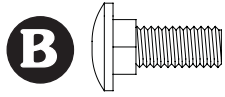
Tarp 8

TOOLS REQUIRED

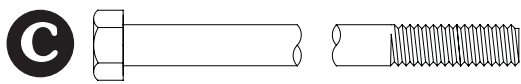
- 1. Drill
- 2. .266 (7/64") Diameter Drill Bit
- 3. 7/16" Wrench (Qty 2, or 7/16" Socket)
- 4. 9/16" Wrench (Qty 2, or 9/16" Socket)
- 5. Hammer
- 6. Center Punch
- 7. Tape Measure
- 8. Straight Edge
- 9. Pencil



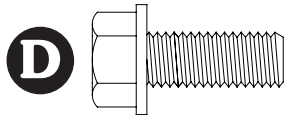
1700381 - Cap Screw, 1/4" x 1"



1702522 - Carriage Bolt, 3/8" x 1"



1703178 - Cap Screw, 3/8" x 6 1/2"



1702996 - Cap Screw, 1/2" x 1 1/4"



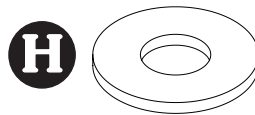
1700427 - Flat Washer, 1/4"



1701176 - Flat Washer, 3/8"



1701269 - Flat Washer, 1/2" Special



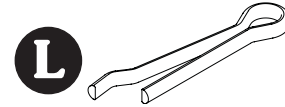
1702114 - Flat Washer, 1/2"



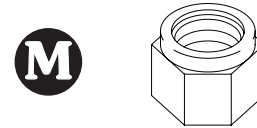
1701543 - Nylon Lock Nut, 1/4"



1700418 - Centerlock Nut, 3/8"



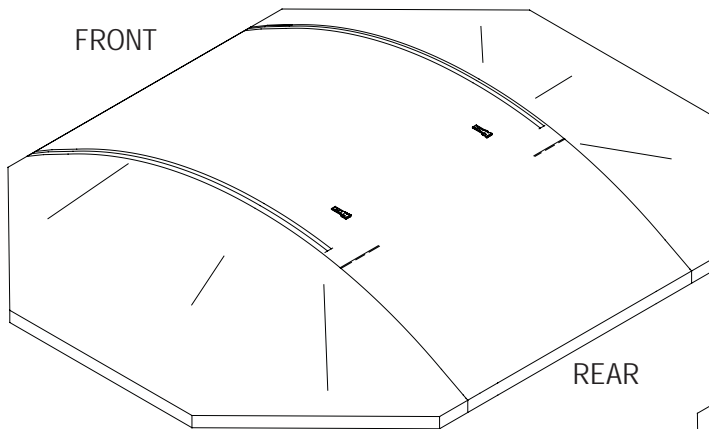
1701577 - Cotter Pin



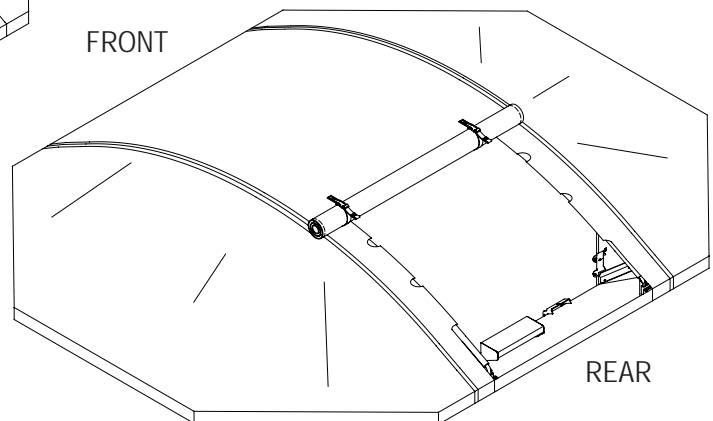
1702115 - Nylon Lock Nut, 1/2"

OPERATION

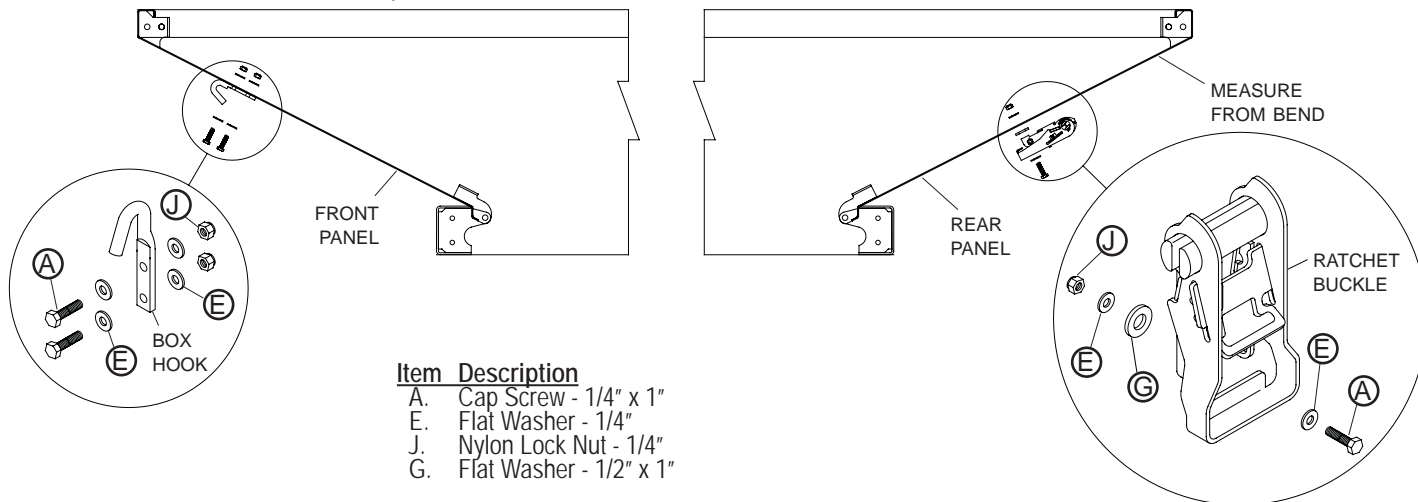
CLOSE: Hook shock cords over box hooks on rear of hopper extension.



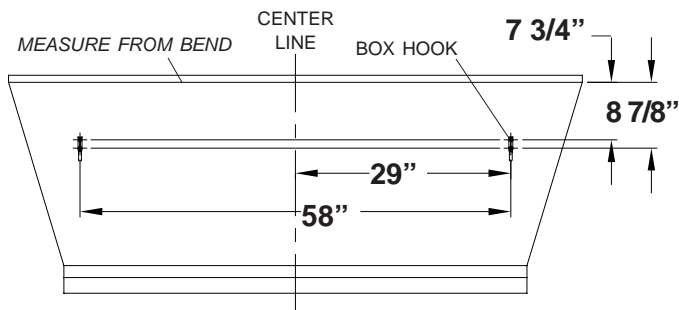
OPEN: Unhook shock cords, roll tarp open around flat bar, then buckle tarp straps.



Installation Summary: Determine ratchet buckle and box hook locations on front and back panels of hopper extension. Mark and drill holes. Fasten box hooks to front panel, and box hooks and ratchet buckles to rear panel.

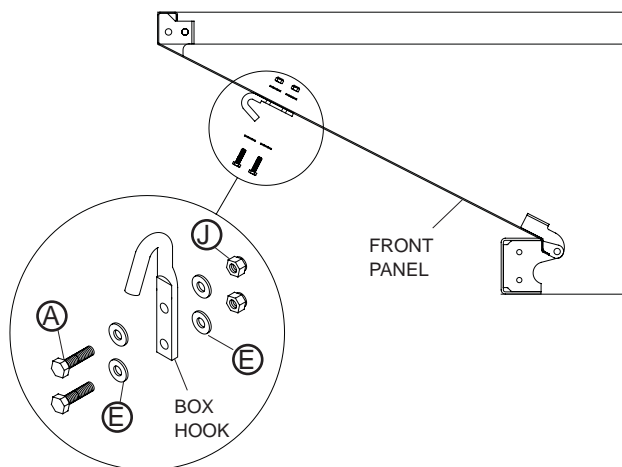


STEP 1: Front Panel: Locate center line of front panel. Mark hole locations as shown, measuring from center line, and from bend at top of panel. Drill .266" (7/64") holes at marked locations.

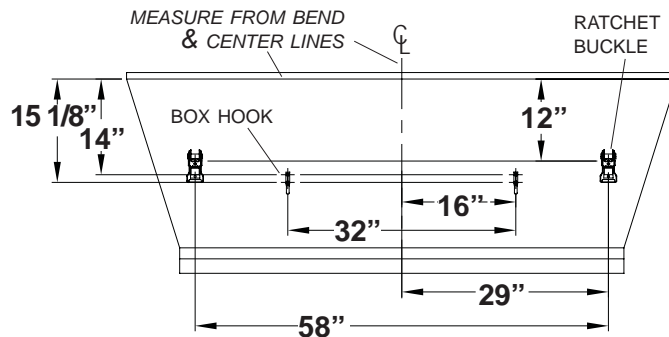


NOTE: Panels are shown in flat view for clarity.

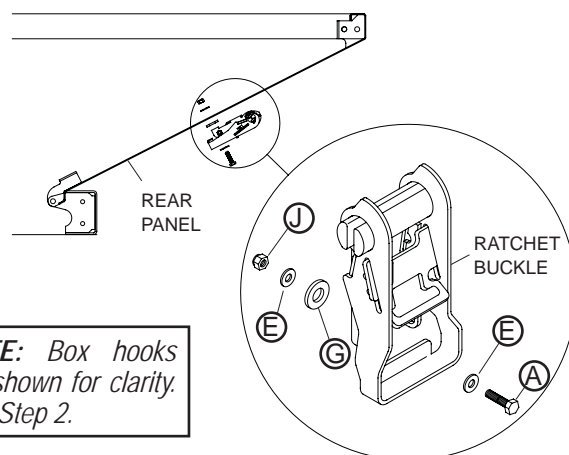
STEP 2: Fasten box hooks as shown with two screws **A**, four washers **E**, and two nuts **J**. Tighten securely.



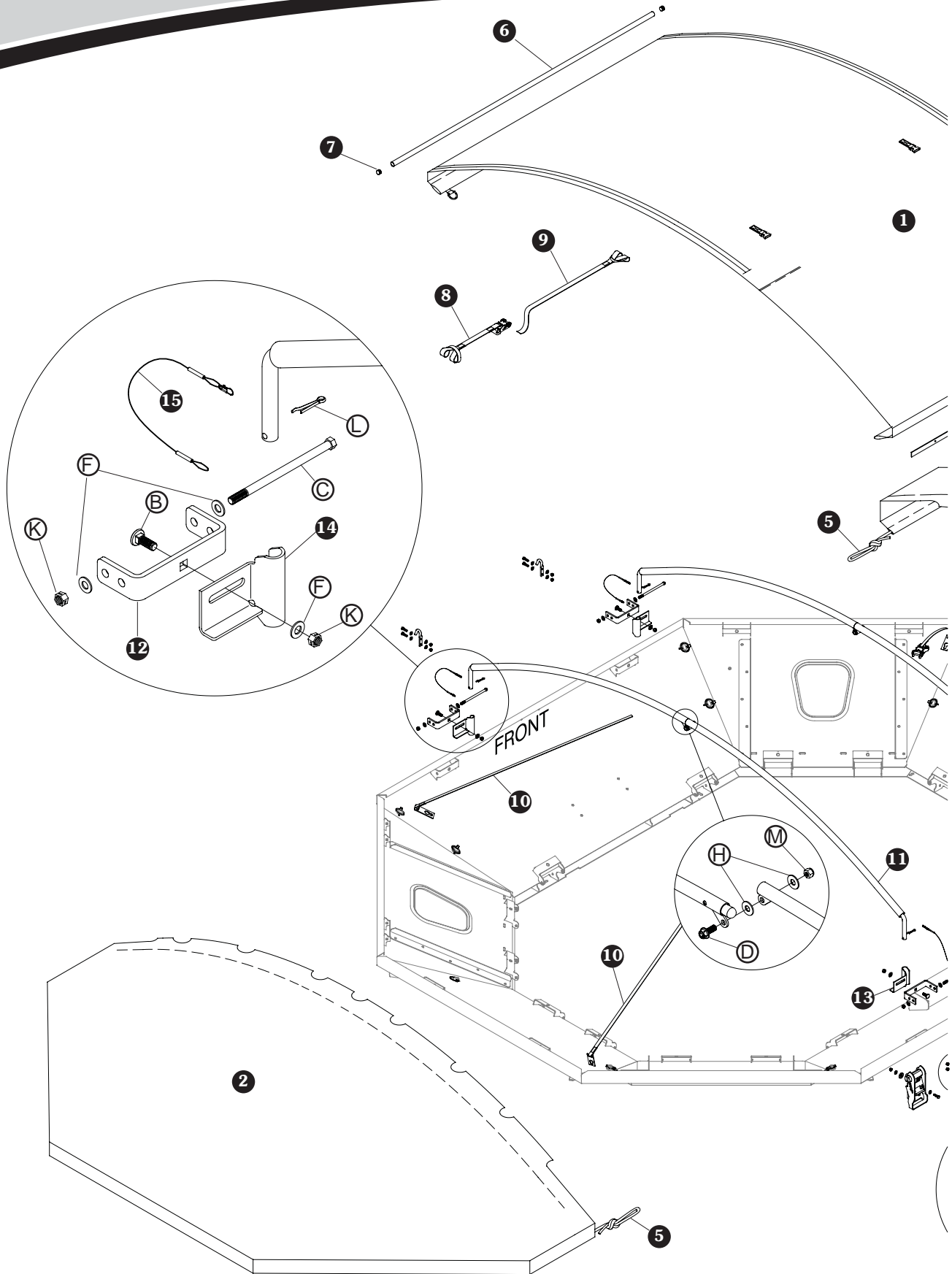
STEP 3: Rear Panel: Locate center line of rear panel. Mark hole locations as shown, measuring from center line, and from bend at top of panel. Drill .266" (7/64") holes at marked locations.

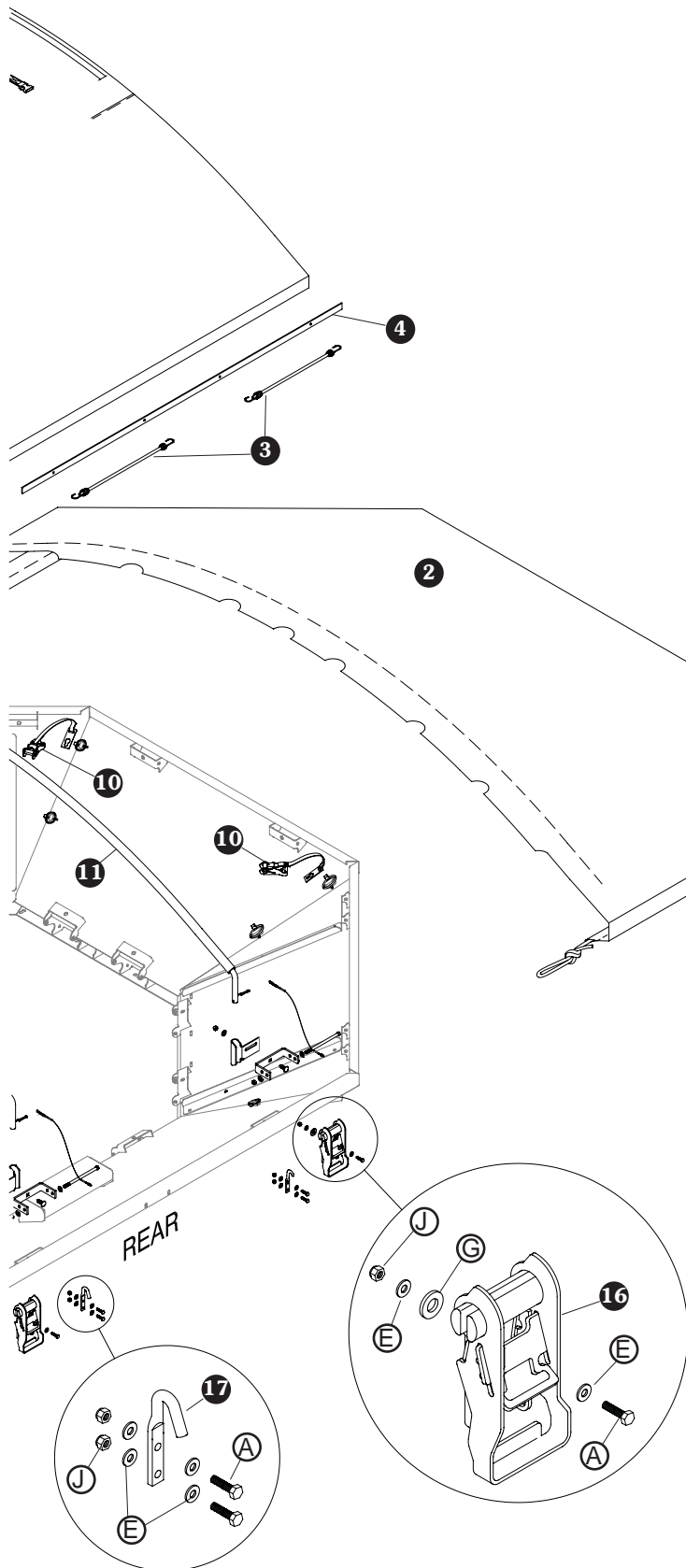


STEP 4: Fasten box hooks (see step 2) with two screws **A**, four washers **E**, and two nuts **J**. Fasten ratchet buckles as shown with screw **A**, two washers **E**, washer **G**, and nut **J**. Tighten securely.



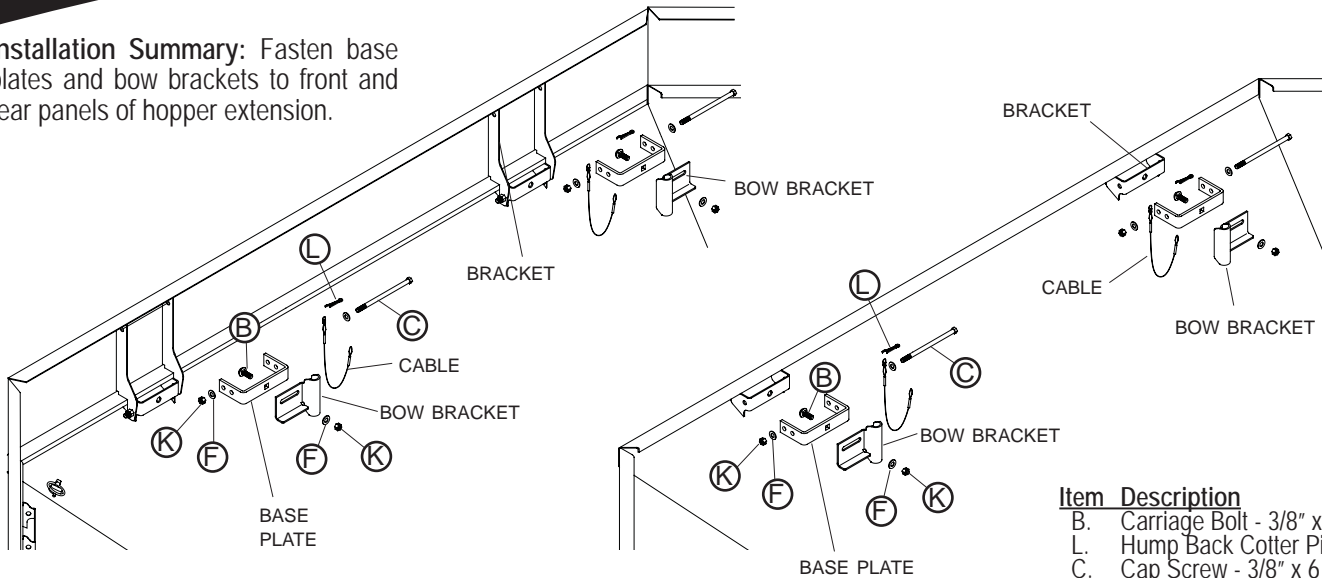
NOTE: Box hooks not shown for clarity. See Step 2.





Item	Part #	Description
A	1700381	Cap Screw, 1/4" x 1"
B	1702522	Carriage Bolt, 3/8" x 1"
C	1703178	Cap Screw, 3/8" x 6 1/2"
D	1702996	Cap Screw, 1/2" x 1 1/4"
E	1700427	Flat Washer, 1/4"
F	1701176	Flat Washer, 3/8"
G	1701269	Flat Washer, 1/2" Special
H	1702114	Flat Washer, 1/2"
J	1701543	Nylon Lock Nut, 1/4"
K	1700418	Centerlock Nut, 3/8"
L	1701577	Cotter Pin
M	1702115	Nylon Lock Nut, 1/2"
1.	1114735	Tarp - 9000 Series JD Std
	1114736	Tarp - 9000 Series JD w/Tip Ups
	1114737	Tarp - 9650 Series JD Std
	1114738	Tarp - 9650 Series JD w/Tip Ups
	1114740	Tarp - STS Series JD w/Tip Ups
2.	1114741	Fabric Cap - 9000 Series JD Std
	1114742	Fabric Cap - 9000 Series JD w/Tip Ups
	1114743	Fabric Cap - 9650 Series JD Std
	1114744	Fabric Cap - 9650 Series JD w/Tip Ups
	1114746	Fabric Cap - STS Series JD w/Tip Ups
3.	1700990	Shock Cord, 18"
4.	1114747	Flat Bar, 2" x 61 1/2"
	1114768	Flat Bar, 2" x 58 1/2"
5.	1700176	Shock Cord, Heavy Duty
6.	1114769	Fixed Tube, 64"
7.	1701595	End Plug, 1" OD
8.	1114748	Ratchet w/Web & Loop
9.	1114749	Web w/Loop
10.	1101685	Ridge Strap Kit 1" x 25'
11.	1114750	Hinged Bow - Std
	1114751	Hinged Bow - Long
12.	1114752	Base Plate
13.	1114759	Bow Bracket, Left
14.	1114760	Bow Bracket, Right
15.	1100574	SS Cable w/Interlock Snap
16.	1700836	Ratchet Buckle
17.	1700682	Box Hook

Installation Summary: Fasten base plates and bow brackets to front and rear panels of hopper extension.

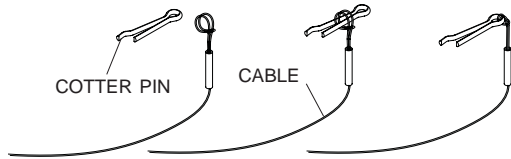


Item	Description
B.	Carriage Bolt - 3/8" x 1"
L.	Hump Back Cotter Pin
C.	Cap Screw - 3/8" x 6 1/2"
F.	Flat Washer - 3/8"
K.	Centerlock Nut - 3/8"

Extension With Tip Ups

Standard Extension

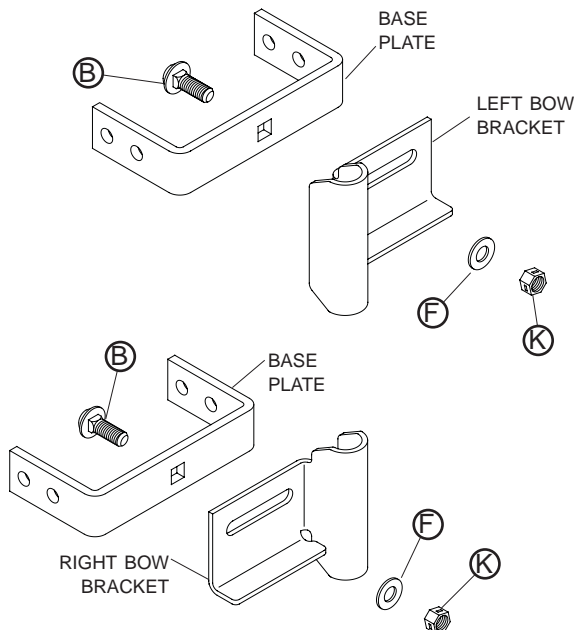
STEP 1: Cotter Pins: Create a loop in cable end. Insert cotter pin and tighten to secure.



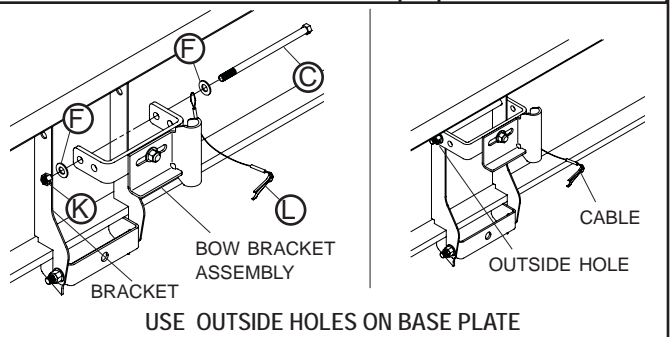
STEP 3: Base Plates: Install bow bracket assemblies to brackets on front and back panels with cap screws **C**, two washers **F**, and nuts **K**. Fasten cable loop between washer **F**, and base plate with cap screw **C**. Cable clip may be removed and discarded.

NOTE: For Extensions with Tip Ups *ream holes in bracket and install screw through outside holes on base plate.*

STEP 2: Bow Brackets: Align left and right bow brackets on base plates as shown. Fasten with carriage bolt **B**, washers **F**, and nuts **K**.

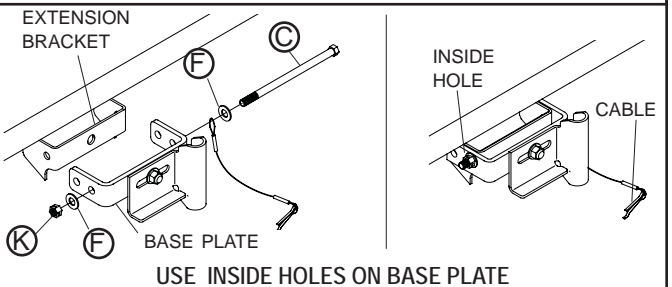


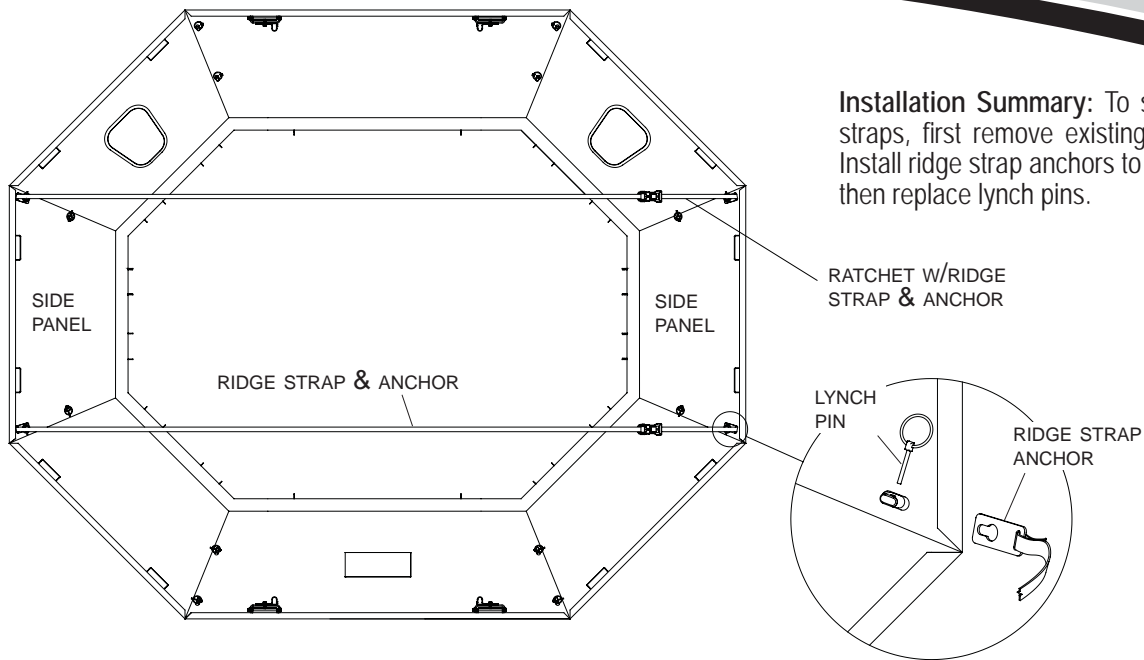
Extension with Tip Ups



NOTE: For Standard Extensions *install screw through inside holes on base plate.*

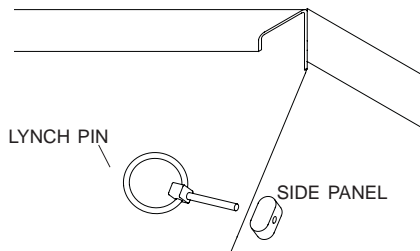
Standard Extension



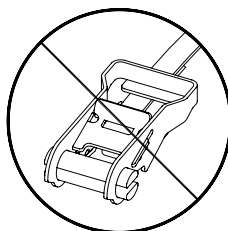
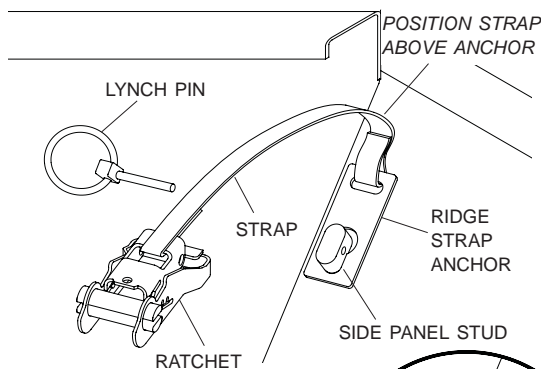


Installation Summary: To secure ridge straps, first remove existing lynch pins. Install ridge strap anchors to side panels, then replace lynch pins.

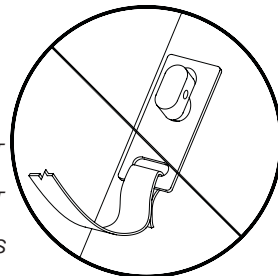
STEP 8: Determine ridge strap anchor locations per illustration at top of page. Remove lynch pin from side panel of hopper extension.



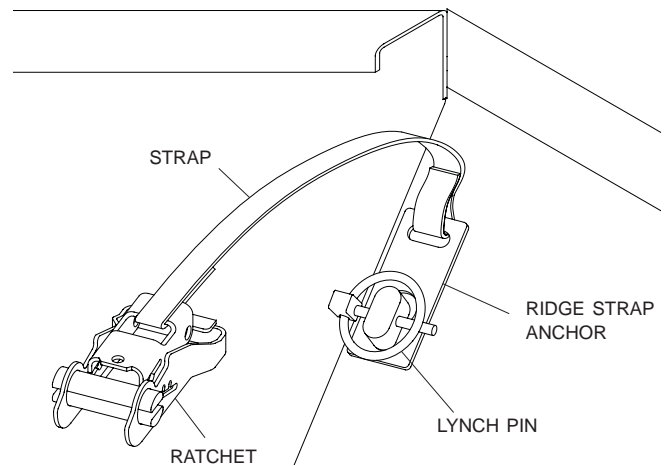
STEP 9: Place ridge strap anchor over side panel stud, with STRAP ON TOP. Position ratchet under strap.



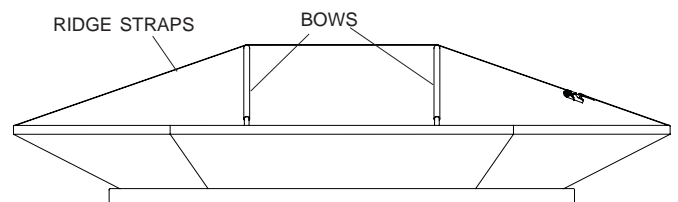
STRAP MUST BE ON TOP TO SUPPORT TARP AND FABRIC CAPS

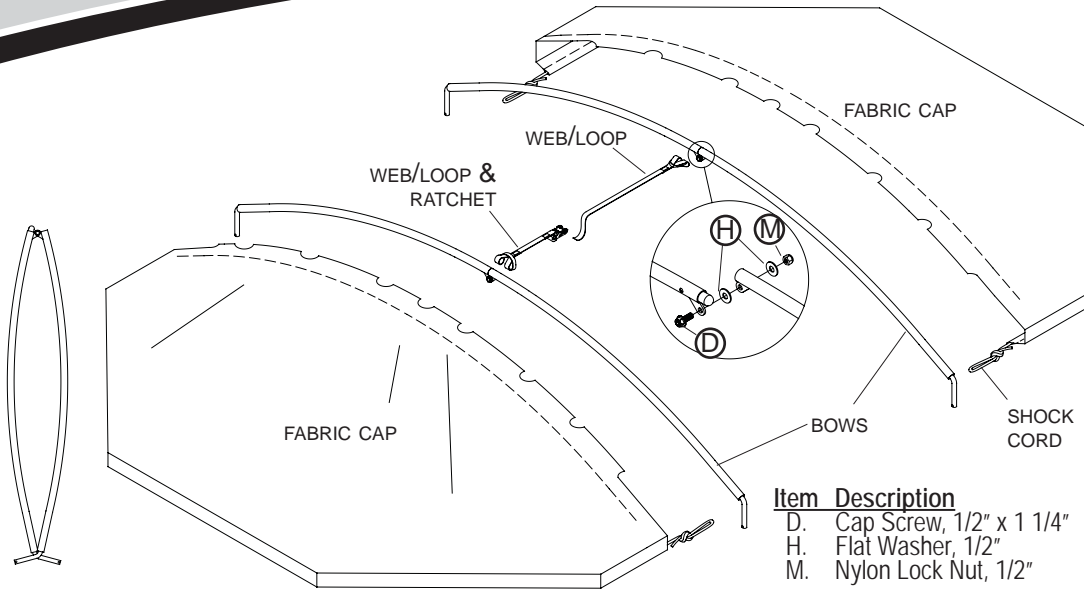


STEP 10: Replace lynch pin.



STEP 11: Straps will be inserted through ratchet buckles and tightened after bows and fabric caps are installed. Straps must be installed under fabric caps and over bows to support tarp and fabric caps.

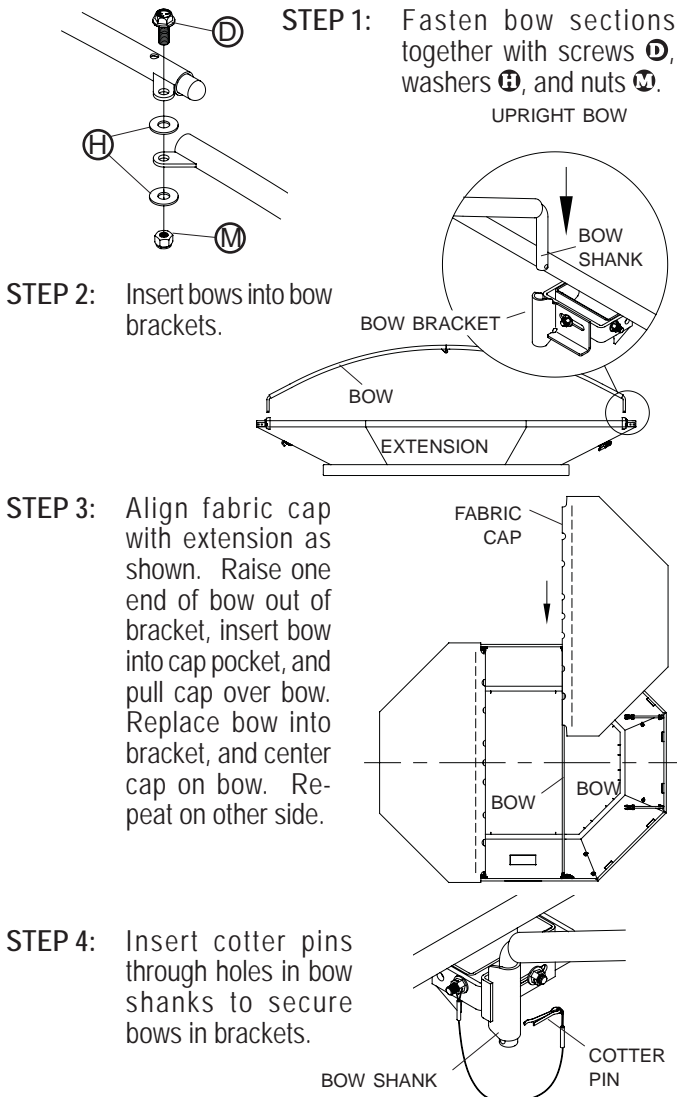




Installation Summary: Insert bows into fabric caps, install bows into bow brackets, and secure with cotter pins. Swing center of bows outward, pull fabric caps over edges of hopper extension, then return bows to upright position. Attach shock cord to box hooks on front and back panels. Loop ends of web/loop and ratchet over centers of bows and pull strap through loops. Pull strap through ratchet and tighten.

Item Description

- D. Cap Screw, 1/2" x 1 1/4"
- H. Flat Washer, 1/2"
- M. Nylon Lock Nut, 1/2"



STEP 1: Fasten bow sections together with screws **D**, washers **H**, and nuts **M**.
UPRIGHT BOW

STEP 2: Insert bows into bow brackets.

STEP 3: Align fabric cap with extension as shown. Raise one end of bow out of bracket, insert bow into cap pocket, and pull cap over bow. Replace bow into bracket, and center cap on bow. Repeat on other side.

STEP 4: Insert cotter pins through holes in bow shanks to secure bows in brackets.

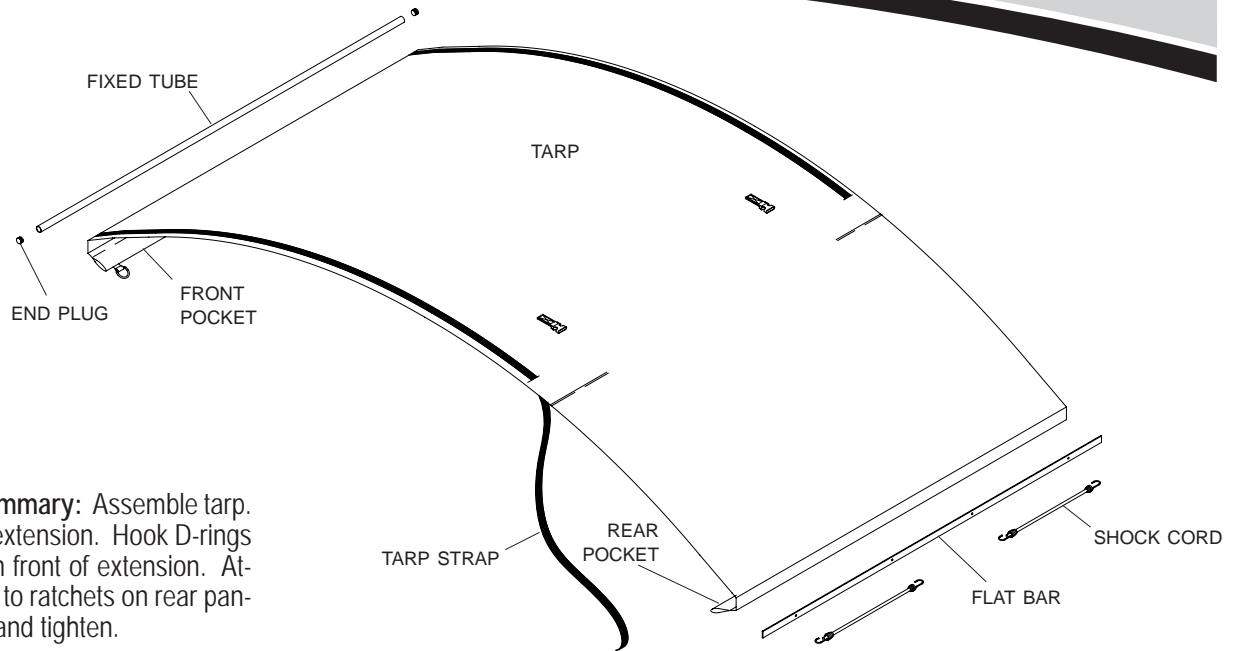
STEP 5: Rotate bows outward and pull caps over outside of extension. Align corners of caps with corners of extension, then return bows to upright position.

STEP 6: Pull shock cord tight to determine length, and tie loops in ends of shock cords. Hook loops over box hooks on front and back panels as shown.

NOTE: Shock cords cross each other.

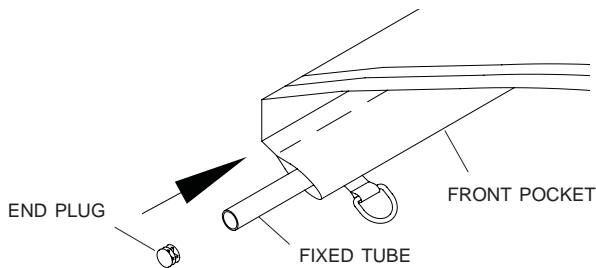
STEP 7: Wrap looped end of ratchet strap around bow and pull ratchet through loop. Loop end of strap around other bow. Pull strap through loop, then attach to ratchet. Tighten ratchet to secure bows in upright position.

STEP 8: Fasten ridge straps under caps and over bows, tighten. See Step 11.

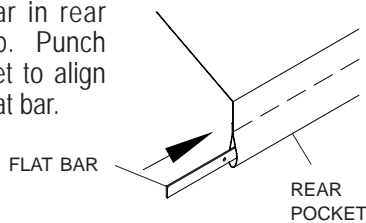


Installation Summary: Assemble tarp. Center tarp on extension. Hook D-rings to box hooks on front of extension. Attach tarp straps to ratchets on rear panel of extension and tighten.

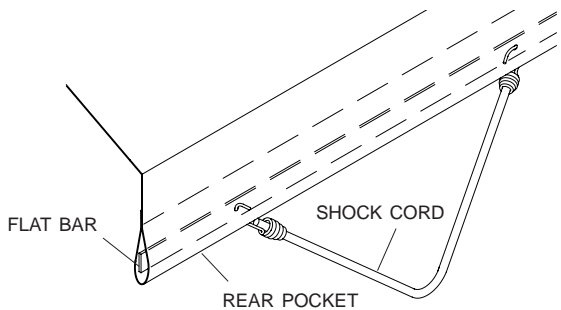
STEP 1: Install end plugs into both ends of fixed tube. Insert fixed tube into front pocket on tarp.



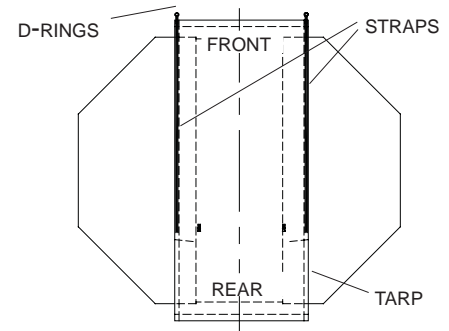
STEP 2: Center flat bar in rear pocket on tarp. Punch holes in pocket to align with holes in flat bar.



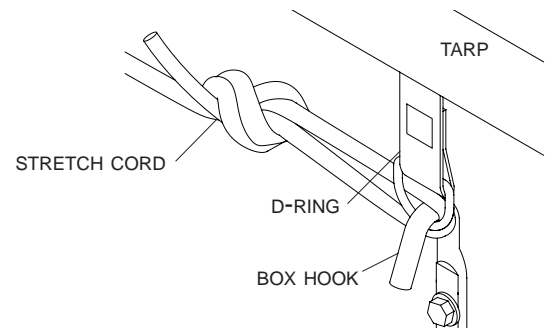
STEP 3: Attach shock cords through holes in rear pocket and holes in flat bar.



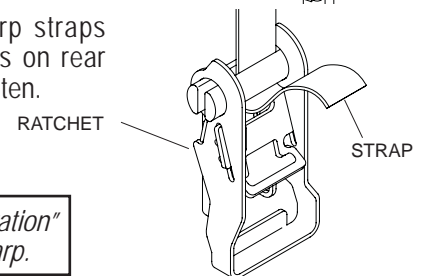
STEP 4: Center tarp on extension with top side up.



STEP 5: Hook D-rings to box hooks on front panel of extension.



STEP 6: Attach tarp straps to ratchets on rear panel, tighten.



NOTE: See "Operation" to open and close tarp.

MORE QUALITY PRODUCTS FROM SHUR-CO.®

- Value Series Shur-Lok®
- Super Duty Shur-Lok®
- Value Series Belt & Ratchet
- Premium Belt & Ratchet
- Shur-Lok® Junior
- Cable-Lok™ Spool Tarp
- 3500 Series Electric Shur-Lok®
- Value Series Electric Shur-Lok®
- Super Duty Electric Shur-Lok®
- SMARTrailer™ Accessories
- SMARTranmitter™
- ProTrap® Electric Hopper Door Opener
- Electric Turning Point Bow™ System
- Shur-Trak II™ Cable System
- Cover-Pro II® Cable System
- UltraSteel Arm System
- Shur-Matic® Arm System
- Fitted & Flat Covers
- Turning Point Bow™ System
- Combine Hopper Ext. Covers
- Stock & Custom Flatbed Tarps
- Load Control Line
- Genuine Replacement Tarps
- Genuine Replacement Parts
- Solar Power Pack

ENGINEERED TARPING SOLUTIONS

