

BOX DETAIL SHEET FOR GRAIN CARTS AND GRAVITY WAGONS

CONTACT INFORMATION

NAME _____
 ADDRESS _____
 CITY _____ STATE _____ ZIP _____
 PHONE _____ FAX _____
 BOX/TRAILER MAKE _____

PROVIDE ALL REQUESTED INFORMATION OR YOUR ORDER MAY BE DELAYED.
DO NOT USE UNIVERSAL BOX SIZES. **ALWAYS** USE ACTUAL MEASUREMENTS.

G01BD-0711

BOX DIMENSIONS

A _____ UPPER OUTSIDE BOX LENGTH
B _____ UPPER OUTSIDE BOX WIDTH
 Front _____ Center _____ Rear _____
N _____ TOP RAIL WIDTH
U _____ INSIDE BOX WIDTH
X _____ UPPER OUTSIDE BOX HEIGHT

FRONT CONFIGURATION | *Must answer this*

VERTICAL SLOPED

BOX EXTENSION STYLE | *See Figures 1 and 2*

FLAT SLANTED FLAT W/ANGLE
 SLANTED W/ANGLE SLANTED W/OVERHANG
 SLANTED W/OVERHANG AND ANGLE

BOX EXTENSION DIMENSIONS

B4 _____ EXTENSION WIDTH
X1 _____ EXTENSION HEIGHT DRIVER'S SIDE
X2 _____ EXTENSION HEIGHT PASSENGER SIDE
X3 _____ LOWER EXTENSION ANGLE

TARP COLOR(S) _____

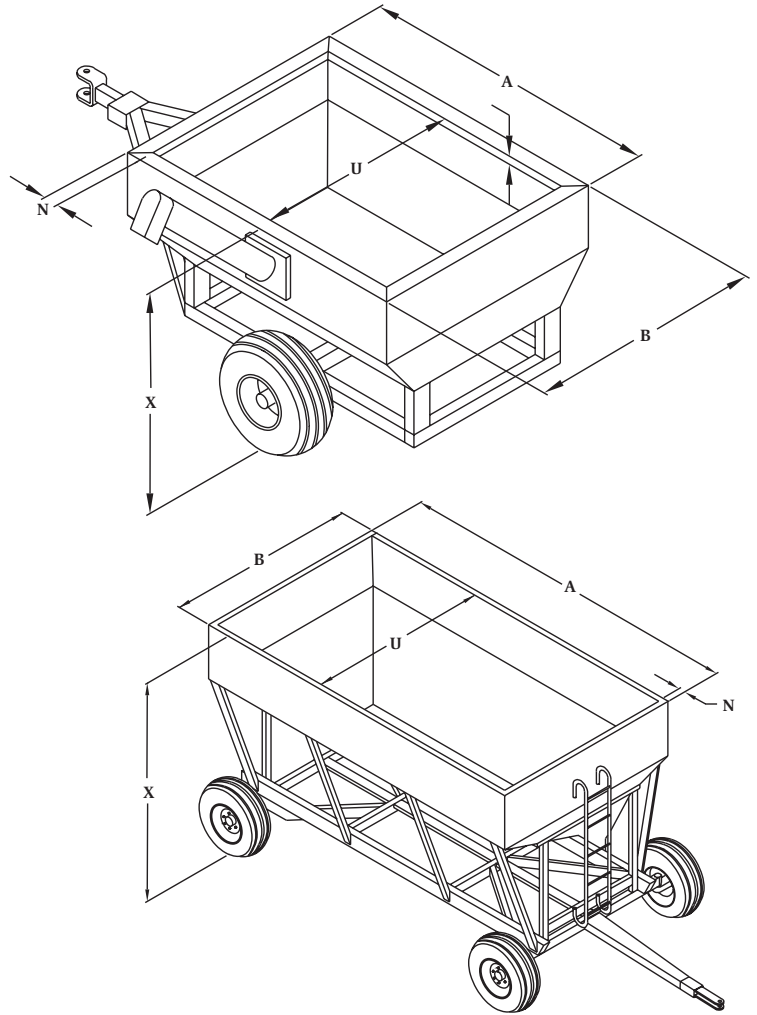


FIGURE 1

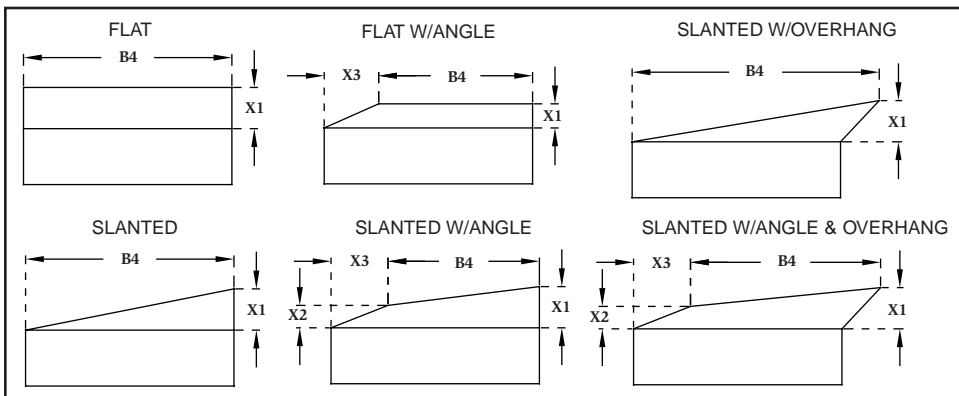
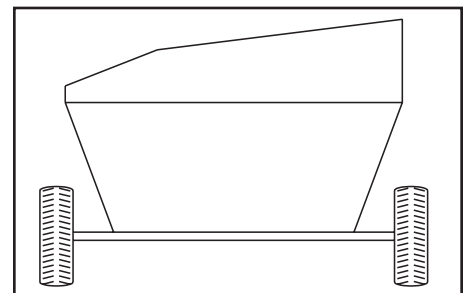


FIGURE 2



NOTE: If ordering galvanized caps, make sure box is flat across top. Figure 2 shows a box with an uneven angle across the top. Galvanized caps will NOT fit this box; you must order fabric caps instead.