

CABLE-LOK™ FOR GRAIN CARTS



AGRICULTURE DIVISION



SMOOTH AND EASY TARP OPERATION

A007FL-0315

Cable-Lok™ is the smoothest move in tarping – from open to closed, simply and easily. Spring-loaded tension with cable attachment keeps your tarp tight, even in moderate wind conditions. It covers boxes up to 24 feet long and 12 feet wide.

Durable nylon spools and a galvanized steel cable offer a unique blend of strength and endurance, to keep the system operating smoothly year after year. Ratchets let you adjust tarp tension at install; consider an upgrade to the 42-inch cable for added convenience.

A non-collapsible, reinforced flexible hose assembly moves the tarp spool freely and easily across the end caps. The telescoping/indexing crank arm provides optimum adjustment – a nylon sleeve bushing lets you quickly change arm length and the indexing handle adjusts to 6 angles set by 60-degree increments. Its easily disassembled 2-piece design makes for economical replacement.

Key Features: No-Weld Install, Easy-Off Tarp Stops, Galvanized Bows/Brackets, Galvanized End Caps, 1" Ridge Strap, Galvanized Telescoping/Indexing Crank, Telescoping Nylon Crank Retainer, Spool w/Galvanized Cable and Zinc-Plated Ratchets, Aluminum Roll Tube w/Channeled Tarp Attachment, Galvanized Fixed Tube, 18-Oz. Vinyl Tarp.



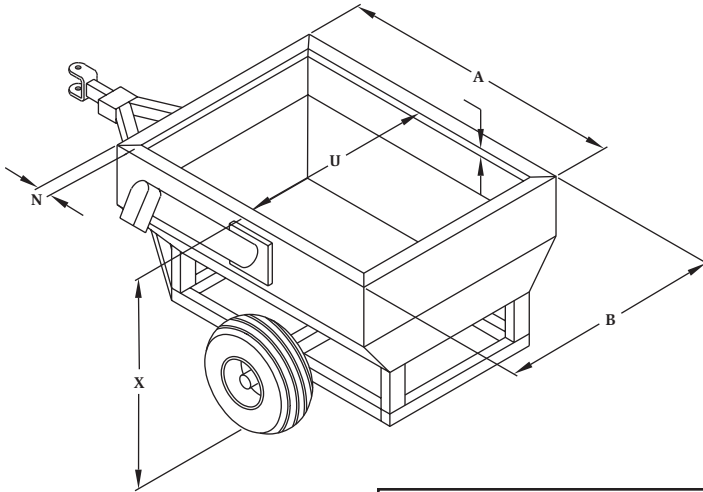
For more information, contact:

www.shurco.com

CABLE-LOK™ BOX DETAILS | For Grain Carts and Wagons

Cable-Lok™ tarps are custom made to order and are nonreturnable. The correct measurements are essential for proper tarp fit. Please provide all requested information or your order may be delayed.

Please do not use universal box sizes; always use the actual physical measurements. Box size and finished tarp size are not the same.



MAKE _____ MODEL _____ YEAR _____

A _____ UPPER OUTSIDE BOX LENGTH

B _____ UPPER OUTSIDE BOX WIDTH

Front _____ Center _____ Rear _____

N _____ TOP RAIL WIDTH

U _____ INSIDE BOX WIDTH

X _____ OUTSIDE BOX HEIGHT FROM GROUND

LIP IN

LIP OUT

FRONT CONFIGURATION | *Must answer this*

VERTICAL

SLOPED

BOX EXTENSION STYLE

FLAT SLANTED FLAT W/ANGLE

SLANTED W/ANGLE SLANTED W/OVERHANG

SLANTED W/OVERHANG AND ANGLE

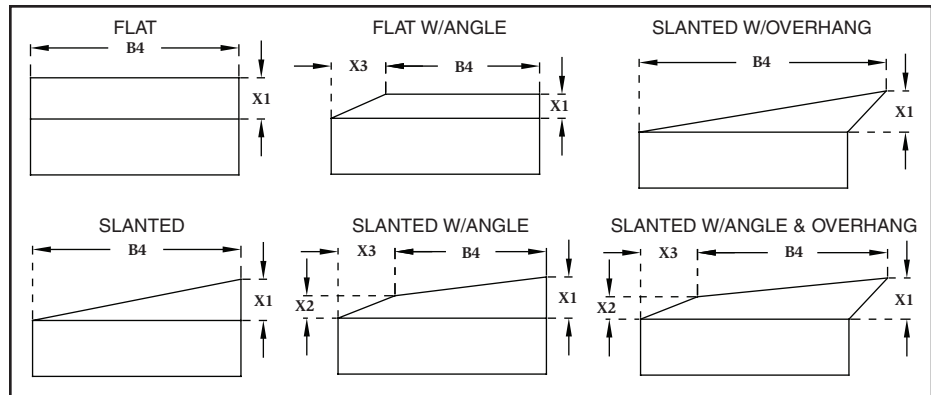
BOX EXTENSION DIMENSIONS

B4 _____ EXTENSION WIDTH

X1 _____ EXTENSION HEIGHT DRIVER SIDE

X2 _____ EXTENSION HEIGHT PASSENGER SIDE

X3 _____ LOWER EXTENSION ANGLE



REPLACEMENT TARP BOX DETAILS

TYPE OF TARP BEING REPLACED

CABLE-LOK™ W/CHANNEL

OTHER W/CHANNEL OTHER BRAND _____

OTHER W/RIVETS No. Rivets _____ Outer Hole Distance _____

_____ FINISHED SEWN TARP LENGTH

_____ FINISHED SEWN TARP WIDTH

TYPE OF CAP MEASURED

FACE MOUNT TOP MOUNT

CR _____ END CAP RISE

CD _____ END CAP DEPTH Front _____ Rear _____

_____ OUTSIDE END CAP TO END CAP LENGTH

_____ BOX WIDTH

_____ BOX LENGTH

