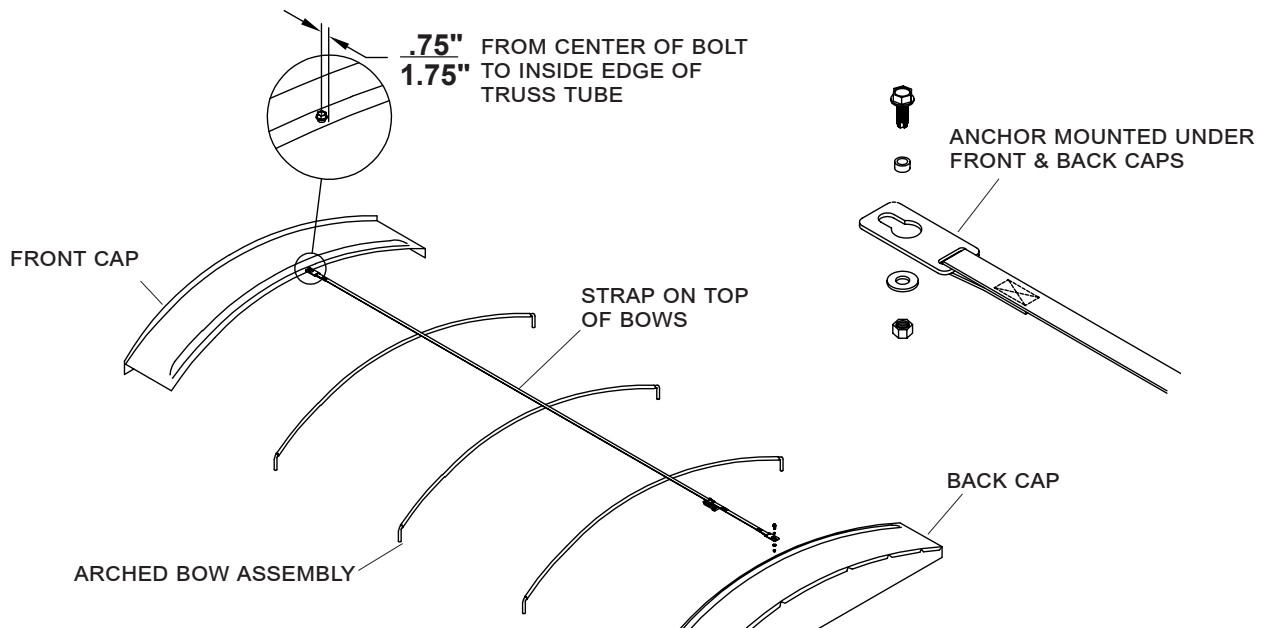


Installation Instructions - Ridge Strap

P/N 1101706 Rev. B



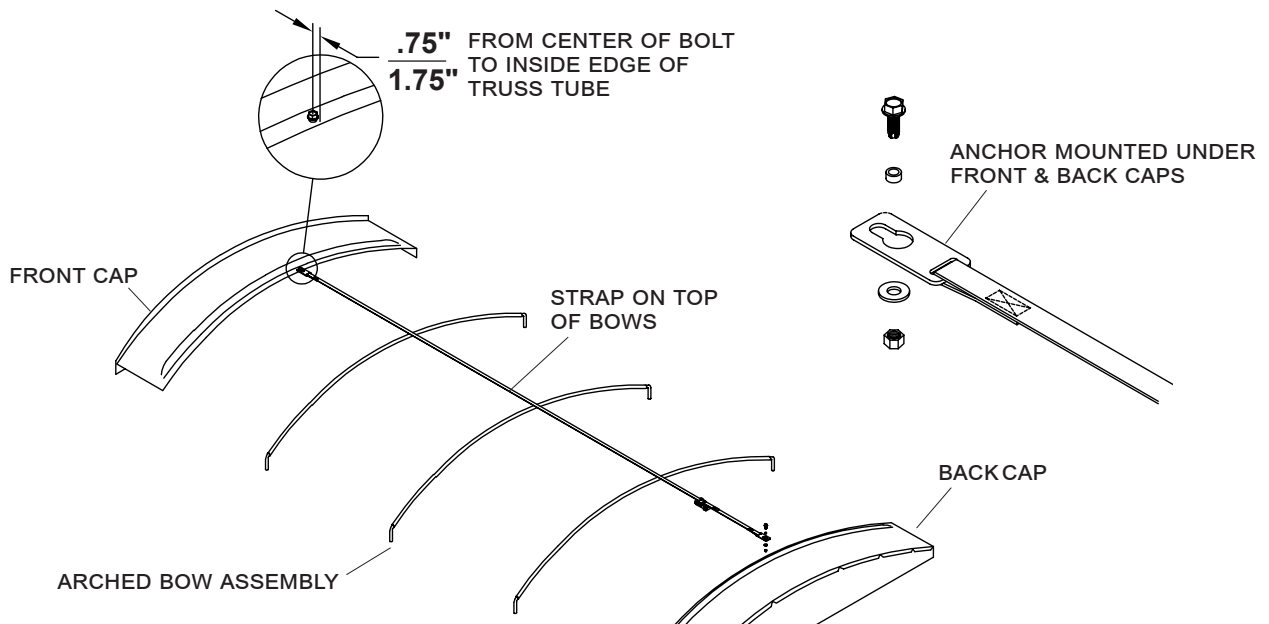
2309 SHURLOCK STREET
YANKTON, SD 57078-0713
PH. 866.748.7435 • FAX 605.665.0501



SHURCO HELP LINE
CALL: 866.748.7435
SHURCO.com

Installation Instructions - Ridge Strap

P/N 1101706 Rev. B



2309 SHURLOCK STREET
YANKTON, SD 57078-0713
PH. 866.748.7435 • FAX 605.665.0501



SHURCO HELP LINE
CALL: 866.748.7435
SHURCO.com

1107068
 1108104

1113647
 1113646

1101685
 1101686
 1101687

1107068
 1108104

1113647
 1113646

1101685
 1101686
 1101687