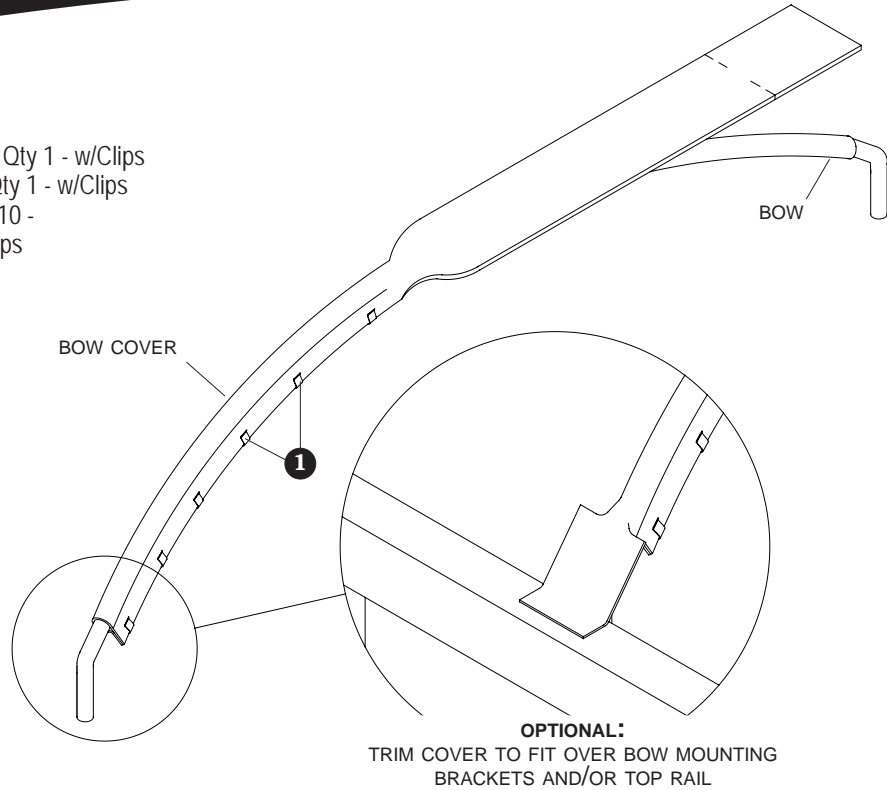


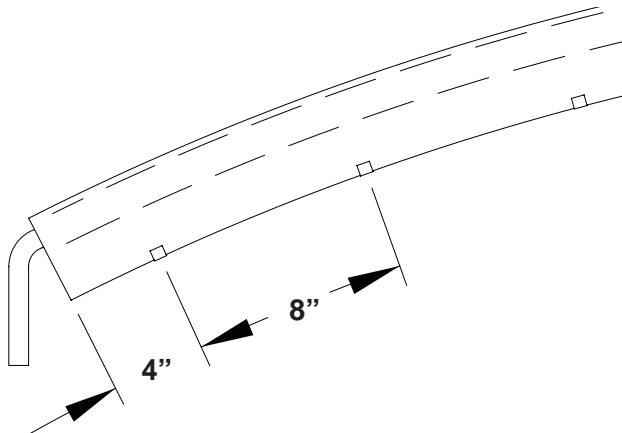
Item	Part #	Description
	1106732	Standard Bow Cover Kit - Qty 1 - w/Clips
	1107177	X-Wide Bow Cover Kit - Qty 1 - w/Clips
	1107158	Bulk Bow Cover Kit - Qty 10 - w/100' Bow Cover/132 Clips
1.	1701234	Bow Cover Clip



STEP 1: Determine distance over top of bow, then cut bow cover with utility knife or scissors to fit bow as desired.

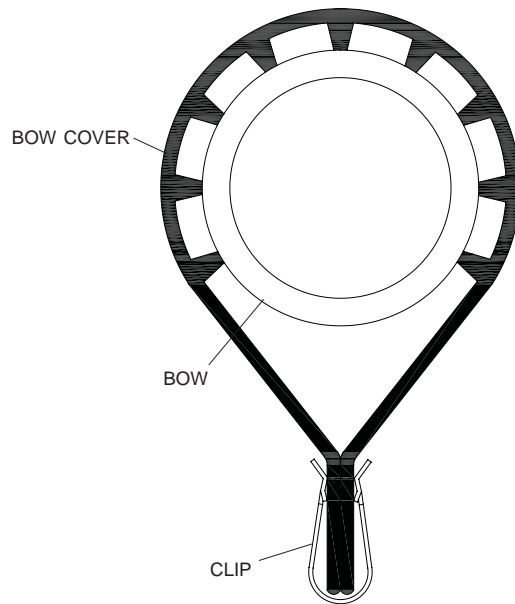
TIP - Shur-Co.[®] bow covers are pre-cut extra long. As an option, you may trim your bow covers to overlap the top rail as shown, and protect your tarp from wearing on the top rail and bow brackets.

STEP 2: Place cover over bow. Line up lower edges of cover under bow. Install first bow clip about 4" from edge. Install remaining clips along lower edges of bow cover about 8" apart, working around obstructions.



STEP 3: Repeat procedure for each bow.

CROSS SECTION:



NOTE: Remove clips with needle nose pliers or screw driver.

