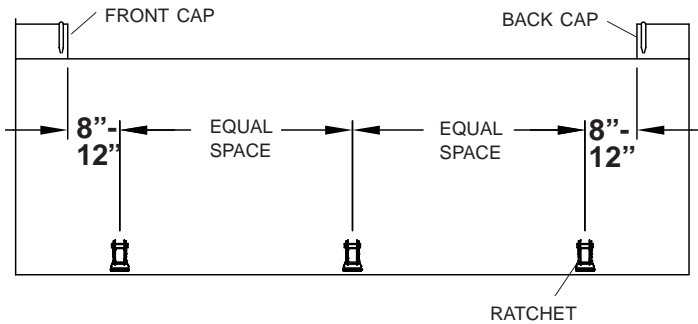


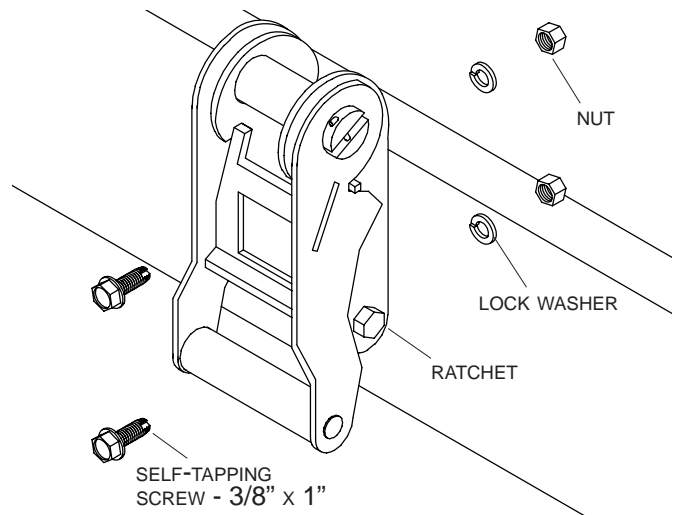
Item	Part #	Description
1	1701354	Plastic U-Clamp
2	1700398	Self-Drilling Screw - 1/4" x 3/4"
3	1700682	Box Hook - 5/16" Holes
4	1700408	Hex Nut - 1/4"
5	1700381	Cap Screw - 1/4" x 1"
6	1700436	Lock Washer - 1/4"
7	1106774	Strap Assembly - 9'
8	1100470	Strap Assembly - 5'
9	1107223	Wire Hook Strap Assembly - 7'
10	1107222	Wire Hook Strap Assembly - 5'
11	1700407	Hex Nut - 3/8"
12	1700434	Lock Washer - 3/8"
13	1100457	Ratchet - 2"
14	1700400	Self-Tapping Screw - 3/8" x 1"
15	1106754	Web Assembly w/Hook
16	1100469	Rope - 32'



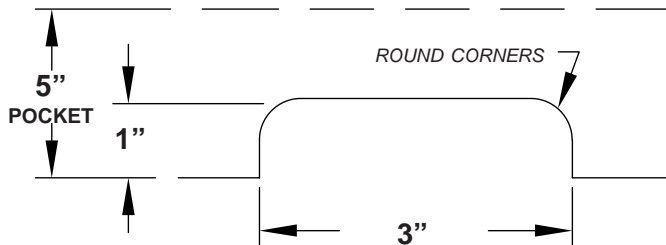
STEP 1: Ratchets: Position ratchet 8" to 12" from front cap at convenient operating height. Locate second ratchet 8" to 12" from back cap at same height. Equally space remaining ratchets.



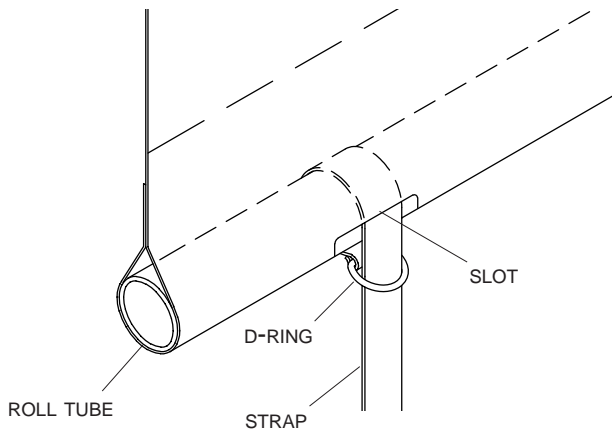
STEP 2: Mark and drill 5/16" holes. Fasten with 3/8" x 1" self-tapping screws, lock washers and nuts.



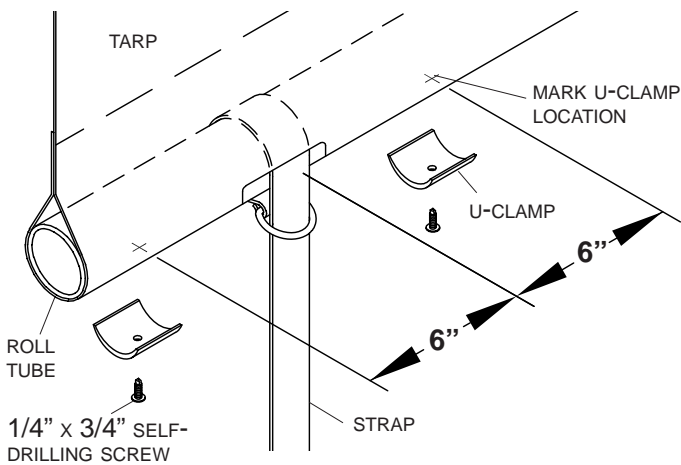
STEP 3: Tarp Slots: Cut 1" x 3" slots on bottom edge of 5" pocket on roll tube side of tarp, directly above ratchets. Round corners on all slots with scissors.



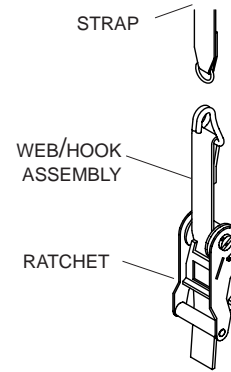
STEP 4: Straps: Thread straps through slots, around roll tube and through D-ring. Let hang.



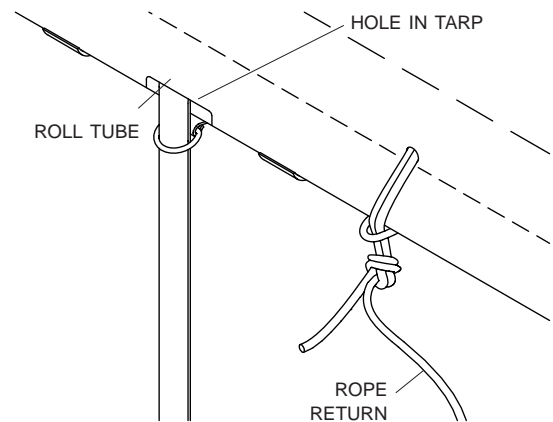
STEP 5: U-Clamps: Position tarp flush with front end of roll tube. Square up tarp along roll tube to match length of tarp on fixed tube. Mark U-clamp locations 6" from each side of straps. Install U-clamps with 1/4" x 3/4" self-drilling screws.



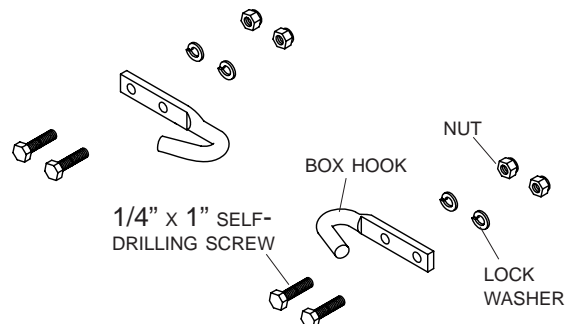
STEP 6: Ratchet Web/Hook Assemblies: Hook web/hook assembly onto strap. Insert free end of web through ratchet. Rotate ratchet handle to tighten.



STEP 7: Roll Return Rope: Melt hole in tarp at center of box. Tie loop in end of roll return rope. Thread loop through hole and insert loose end of rope through loop.



STEP 8: Box Hooks: Locate box hooks where they will not interfere with ratchet operation. Mark and drill 3/16" holes and fasten with screws, lock washers and nuts.



CAUTION
Close tarp and secure ratchets before travel.