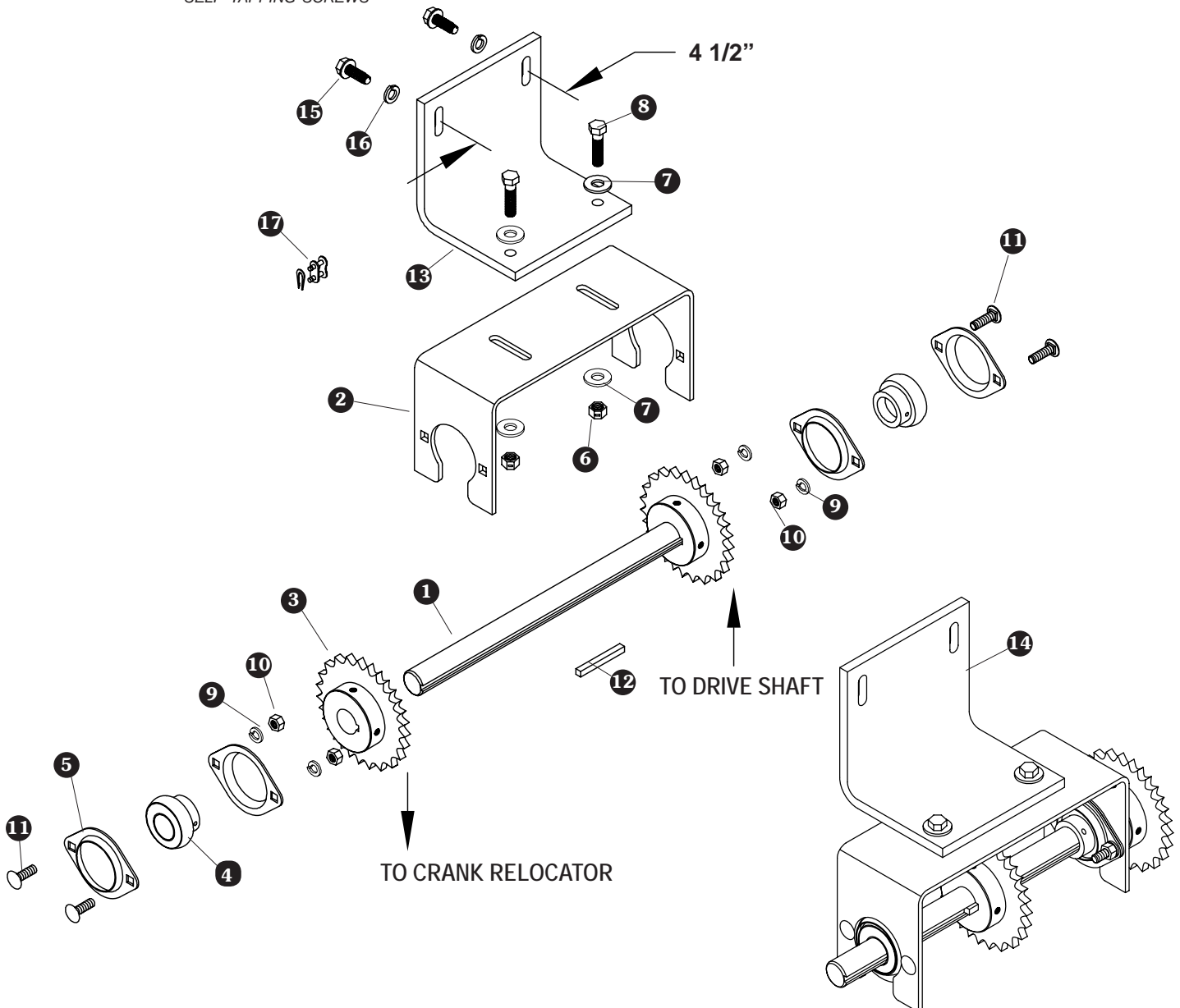


The jack shaft is designed to reposition the crank relocater from the side of the truck box to the front of the box.

DRILL 5/16" HOLES FOR SELF-TAPPING SCREWS



Item	Part #	Description
1.	1110721	Sprocket w/Shaft
2.	1110720	Shaft Base Plate Bracket
3.	1110724	Sprocket w/Hub - 27 Tooth
4.	1702594	Radial Ball Bearing
5.	1701054	Bearing Flange
6.	1700418	Centerlock Nut - 3/8"
7.	1700429	Flat Washer - 3/8"
8.	1701434	Cap Screw - 3/8" x 1 1/2"

Item	Part #	Description
9.	1700433	Lock Washer - 5/16"
10.	1700411	Hex Nut - 5/16"
11.	1701522	Carriage Bolt - 5/16" x 1"
12.	1701588	Key - 1/4"
13.	1110719	Jack Shaft Bracket
14.	1110723	Jack Shaft Kit
15.	1700400	Self-Tapping Screw - 3/8" x 1"
16.	1700434	Lock Washer - 3/8"
17.	1701057	Chain Connector Link