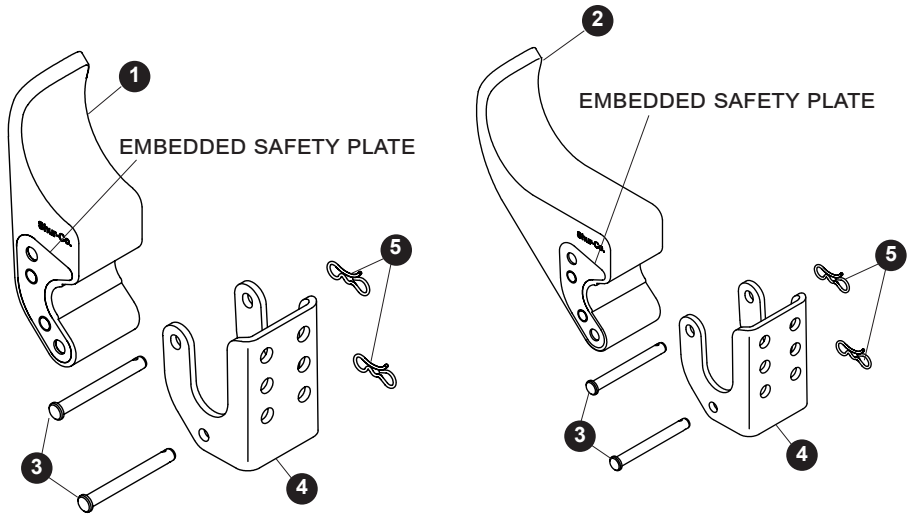
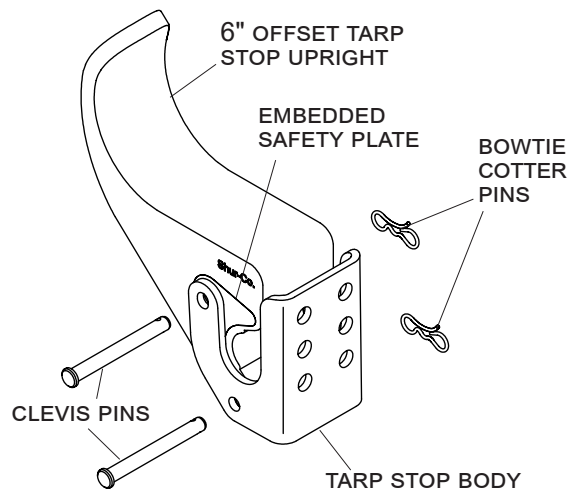
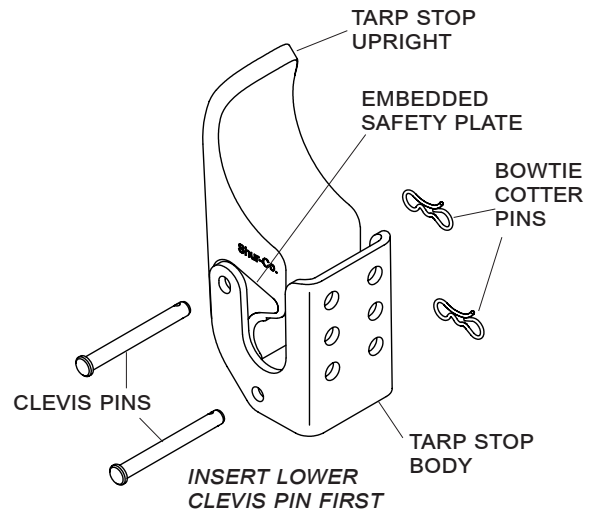


Item	Part #	Description
1.	1115216	Easy-Off Flexible Tarp Stop Upright w/Plate
2.	1115217	Easy-Off Flexible Tarp Stop Upright - 6" Offset w/Plate
3.	1703604	Clevis Pin - 5/16" x 2 7/8"
4.	1100833	Easy-Off Tarp Stop Body
5.	1704380	Bowtie Cotter Pins



- STEP 1:** Remove tarp stop upright from existing easy-off tarp stop assembly.
- STEP 2:** Locate and align flexible tarp stop upright with safety plate into tarp stop body.
- STEP 3:** Insert clevis pins (lower pin first) through tarp stop body, flexible tarp stop upright and second hole in tarp stop body. Secure with bowtie cotter pins.*

*See Owner's Manual for your tarping system to install Easy-Off Flexible Tarp Stop assembly on the trailer.



⚠ WARNING

Inspect the tarp stop before installing on trailer; a safety plate must be embedded into one side of the tarp stop. Installing a tarp stop without a safety plate could result in death or serious injury.