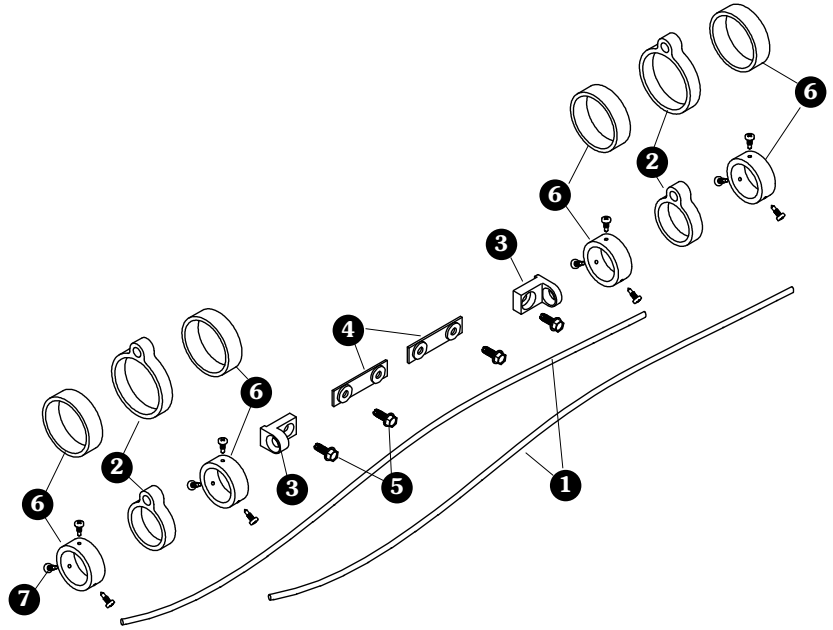
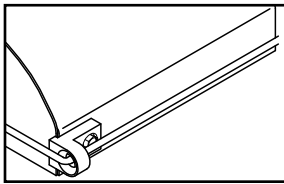


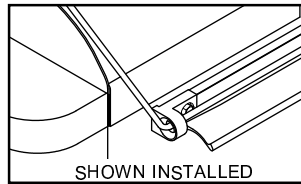
Item	Part #	Description
	1114951	Stretch Cord Roll Return Kit
	1125583	Stretch Cord Roll Return Kit - 3"
1.	1100169	Stretch Cord - 138"
2.	1114947	Roll Tube Eye
	1705552	Roll Tube eye - 3"
3.	1703445	Stretch Cord Eye Bracket
4.	1114948	Stretch Cord Tie-Down Strap
5.	1700400	Self-Tapping Screw - 3/8" x 1"
6.	1704352	Rear Arm Retaining Collar
	1122256	Rear Arm Retaining Collar - 3"
7.	1705198	Self-Drilling Screw - Pan Hd. - 1/4" x 1"



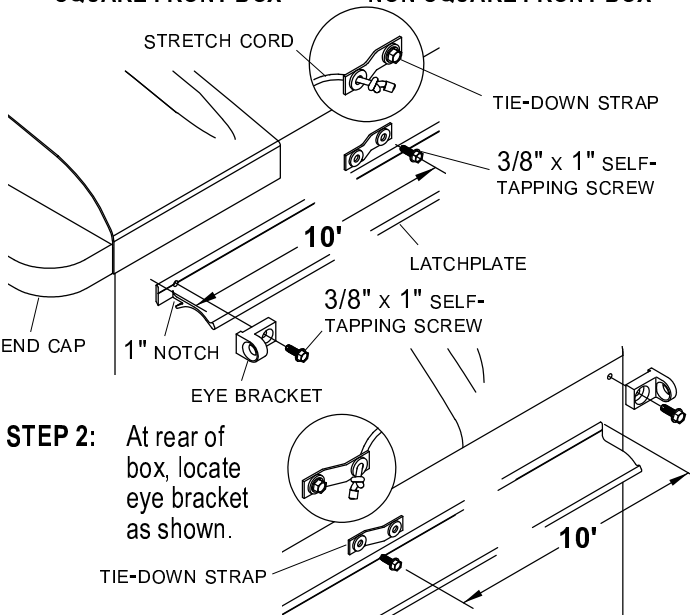
**STEP 1:** Roll tarp open against tarp stops. For square front boxes without obstructions on front drop, locate eye bracket on end cap as shown below left. For non-square front boxes, notch latchplate 1". Align eye bracket with edge of notch on latchplate.



**SQUARE FRONT BOX**



**NON-SQUARE FRONT BOX**

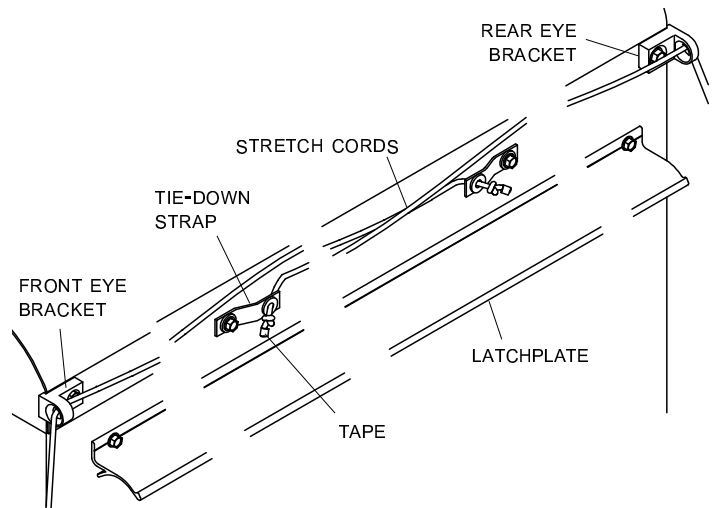


**STEP 2:** At rear of box, locate eye bracket as shown.

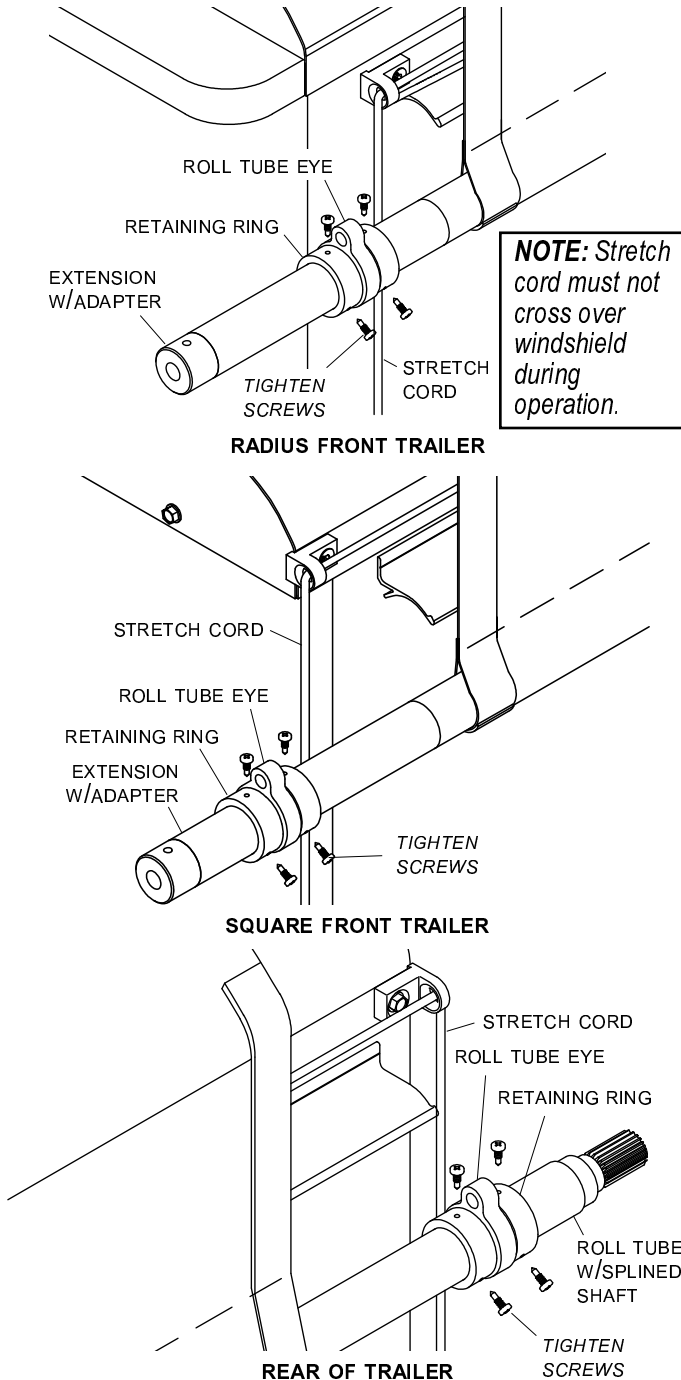
**STEP 3:** Using eye brackets as guides, mark and drill 5/16" hole. Secure eye brackets with 3/8" x 1" self-tapping screws.

**STEP 4:** Mount tie-down straps 10' back from outer edges of latchplate. Drill 5/16" holes and fasten with 3/8" x 1" self-tapping screws.

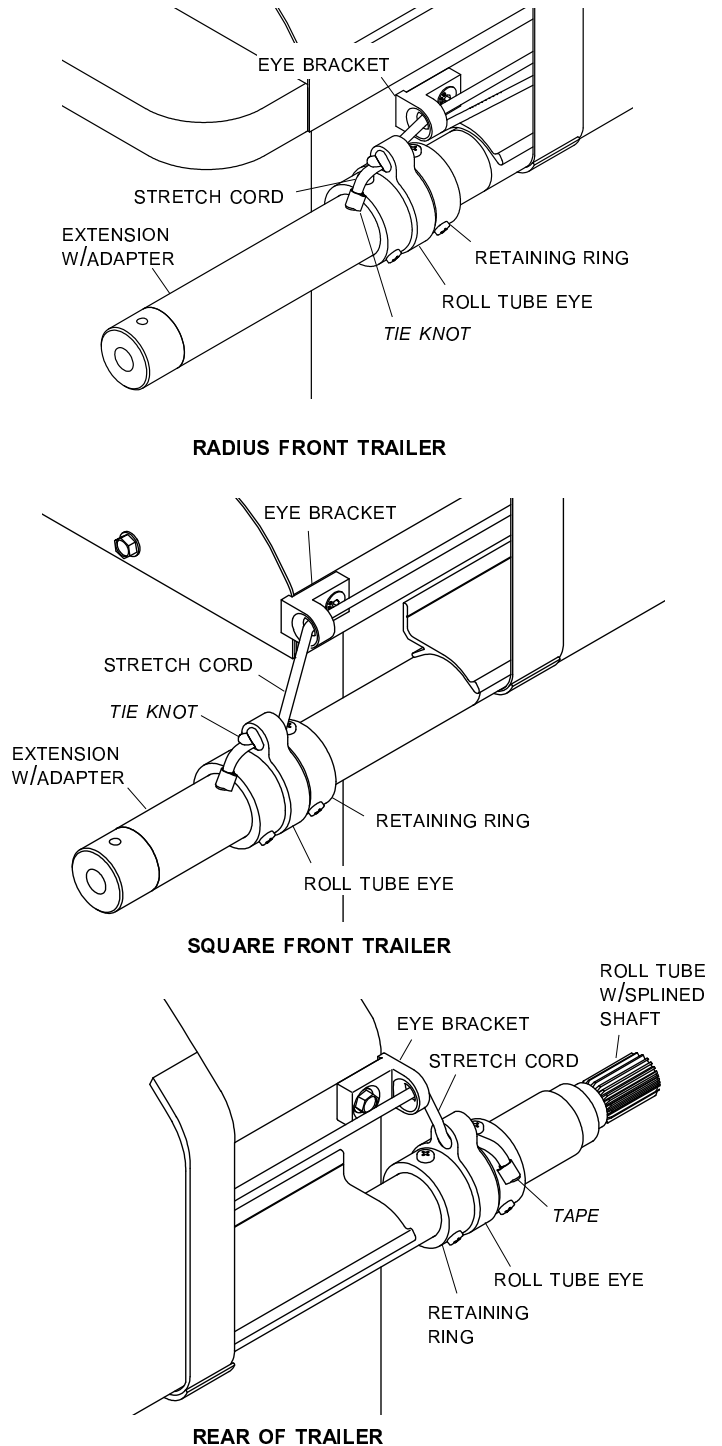
**STEP 5:** Lead first stretch cord through front eye bracket, then through grommet on rear tie-down strap. Lead second stretch cord through rear eye bracket, then through front tie-down strap. Tie knots in stretch cords at tie-down straps to secure. Trim ends of stretch cords and wrap with tape to prevent fraying.



**STEP 6:** Roll tarp closed. Let tarp, roll tube and stretch cords hang down. Slide roll tube eyes and retaining collars onto each end of roll tube and align eyes approximately 1" from stretch cords, toward outside of trailer. Space retaining rings about 1/8" from each side of roll tube eyes. Tighten self-drilling screws to secure retaining rings.



**STEP 7:** Roll tarp closed tight under latchplate and pull stretch cords through roll tube eyes to create tension. Tie permanent knots in cords at front and rear of roll tube.



**STEP 8:** Roll tarp open and closed to make sure roll tube returns correctly. Adjust tension in stretch cords as needed. Trim end of stretch cord and wrap with tape to prevent fraying.