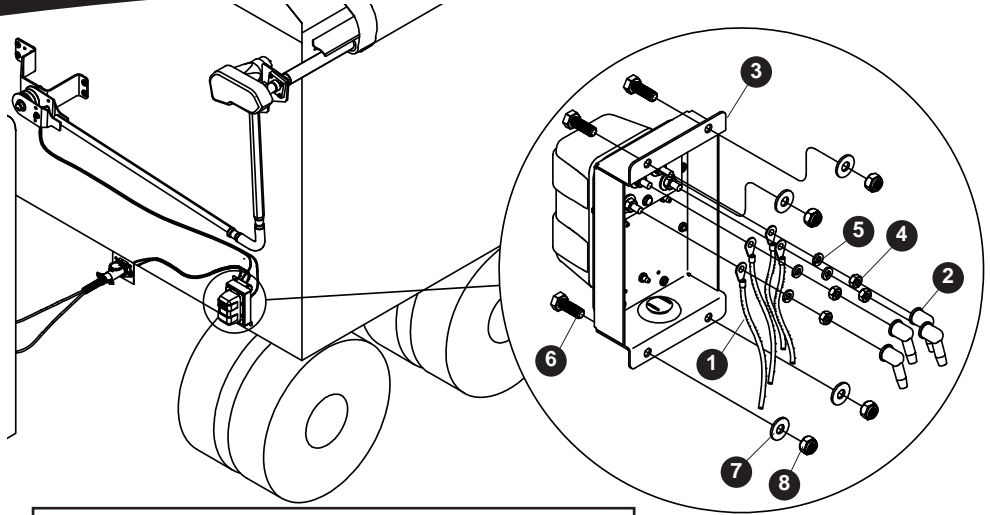
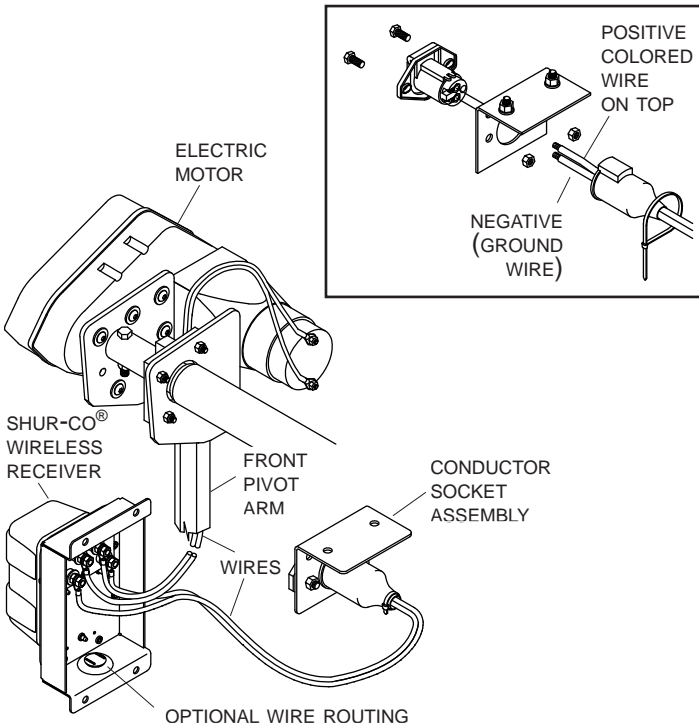


See owner's manual for complete wiring instructions.



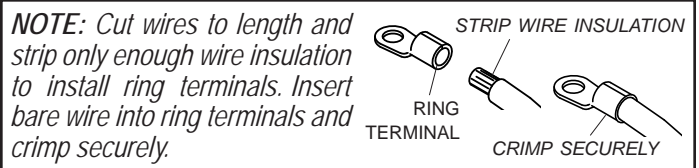
Item	Part #	Description
1.	1702707	Ring Terminal - 6 Ga. 1/4" Stud
2.	1704330	Rubber Insulating Boot
3.	1118257	Shur-Co® Wireless Receiver
4.	1700408	Hex Nut - 1/4"
5.	1700436	Lock Washer - 1/4"
6.	1702926	Cap Screw - 5/16" x 7/8"
7.	1700428	Flat Washer - 5/16"
8.	1700419	Nylon Lock Nut - 5/16"

**NOTE:** Use dielectric grease (P/N 1704378) to prevent corrosion on terminals.



**STEP 1:** Identify 6-ga. wire running from electric motor. For the 3500 system, route wire through front pivot arm; for all other systems, route wire as desired. Insert end of this wire through rubber boots, then crimp 1/4" ring terminals onto wire ends. Remove nuts and lock washers from back of receiver. Place positive wire on upper orange post and negative wire on upper black post. Secure lock washers and hex nuts. Coat with dielectric grease and install rubber boots over ring terminals.

**STEP 2:** Run 6-ga. wire from battery/conductor socket to wireless receiver. Insert end of wire through rubber boots, then crimp 1/4" ring terminals onto wire ends. Place positive wire on lower orange post and negative wire on lower black post. Secure with lock washers and hex nuts. Coat with dielectric grease and install rubber boots over ring terminals.



**NOTE:** Cut wires to length and strip only enough wire insulation to install ring terminals. Insert bare wire into ring terminals and crimp securely.

### Operation

**A) Open tarp:** Check motor direction by activating switch to "OPEN". If switch is running system backwards, change wire leads on motor to opposite connections.

**B) Close trap:** Push switch to "CLOSE" and hold. Observe trap and release switch when hopper door is fully closed.

**C) Open trap:** Push switch to "OPEN" and hold. Observe trap and release switch when hopper door is fully open.

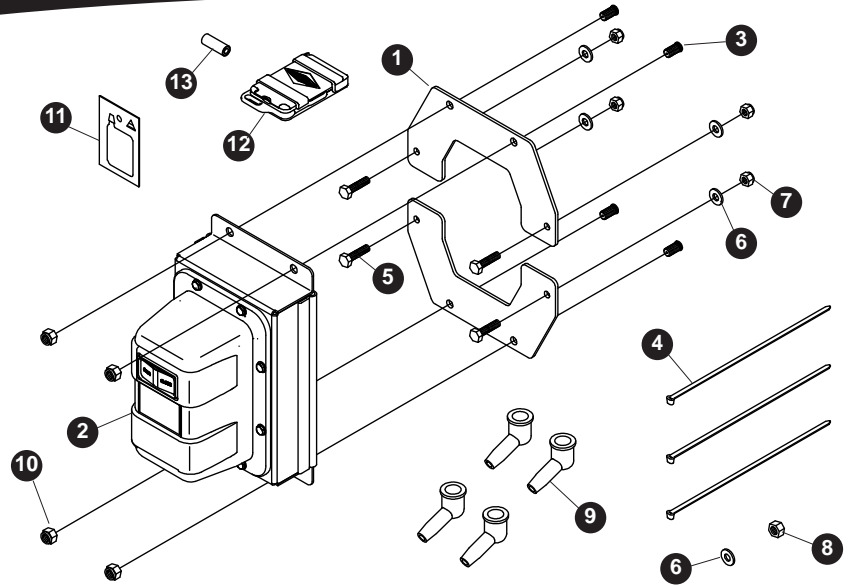
**NOTE:** Release switch at end of cycle or modified-reset circuit breaker will trip. After breaker resets, switch will activate motor again. To reduce unnecessary strain on tarp components, release switch at end of each cycle.

**NOTE:** Pressure Wash. The receiver may be pressure washed, but keep nozzle at least 3' from system while spraying.



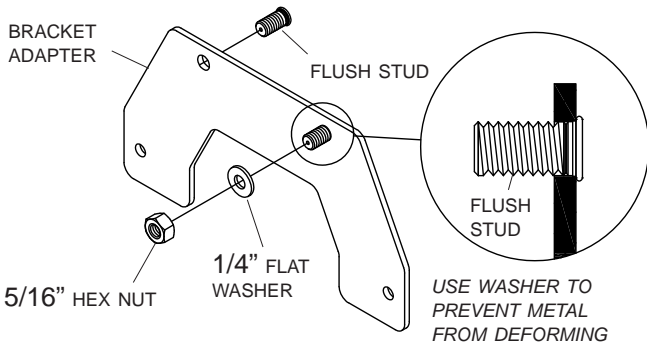
USE DIELECTRIC GREASE TO PREVENT CORROSION ON TERMINALS

Item	Part #	Description
1.	1118304	Bracket Adapter
2.	1118257	Shur-Co® Wireless Receiver
3.	1704344	Flush Stud
4.	1703231	Cable Tie
5.	1700381	Cap Screw - 1/4" x 1"
6.	1700427	Flat Washer - 1/4"
7.	1701543	Nylon Lock Nut - 1/4"
8.	1700411	Hex Nut - 5/16"
9.	1704330	Rubber Insulating Boot
10.	1700419	Nylon Lock Nut - 5/16"
11.	1704378	Dielectric Connector Protector - .14 oz.
12.	1118437	SMARTransmitter®
13.	1704597	SMARTransmitter® Battery (high capacity)



**STEP 1:** Insert flush studs through holes shown in bracket adapters. Slide 1/4" washer and 5/16" hex nut (not lock nut) over flush stud. Tighten nut onto each flush stud, tightening studs into bracket adapters until stud heads are nearly flush with adapters. Remove and discard washer and nut.

**STEP 3:** Align holes in bracket adapters with existing holes in trailer. Fasten wireless receiver assembly to front of trailer with 1/4" x 1" cap screws, flat washers and nylon lock nuts.



**STEP 2:** Fasten wireless receiver to bracket adapters with 5/16" nylon lock nuts.

