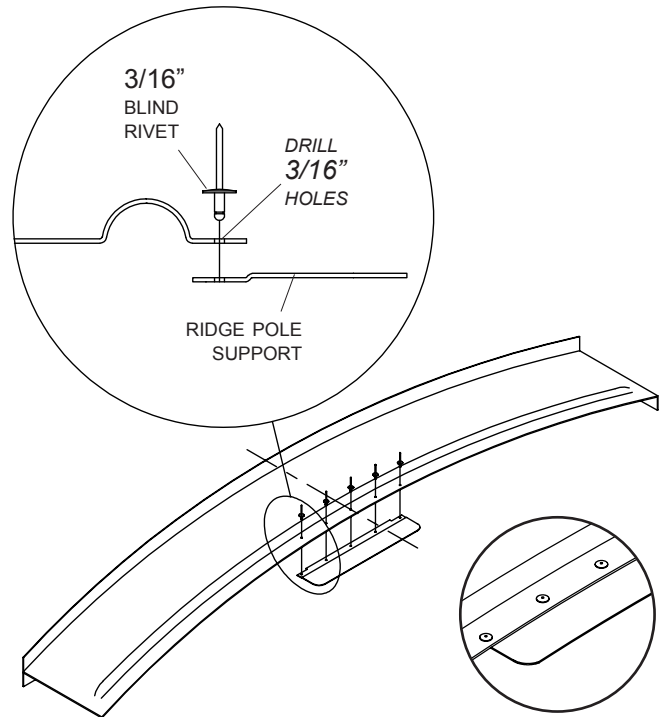
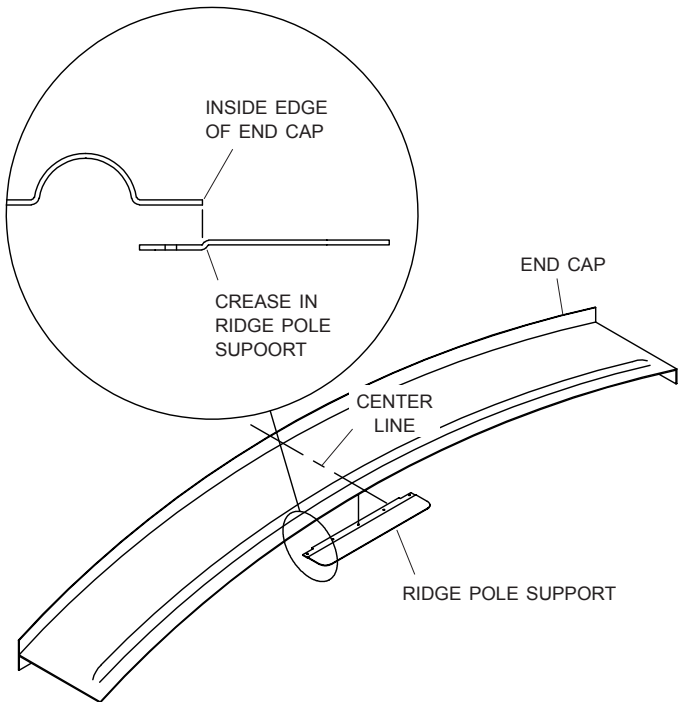


Item	Part #	Description
1.	1120317	Ridge Pole Support - Cap - Bottom Side
2.	1700473	Blind Rivet - 3/16" x 1/4"

STEP 1: Center ridge pole support on edge of end cap, aligning crease in ridge pole support with inside edge of cap.

STEP 2: Using holes in ridge pole support as a guide, drill five 3/16" holes through cap. Fasten with 3/16" x 1/4" blind rivets.



RIVETS SHOWN INSTALLED