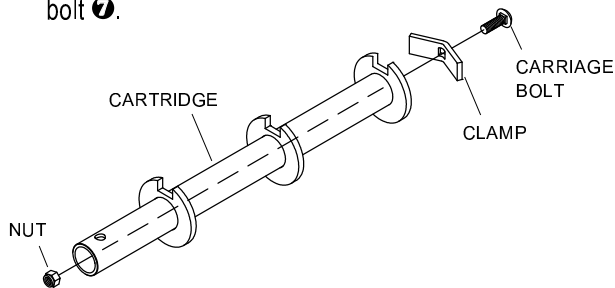
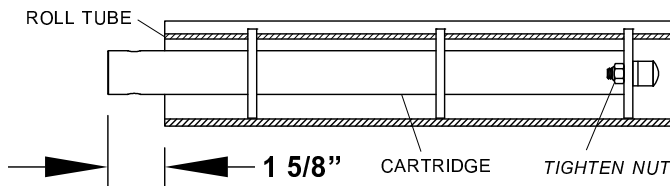


Item	Part #	Description
1.	1121040	Roll Tube Cap - 3" - Spline
2.	1121041	Roll Tube Cap - 3" - Bungee
3.	1121111	Manual Crank Spline - 3" Tube
4.	1121039	Cartridge - 3" Spline End
5.	1704297	Nylon Lock Nut - 5/16"
6.	1118194	Cartridge Clamp
7.	1704237	Carriage Bolt - 5/16" x 1"
8.	1705198	Self-Drilling Screw - 1/4" x 1"
9.	1704264	Cap Screw - 3/8" x 2"
10.	1702668	Top Lock Nut - 3/8"
11.	1114359	Replacement Roll Return Kit

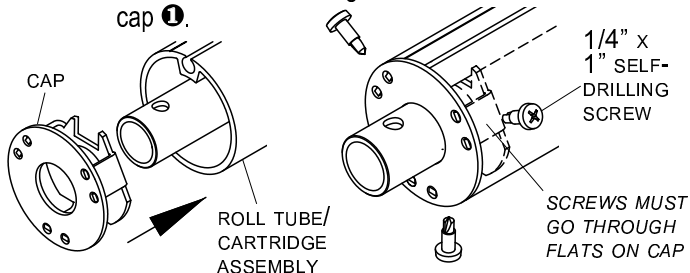
STEP 1: Assemble cartridge **4**, nut **5**, clamp **6** and carriage bolt **7**.



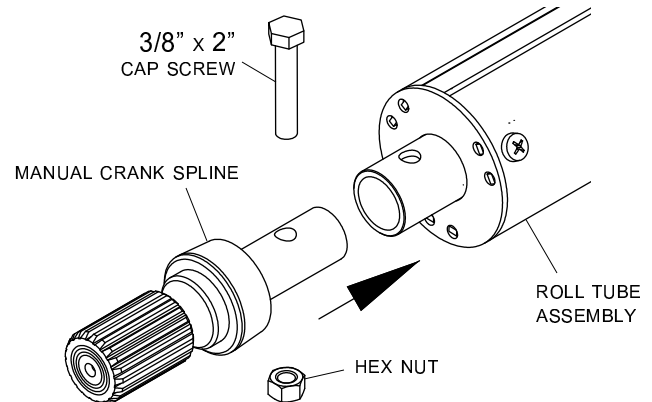
STEP 2: Insert cartridge assembly into roll tube. Position cartridge to extend 1 5/8" past end of roll tube. Tighten nut to 20 ft./lb.



STEP 3: Insert cap **1** into roll tube/cartridge assembly. Fasten three screws **8** through roll tube and flats on sides of cap **1**.



STEP 4: Insert spline **3** into assembly. Secure with screw **9** and nut **10**.



STEP 5: Insert cap **2** into opposite end of roll tube and slide roll return **11** into cap **2**. Fasten three screws **8** through roll tube and flats on sides of cap **2**.

