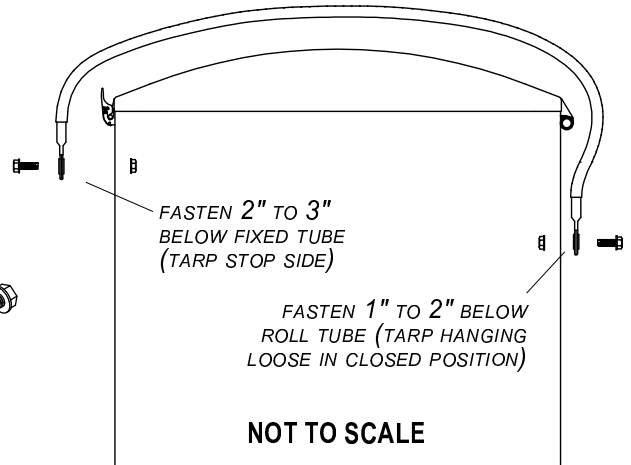
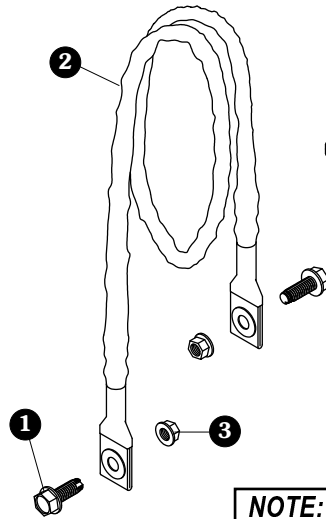


SCAN QR CODE TO VIEW TARP CORD
INSTALLATION VIDEO



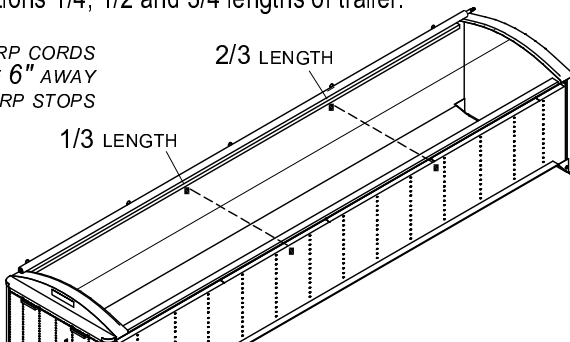
Item	Part #	Description
	1121916	Shur-Lok® Tarp - One Cord Kit
	1704962	Shur-Lok® Tarp - Two Cord Kit
1.	1700400	Self-Tapping Screw - 3/8" x 1"
2.	1704981	Shur-Lok® Tarp Cord
3.	1704371	Flanged Hex Nut - 3/8"

NOTE: Tarp opens and closes freely under Shur-Lok® Tarp Cord.

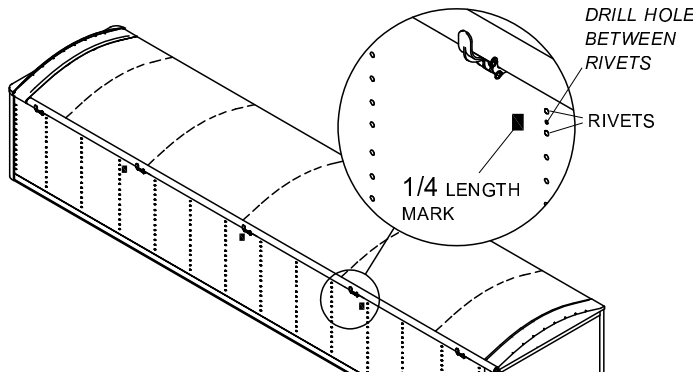
NOTE: Where 3/8" x 1" self-tapping screws ❶ are used, use nuts on interior side, if possible, and drill 13/32" holes. If interior side of trailer is not accessible, self-tapping screws used without nuts require minimum wall thickness of 3/16". Drill 5/16" holes.

STEP 1: Roll tarp open against tarp stops. If installing two tarp cords, mark tarp cord locations 1/3 and 2/3 lengths of trailer. If installing three tarp cords, mark tarp cord locations 1/4, 1/2 and 3/4 lengths of trailer.

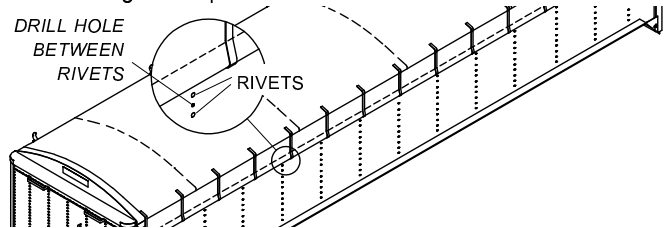
LOCATE TARP CORDS
MINIMUM OF 6" AWAY
FROM TARP STOPS



STEP 2: On tarp stop side of trailer, determine vertical rows of rivets nearest to marks below top rail. Drill hole between two rivets, just below trailer frame.



STEP 3: Roll tarp toward latchplate side and let roll tube hang at its lowest point. On latchplate side, locate row of rivets directly across trailer from selected row of rivets on tarp stop side. Drill hole between two rivets, just below lower edge of tarp.



TIP: To confirm selected rows of rivets are directly across from each other on trailer, count rivet rows from front-passenger side of trailer to selected row. Count an equal number of rows from front-driver side.

STEP 4: Drape Shur-Lok® Tarp Cord ❷ over closed tarp. If interior side of drilled hole is accessible, fasten cord to trailer with screws ❶ and nuts ❸. If interior side of drilled hole is not accessible and wall thickness is at least 3/16", fasten cord with screws ❶.

