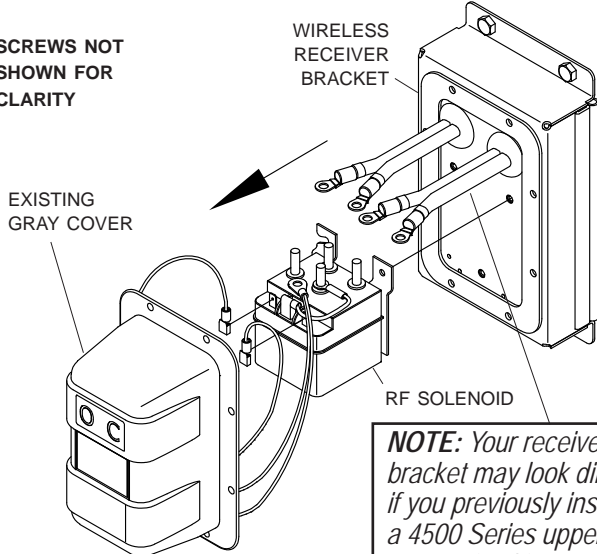


**Item Part # Description**

- 1. 1123480 Solenoid Cover Assembly - 4500 HD Series SMART1+™
- 2. 1704312 Motor-Reversing Solenoid - 3 Pt. Mt.
- 3. 1121641 Receiver Encoder Wire - 6'
- 4. 1703231 Cable Tie - 8"

**STEP 1:** Disconnect power to receiver. Remove existing gray cover and RF solenoid from receiver bracket.

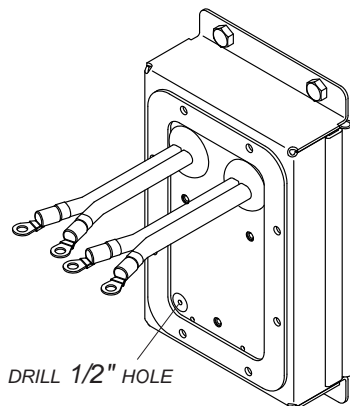
SCREWS NOT SHOWN FOR CLARITY



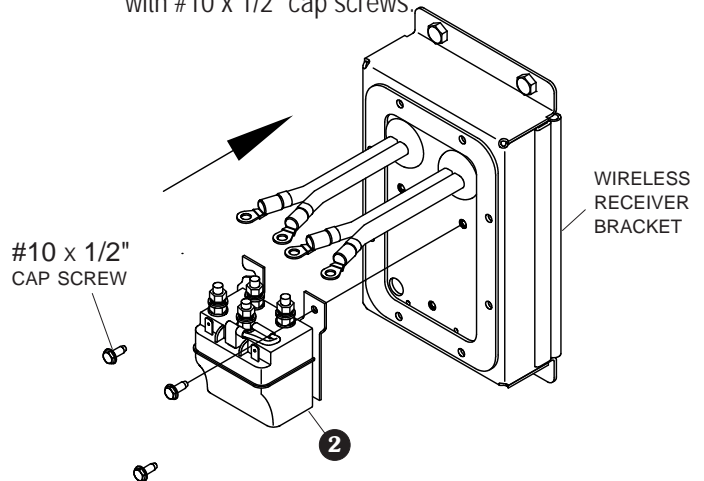
**NOTE:** Your receiver bracket may look different if you previously installed a 4500 Series upper arm conversion kit.

**STEP 2:** Using pilot hole in receiver bracket as guide, drill 1/2" hole in bracket.

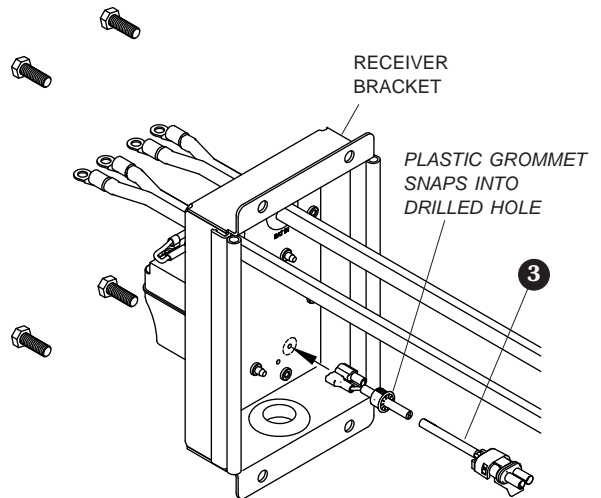
**NOTE:** If your receiver bracket does not have pilot hole, measure 1 5/16" from both bottom edge and left side edge of receiver bracket and mark hole location for drilling.



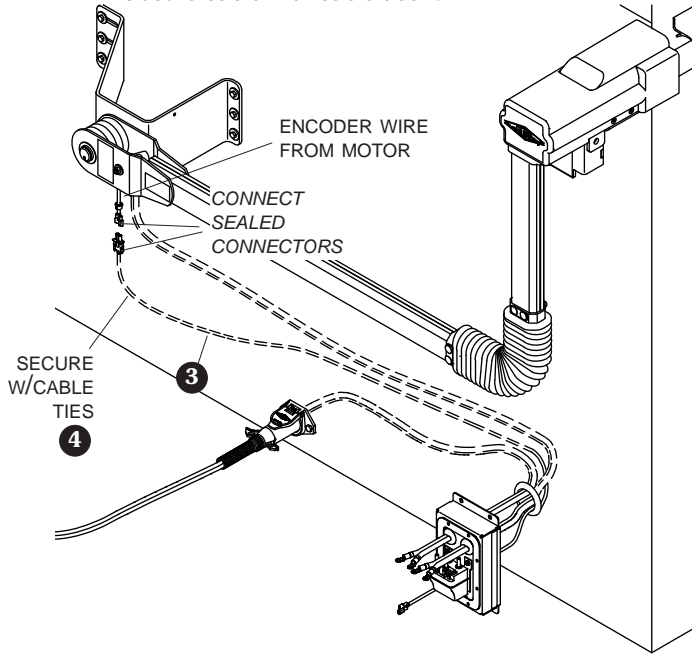
**STEP 3:** Install solenoid 2 onto wireless receiver bracket. Fasten with #10 x 1/2" cap screws.



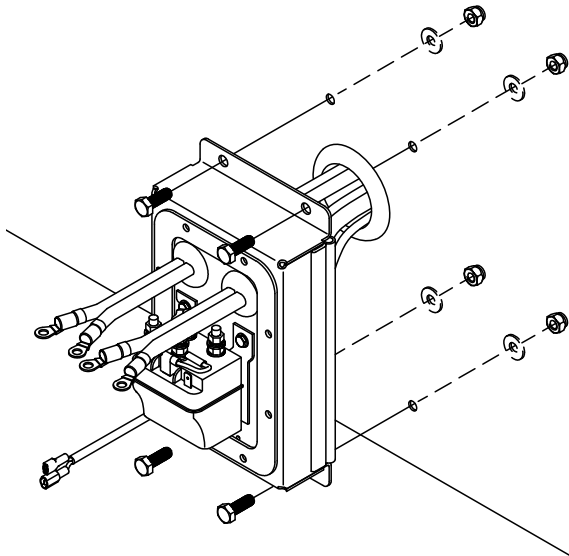
**STEP 4:** Remove receiver bracket from trailer and install encoder wire 3 through drilled hole from back side of bracket. Feed one connector at a time through drilled hole.



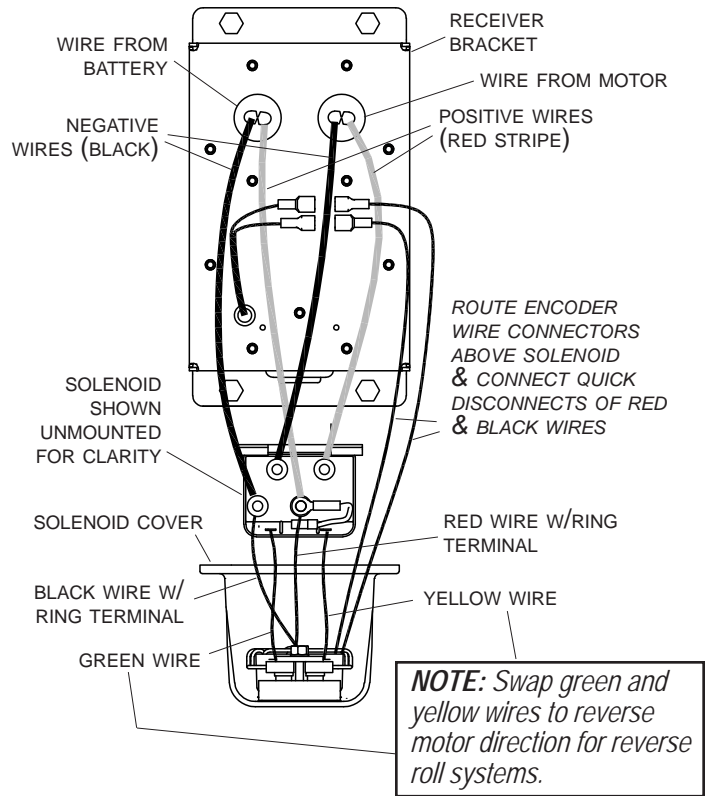
**STEP 5:** Route encoder wire ③ from receiver to encoder wire from motor and connect sealed connectors together. Secure cable with cable ties ④.



**STEP 6:** Remount receiver bracket to trailer.



**STEP 7:** Connect wires from receiver bracket to solenoid and from gray solenoid cover to solenoid as shown below.



**STEP 8:** Reconnect power to receiver. Pair (introduce) SMART1+™ remote to receiver as shown in remote instructions (P/N 1123159) and verify operation.

**STEP 9:** Replace solenoid cover and secure with #10 x 1/2" cap screws.

