



TARPING SYSTEMS & ACCESSORIES

P/N 1124104 Rev. B

# INSTALLATION INSTRUCTIONS

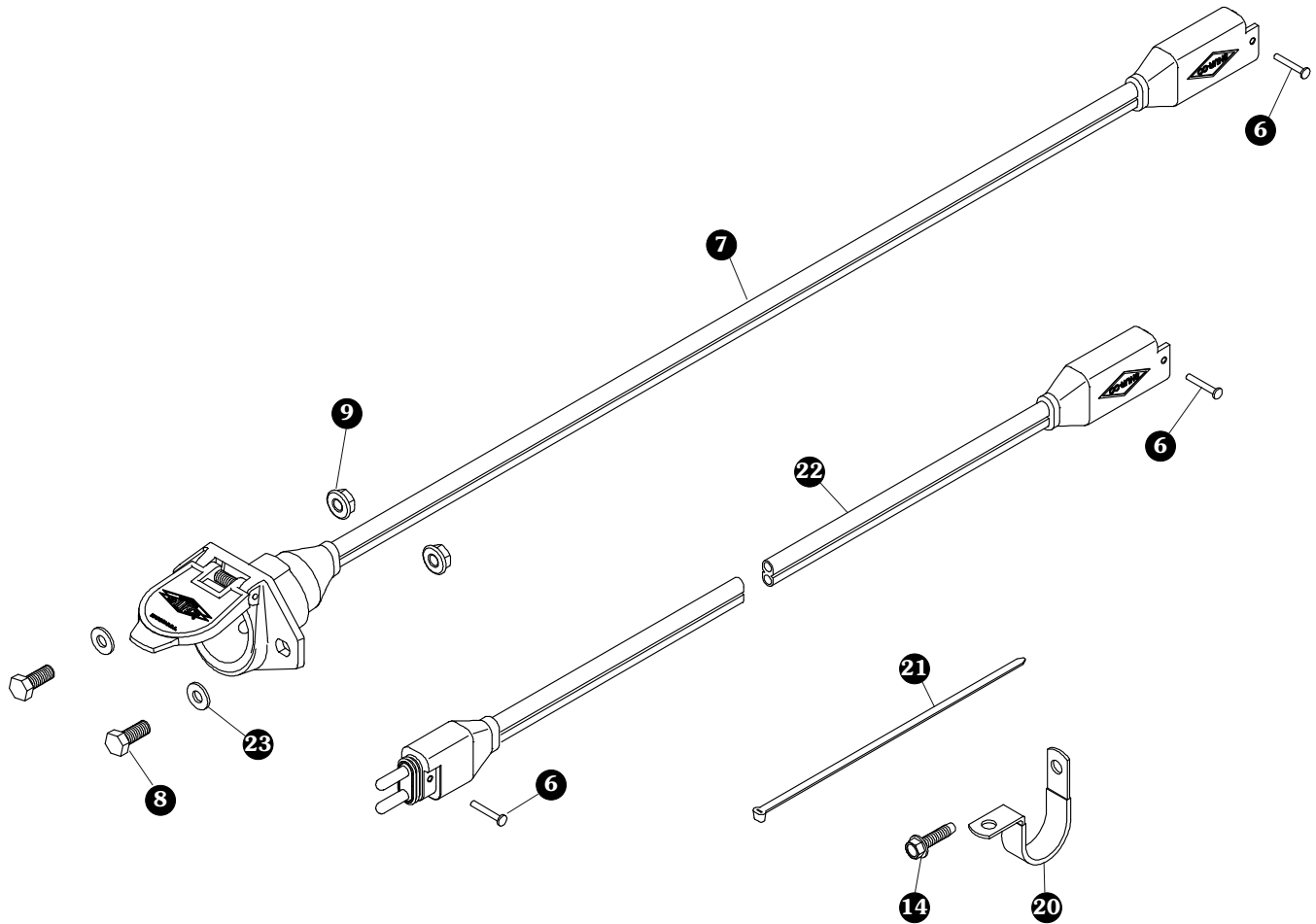


## Wiring One AutoTrap™

*READ BEFORE INSTALLING*

PO BOX 713 ■ 2309 SHUR-LOK STREET ■ YANKTON, SD 57078-0713  
PHONE 1-800-4-SHUR-LOK (1-800-474-8756) ■ FAX 605-665-0501  
[www.shurco.com](http://www.shurco.com)

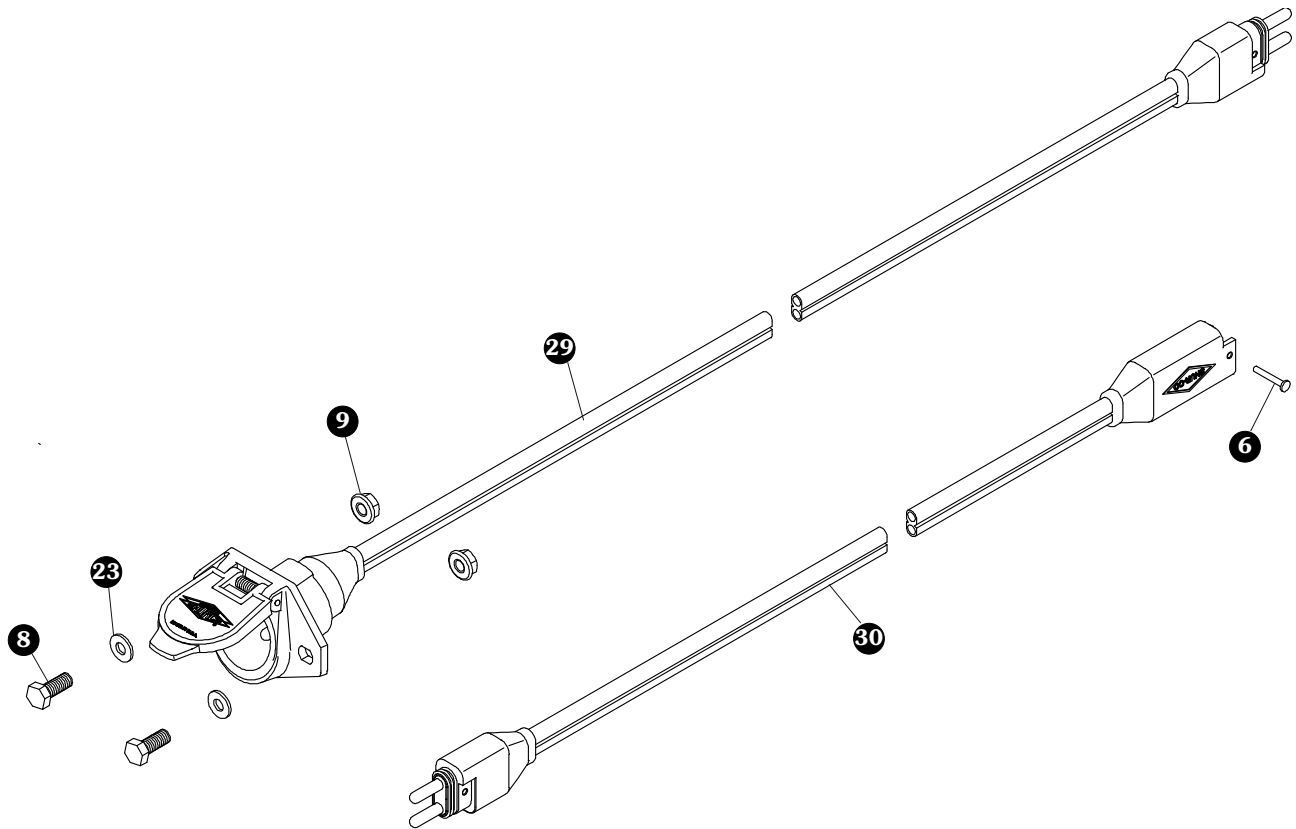
SHOP ONLINE: [www.shopshurco.com](http://www.shopshurco.com)



**SMARTWIRE™ INSTALLATION**

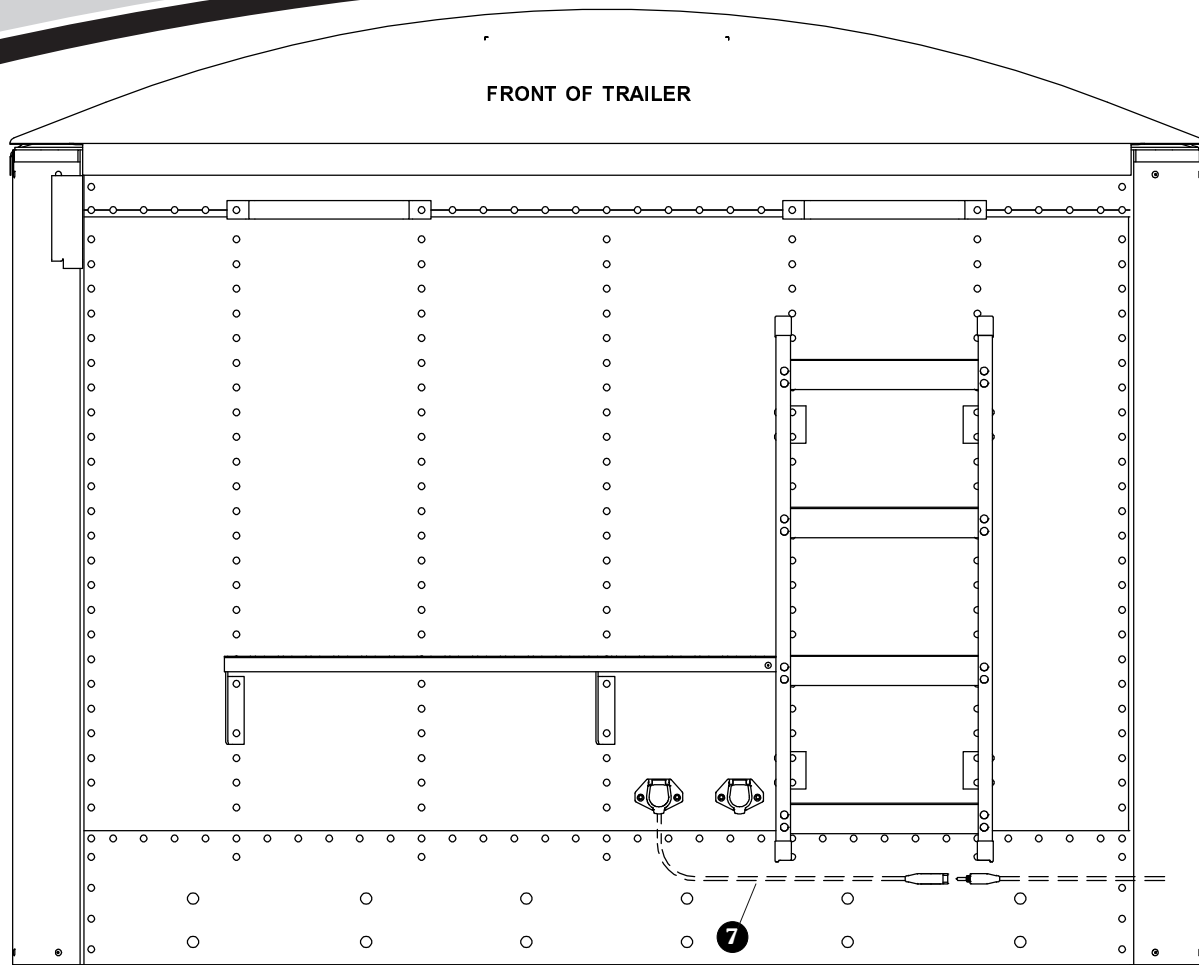
This instruction sheet is supplied with a variety of trailer models, therefore the locations for the SMARTwire™ components shown here may need to vary slightly on your trailer. Mounting locations are critical because wire lengths cannot be altered. Mount SMARTwire™ components as close as possible to the locations shown, not only to ensure a quick and easy installation, but also to facilitate SMARTwire™ upgrades.

Item	Part #	Description
6.	1704751	Harness Lock Pin - 1/4" x 7/8"
7.	1120670	SMARTwire™ Dual Conductor Socket
8.	1701045	Cap Screw - 5/16" x 3/4"
9.	1704946	Flange Top Lock Nut - 1/4"
14.	1704338	Self-Tapping Screw - 1/4" x 1"
20.	1702108	Wire Clip - 3/4"
21.	1703231	Cable Tie - 8"
22.	1704888	SMARTwire™ - 4 Ga. x 25' - Plug/Socket
23.	1700427	Flat Washer - 1/4"



### LEAD TRAILER WIRING PARTS FOR SUPPLYING POWER TO REAR/PUP TRAILERS

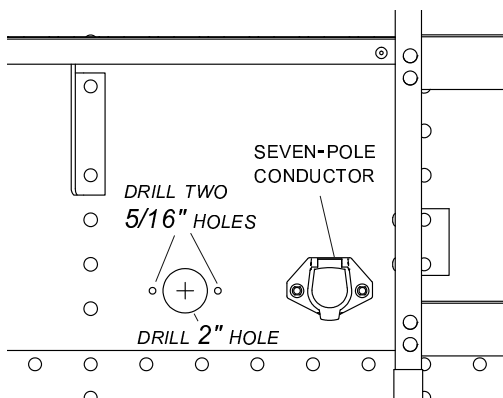
Item	Part #	Description
6.	1704751	Harness Lock Pin - 1/4" x 7/8"
8.	1701045	Cap Screw - 5/16" x 3/4"
9.	1704946	Flanged Top Lock Nut - 5/16"
23.	1700427	Flat Washer - 1/4"
29.	1122541	SMARTwire™ - 4 Ga. x 22' - Dual-Conductor Socket
	1122542	SMARTwire™ - 4 Ga. x 32' - Dual-Conductor Socket
	1122543	SMARTwire™ - 4 Ga. x 40' - Dual-Conductor Socket
30.	1704888	SMARTwire™ - 4 Ga. x 25' - Plug/Socket



**NOTE:** Wire lengths are predetermined. Before installing SMARTwire™ components, review and confirm wire routing so that wires will reach components with ample room for connection.

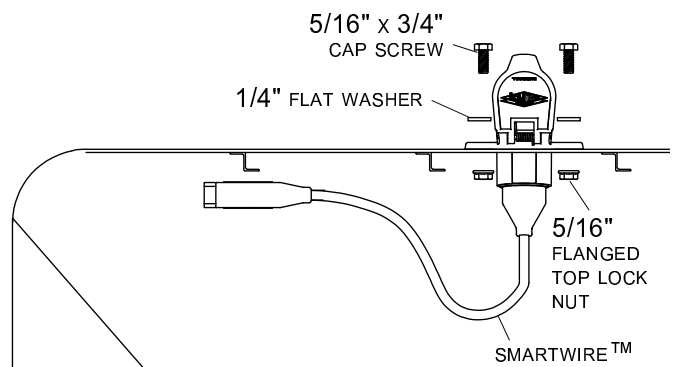
**DUAL-POLE CONDUCTOR SOCKET INSTALLATION**

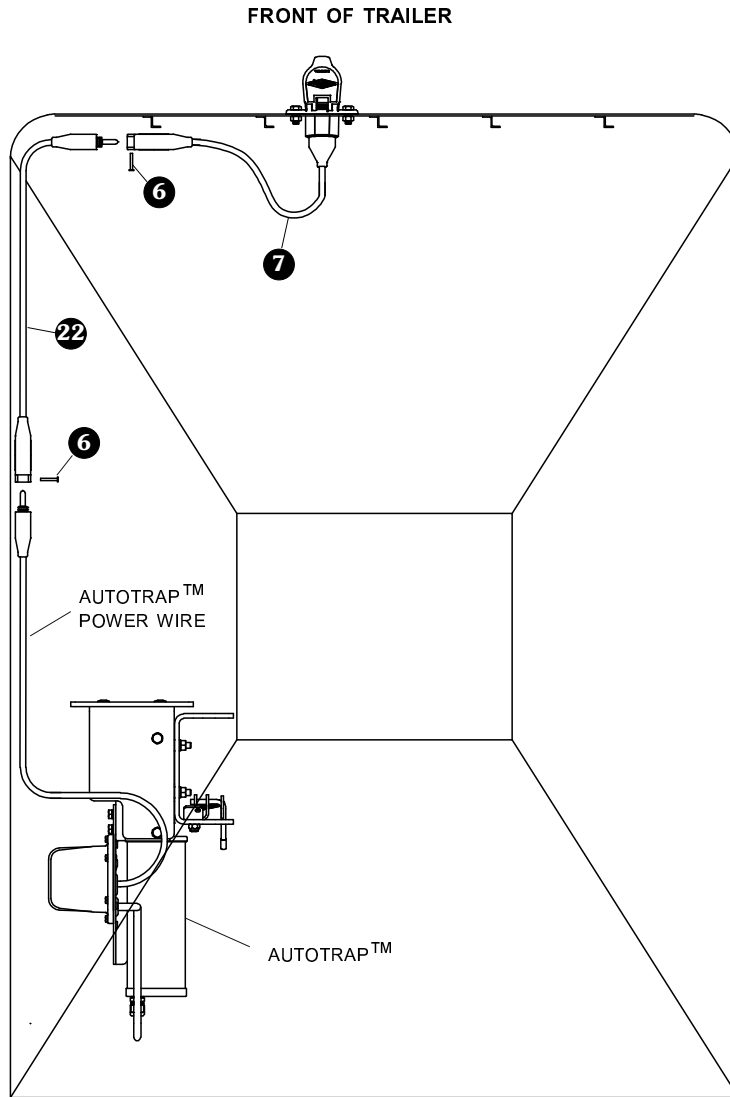
**STEP 1:** Locate dual-pole conductor socket near seven-pole conductor socket as shown. Determine location and drill 2" hole through trailer skin.



**STEP 2:** Align socket over 2" hole. Using holes in flanges on socket as a guide, mark and drill two 5/16" holes.

**STEP 3:** Fasten conductor socket to trailer with 5/16" x 3/4" cap screws, flat washers and nuts.





NOT TO SCALE

**NOTE:** Coat each connection with dielectric grease (P/N 1704378) to prevent corrosion.

**CAUTION**  
Do not fasten SMARTwire™ components to trailer through hopper walls.

**FRONT OF TRAILER**

- STEP 1:** Route SMARTwire™ (7) along existing wiring on trailer.
- STEP 2:** Plug SMARTwire™ (22) into SMARTwire™ (7) and secure connection with lock pin (6). Route smart wire (22) to apex on trailer.

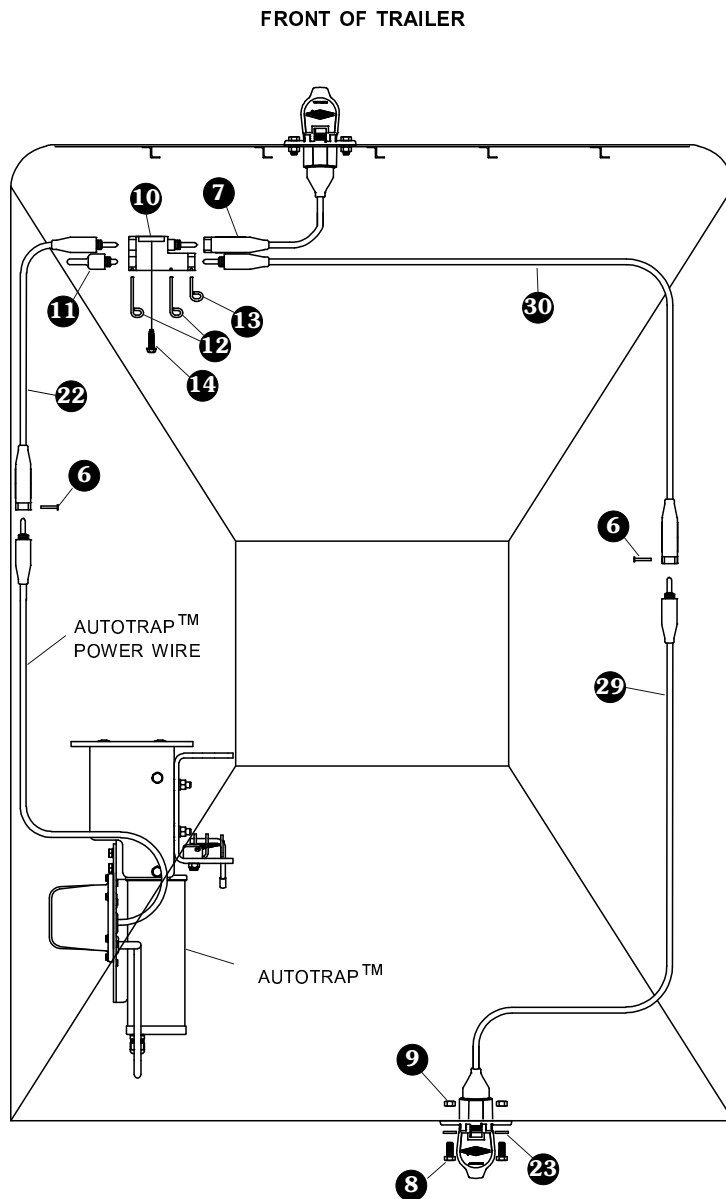
**APEX OF TRAILER**

- STEP 3:** Connect SMARTwire™ (22) and AutoTrap™ power wire. Secure with lock pin (6).
- STEP 4:** Secure all wires to trailer with cable clips (20) and screws (14). If needed, use cable ties (21).

**NOTE:** For lead/pup trailer configurations, continue on next page.

**NOTE:** Coat each connection with dielectric grease (P/N 1704378) to prevent corrosion.

**CAUTION**  
Do not fasten SMARTwire™ components to trailer through hopper walls.



NOT TO SCALE

**FRONT OF TRAILER**

**STEP 1:** Follow wiring instructions on previous page.

**STEP 2:** Route SMARTwire™ **30** towards rear of trailer and plug into junction block **10a**. Secure with lock pin **13**.

**REAR OF TRAILER**

**STEP 3:** To determine location for conductor socket **29** on rear of trailer, route SMARTwire™ **30** and SMARTwire™ from conductor socket **29** to location near middle of trailer, where wires will reach. Mount conductor socket at this location.

**STEP 4:** Follow steps 1 to 3 on page 3 to install conductor socket **29**.

**MIDDLE OF TRAILER**

**STEP 5:** Connect SMARTwires **30** and **29**. Secure with lock pin **6**.

**STEP 6:** Secure all wires to trailer with cable clips **20** and screws **14**. If needed, use cable ties **21**.



# MORE QUALITY PRODUCTS FROM SHUR-CO®

---

- **Genuine Replacement Tarps**
- **Genuine Replacement Parts**
  
- **Agriculture Products**
  - Value Series Shur-Lok®
  - Super Duty Shur-Lok®
  - Shur-Lok® Junior
  - Premium Belt 'n Ratchet
  - Cable-Lok™
  - Turning Point™ Bow
  
- **SMARTrailer™ Accessories for Agriculture Products**
  - SMART2™ Remote
  - SMART1 +™ Remote
  - 4500 Series HD Electric
  - AutoTrap™ Hopper Opener
  - ProTrap® Hopper Opener
  - LiteALL™ Work Lights
  - Cable-Lok™ Electric Upgrade
  - Electric Turning Point™ Bow
  - Value Series Electric
  - Solar Power Pack
  
- **Flatbed Products**
  - ShurTite™ Retractable Tarps
  - Stock Lumber & Steel Tarps
  - Steel Tarps
  
- **Custom Products**
  - Fitted Truck Covers
  - Flat Utility Tarps
  - Bean Drill Covers
  - Shur-Lok® Tarp Cords
  
- **Construction Products**
  - Super Duty Shur-Lok®
  - Shur-Trak II™
  - Cover-Pro II®
  - Turning Point™ Bow
  - IronSide™ Side-Dump System
  - Arm-Matic™
  - DuraPull™
  - Econo-Pull™
  - Turbo Tarp2 DONOVAN BRAND
  - 2000 Series DONOVAN BRAND
  - 5000 Series DONOVAN BRAND
  - Hammer DONOVAN BRAND
  - Bullet DONOVAN BRAND
  - Flash DONOVAN BRAND
  - Long Arm DONOVAN BRAND
  
- **SMARTrailer™ Accessories for Construction Products**
  - 4500 Series HD Electric w/Gate Flex™
  - Shur-Trak II™ Electric Upgrade
  - Cover-Pro II® Electric Upgrade
  - Electric Turning Point™ Bow
  - Solar Power Pack
  
- **Waste Products DONOVAN BRAND**
  - The Ox™
  - Quick-Flip III
  - Sidewinder
  - Sidewinder 350
  - HyTower SL
  - HyTower DL
  - Double-Flip