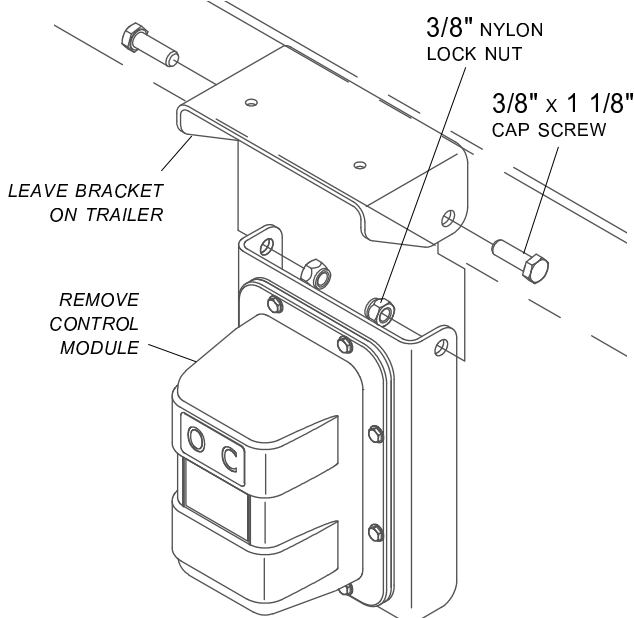


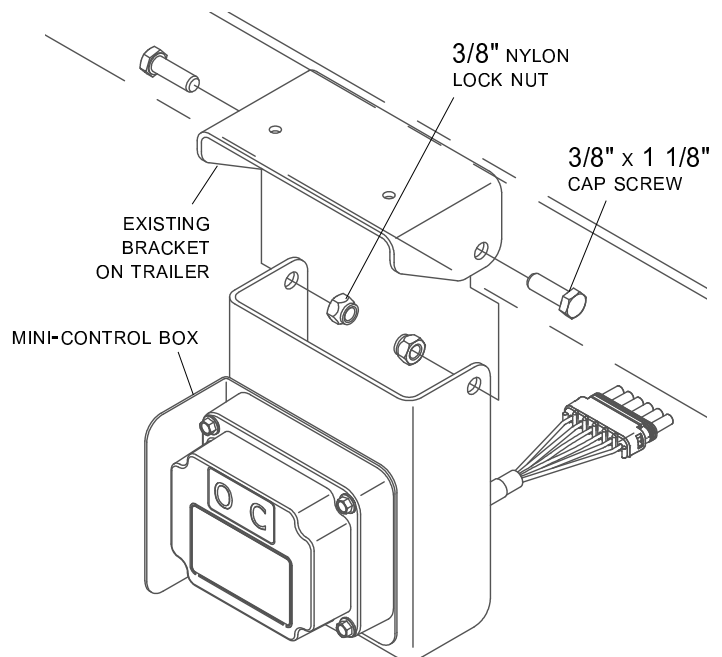
Item	Part #	Description
1.	1702904	Cap Screw - 3/8" x 1 1/8"
2.	1705428	Wire - 18 Ga. - 1/4" Ring x Flag Disconnect Terminal
3.	1123009	Mounting Bracket - Receiver - MaxxTrap™
4.	1122750	Mini-Control Box - SMART2™ MaxxTrap™
5.	1701580	Nylon Lock Nut - 3/8"

- STEP 1:** Disconnect power from trailer and unplug existing control module from MaxxTrap™ unit.
- STEP 2:** Unfasten and remove fasteners holding existing control module to bracket on trailer. Leave bracket on trailer and save fasteners.



- STEP 3:** Remove control module and disconnect wires. Remove and discard wire and fasteners from control module.

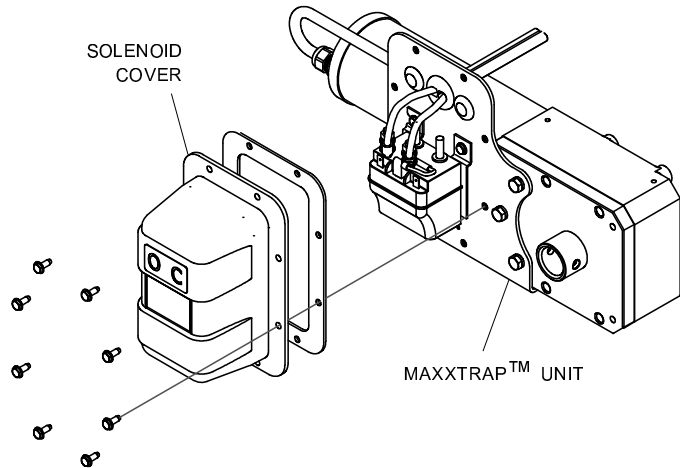
- STEP 4:** Replace control module with mini-control box, fastening mini-control box to existing bracket on trailer with fasteners used for control module.



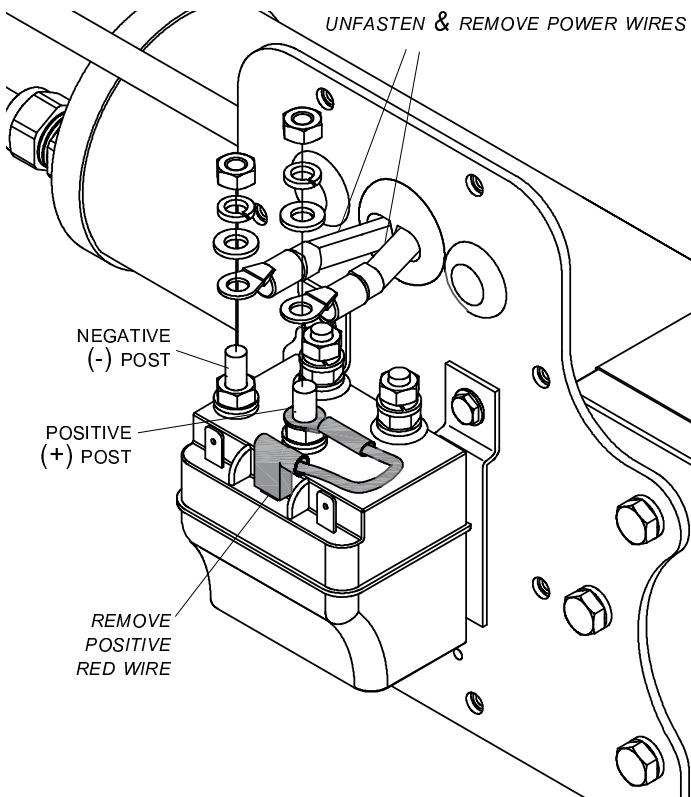
- STEP 5:** Run mini-control box wire to MaxxTrap™ unit and secure wire to trailer. Plug wire into mini-module and MaxxTrap™ unit.

NOTE: To add clarity, not all wires are shown on this page.

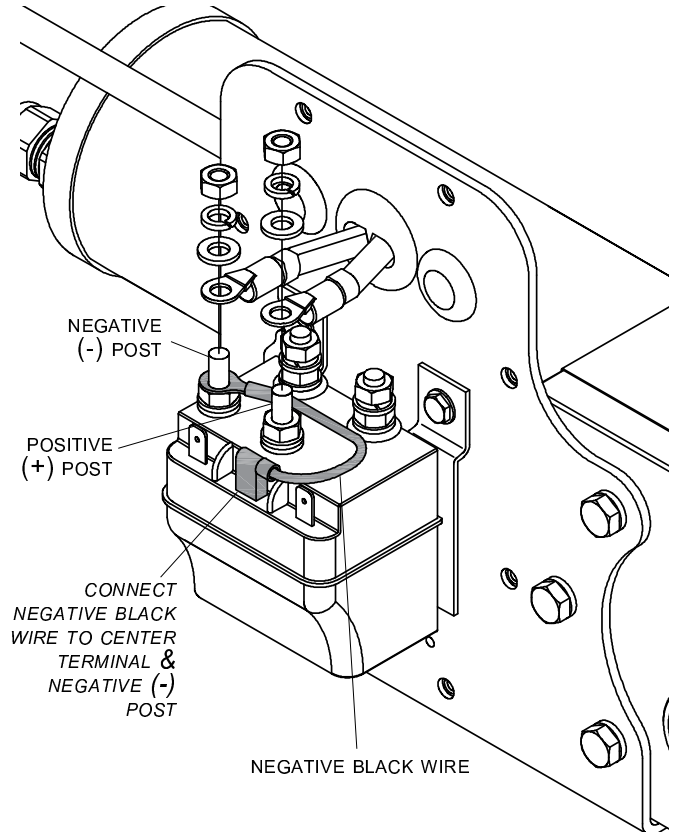
STEP 6: On opposite side of trailer, remove solenoid cover from MaxxTrap™ unit.



STEP 7: Unfasten and remove power wires from posts as shown. Remove positive red wire from center terminal and positive post on solenoid.



STEP 8: Replace positive red wire with negative black wire, connecting from center terminal to negative post on solenoid as shown. Refasten power wires to positive and negative posts.



STEP 9: Refasten power wires to posts on solenoid and replace solenoid cover on MaxxTrap™.