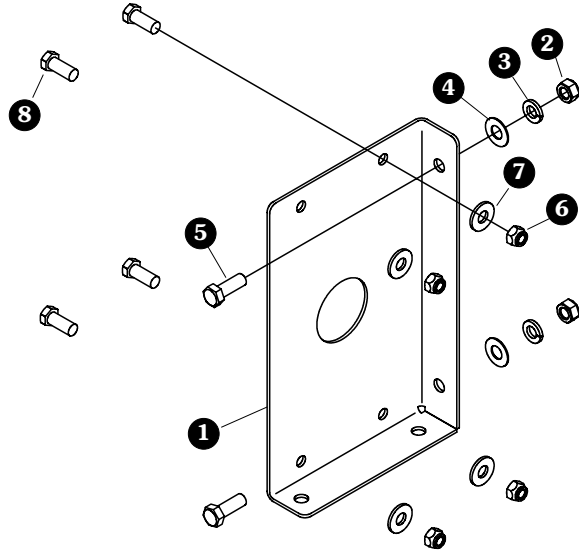


Item	Part #	Description
1.	1122760	SMART2™ Receiver Mount - Skinless Trailer
2.	1200999	Hex Nut - 3/8" - SS
3.	1703576	Lock Washer - 3/8" - SS
4.	1703577	Flat Washer - 3/8" - SS
5.	1703579	Cap Screw - 3/8" x 1" - SS
6.	1700419	Nylon Lock Nut - 5/16"
7.	1700428	Flat Washer - 5/16"
8.	1702926	Cap Screw - 5/16" x 7/8"



NOTE: Receiver mount bracket is designed to support wireless receiver where suitable flat, wide, vertical mounting surface on trailer does not exist.

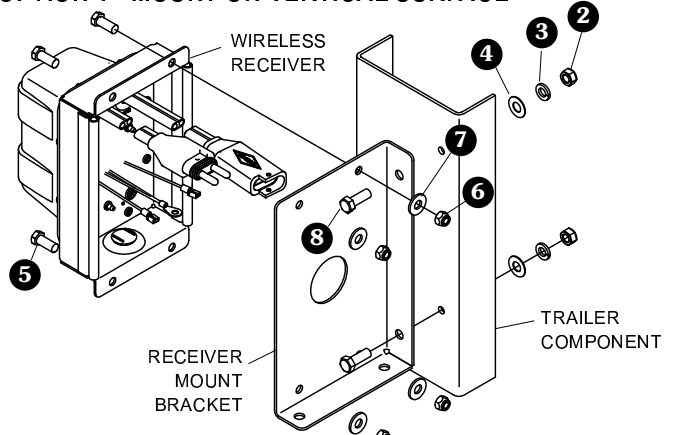
STEP 1: Determine location on components of trailer frame to mount wireless receiver.

NOTE: Receiver mount bracket can be rotated to mount left, right, top or bottom. Bracket can be mounted as shown or with flanges facing receiver.

STEP 2: Using receiver mount bracket as guide, mark and drill 5/16" holes and fasten bracket to trailer with screws 3, flat washers 4, lock washers 5 and nuts 2.

STEP 3: Fasten wireless receiver to bracket with screws 6, flat washers 7 and nuts 8. Route wires through hole in bracket.

OPTION 1 - MOUNT ON VERTICAL SURFACE



OPTION 2 - MOUNT ON HORIZONTAL SURFACE

