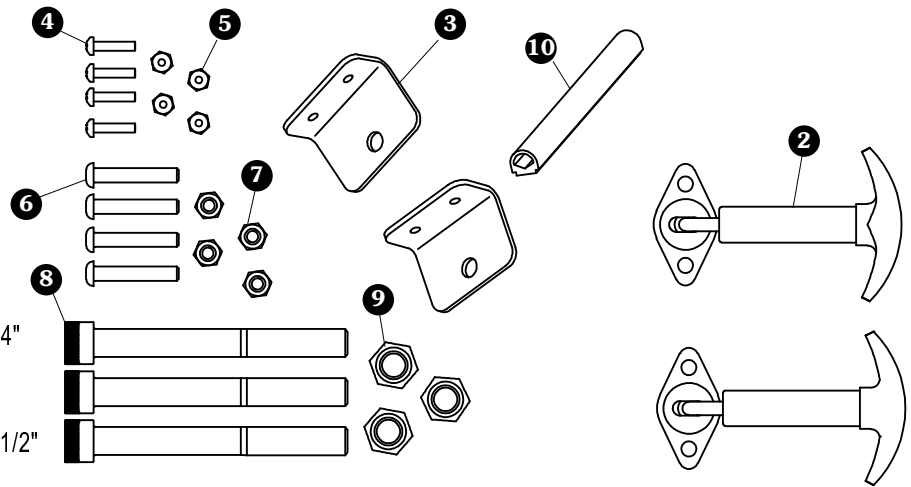
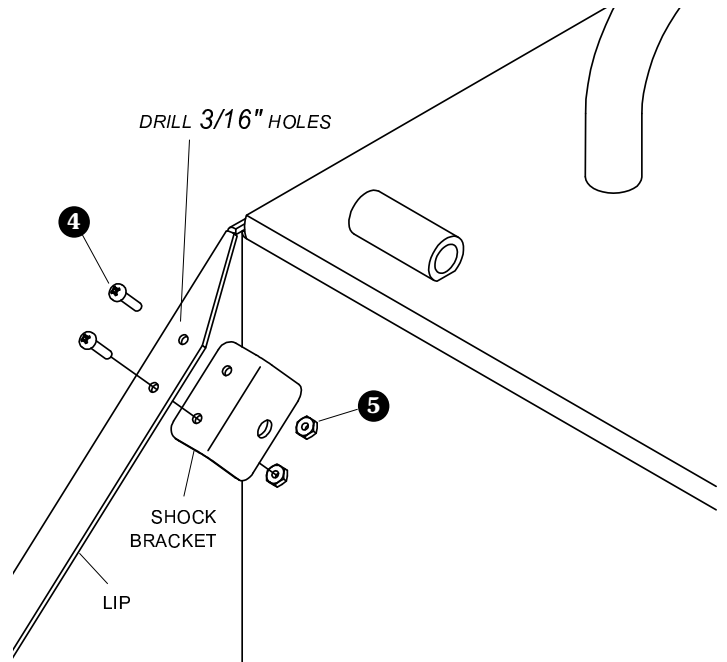
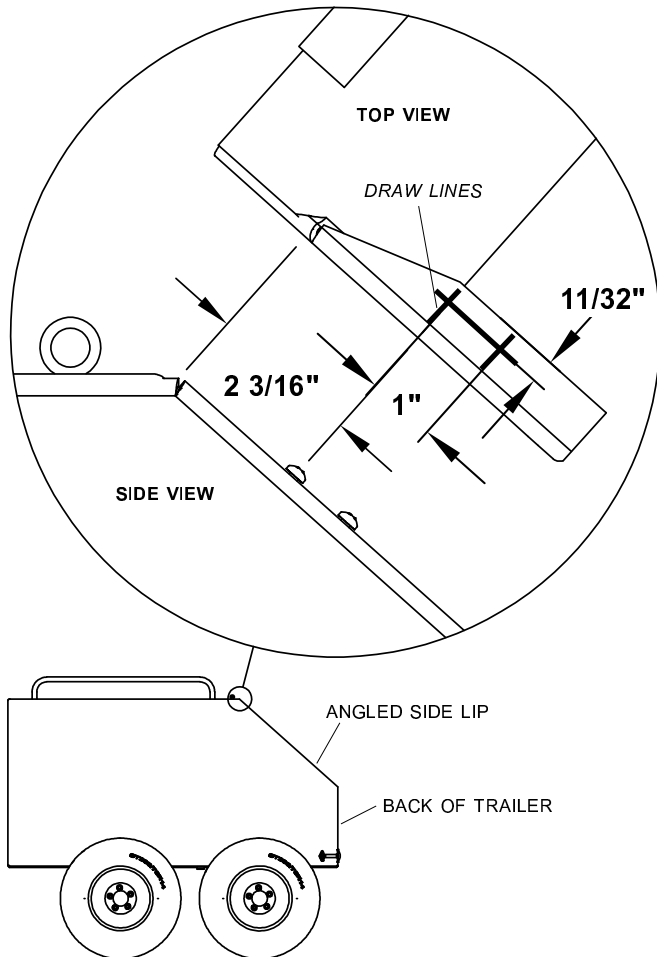


Item	Part #	Description
1	1124909	Cover Assembly (not shown)
2	1705518	Draw Latch w/Hardware
3	1124919	Shock Bracket
4	1202990	Machine Screw - Pan Hd. - #8 x 3/4"
5	1704869	Hex Nut - #8
6	1704768	Self-Drilling Screw - 1/4" x 3/4"
7	1701543	Nylon Lock Nut - 1/4"
8	1705519	Cap Screw - Socket Hd. - 1/2" x 4 1/2"
9	1702115	Nylon Lock Nut - 1/2"
10	1704678	Weather Strip - Self-Adhesive Foam

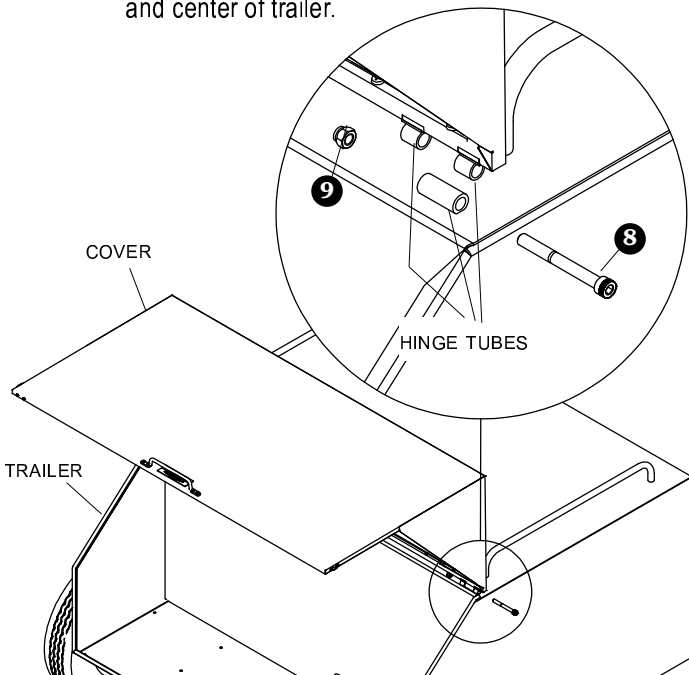


**STEP 1: Determine bolt hole locations for shock brackets.**  
 Draw line 2 3/16" down from top corner of trailer on angled side lip. Draw second line 1" below first line. Draw third line parallel to inside lip, 11/32" from lip.

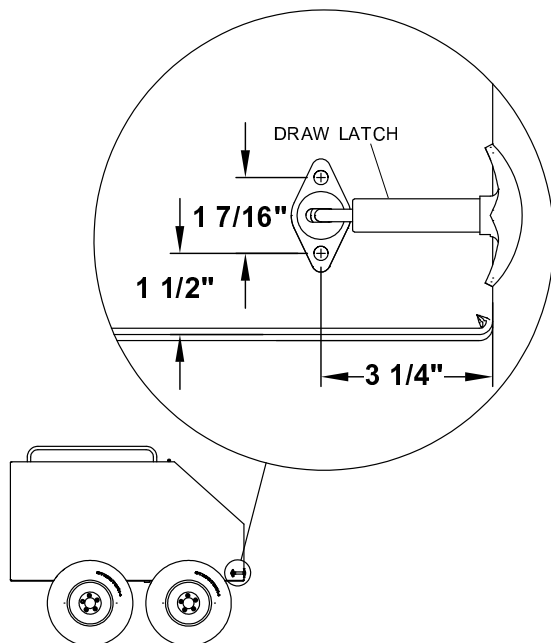
**STEP 2: Fasten shock brackets.** Drill 3/16" holes where lines cross and fasten shock bracket to underside of lip with screws 4 and nuts 5.



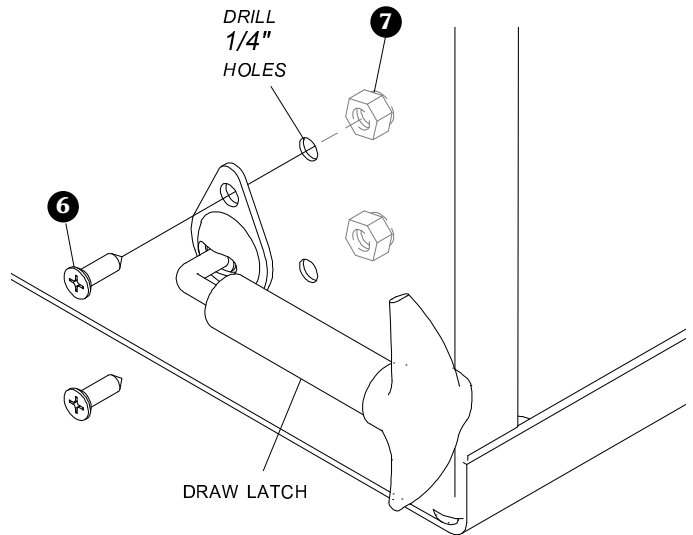
**STEP 3: Fasten cover to trailer.** Center cover on trailer, aligning hinge tubes on cover with hinge tubes on trailer. Fasten with screws ③ and nuts ② into hinge tubes both sides and center of trailer.



**STEP 4: Determine draw latch locations on trailer.** Draw line 3 1/4" from rear of trailer. Draw second line 1 1/2" from bottom of trailer. First bolt hole will be at intersection of crossed lines. Space second hole 1 7/16" above first hole.



**STEP 5: Fasten draw latches to trailer.** Drill 1/4" holes where lines cross and fasten draw latches to trailer with screws ⑥ and nuts ⑦.



**STEP 6: Weather strip.** To keep dust and moisture out of trailer, apply self-adhesive foam weather strip to trailer. Apply around open edges of trailer, where cover meets trailer.

