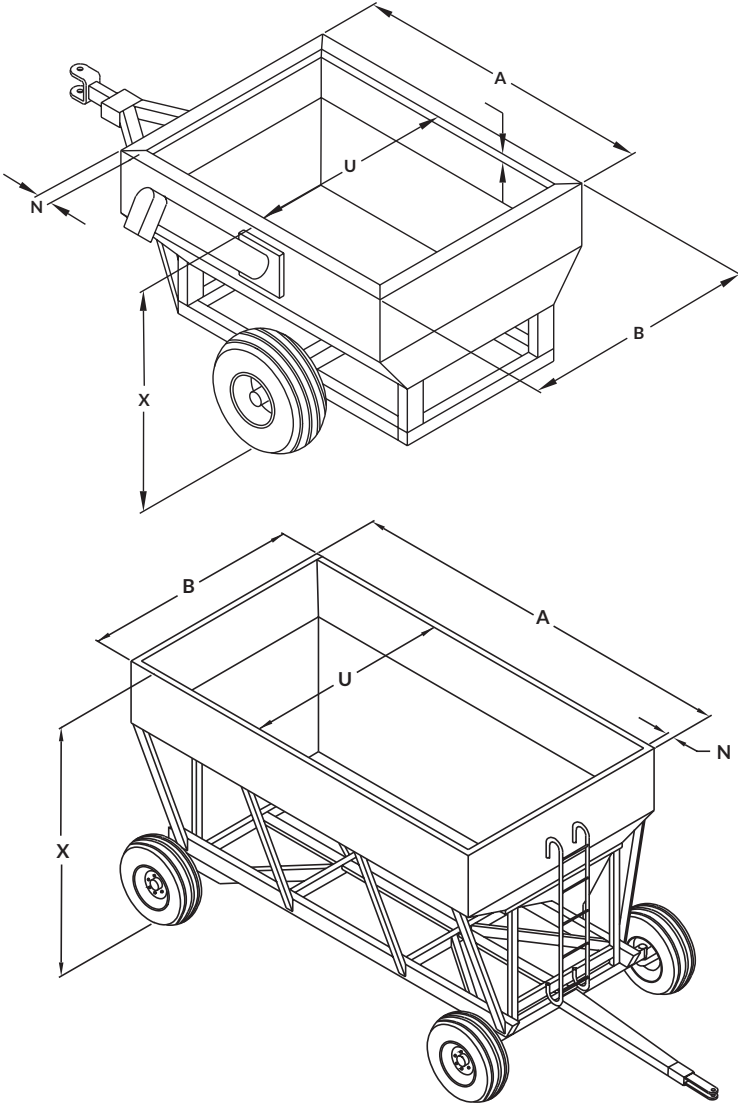


# BOX DETAIL SHEET FOR GRAIN CARTS AND GRAVITY WAGONS

ALL TARPS ARE CUSTOM-MADE TO ORDER AND ARE NON-RETURNABLE. CORRECT PHYSICAL MEASUREMENTS ARE ESSENTIAL FOR PROPER TARP FIT. PROVIDE ALL REQUESTED INFORMATION OR YOUR ORDER MAY BE DELAYED. **DO NOT** USE UNIVERSAL BOX SIZES. **ALWAYS** USE ACTUAL MEASUREMENTS. BOX SIZE AND FINISHED TARP SIZE ARE **NOT** THE SAME.



## CONTACT INFORMATION

G01BD-0618

NAME \_\_\_\_\_  
 ADDRESS \_\_\_\_\_  
 EMAIL \_\_\_\_\_  
 CITY \_\_\_\_\_ STATE \_\_\_\_\_ ZIP \_\_\_\_\_  
 PHONE \_\_\_\_\_ FAX \_\_\_\_\_  
 BOX/TRAILER MAKE \_\_\_\_\_  
 MODEL \_\_\_\_\_ YEAR \_\_\_\_\_

## BOX DIMENSIONS

A \_\_\_\_\_ UPPER OUTSIDE BOX LENGTH  
 B \_\_\_\_\_ UPPER OUTSIDE BOX WIDTH  
 Front \_\_\_\_\_ Center \_\_\_\_\_ Rear \_\_\_\_\_  
 N \_\_\_\_\_ TOP RAIL WIDTH  
 U \_\_\_\_\_ INSIDE BOX WIDTH  
 X \_\_\_\_\_ UPPER OUTSIDE BOX HEIGHT

LIP IN  LIP OUT

REAR CONFIGURATION *Must answer this*

VERTICAL  SLOPED

BOX EXTENSION STYLE *See Figures 1 and 2*

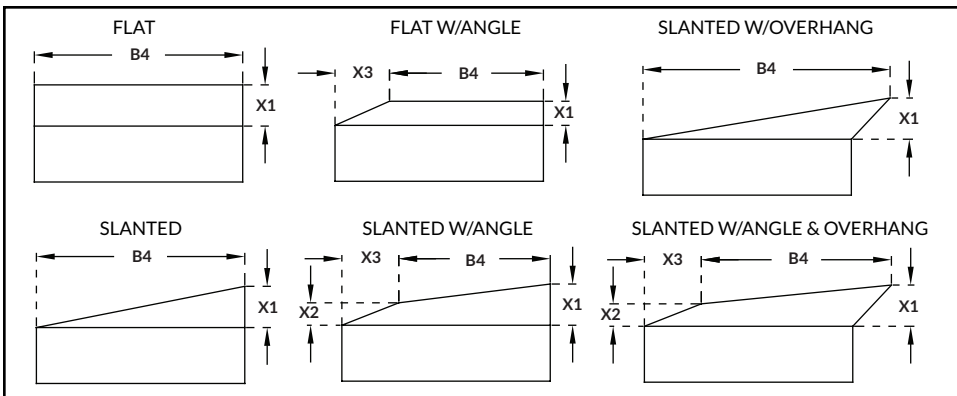
FLAT  SLANTED  FLAT W/ANGLE  
 SLANTED W/ANGLE  SLANTED W/OVERHANG  
 SLANTED W/OVERHANG AND ANGLE

BOX EXTENSION DIMENSIONS

B4 \_\_\_\_\_ EXTENSION WIDTH  
 X1 \_\_\_\_\_ EXTENSION HEIGHT DRIVER SIDE  
 X2 \_\_\_\_\_ EXTENSION HEIGHT PASSENGER SIDE  
 X3 \_\_\_\_\_ LOWER EXTENSION ANGLE

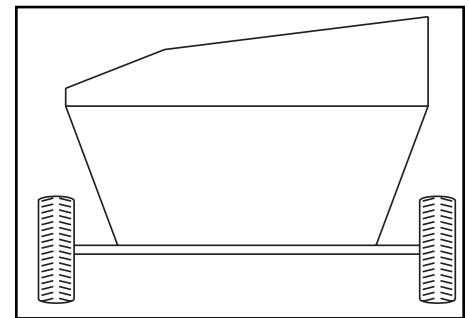
TARP COLOR(S) \_\_\_\_\_

FIGURE 1



NOTE: Flat caps can ONLY be used on a SLANTED extension (see above), and the side walls MUST BE VERTICAL.

FIGURE 2



NOTE: If ordering galvanized caps, make sure box is flat across top. Figure 2 shows a box with an uneven angle across the top. Galvanized caps will NOT fit this box; you must order fabric caps instead.

Fax 605.665.0501

Salesperson \_\_\_\_\_