

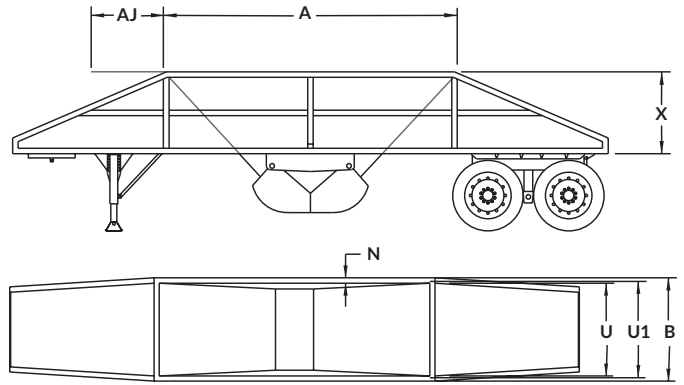
BOX DETAIL SHEET FOR BELLY DUMPS AND OPEN-TOP VANS

ALL TARPS ARE CUSTOM-MADE TO ORDER AND ARE NON-RETURNABLE. CORRECT PHYSICAL MEASUREMENTS ARE ESSENTIAL FOR PROPER TARP FIT. PROVIDE ALL REQUESTED INFORMATION OR YOUR ORDER MAY BE DELAYED. DO NOT USE UNIVERSAL BOX SIZES. ALWAYS USE ACTUAL MEASUREMENTS. BOX SIZE AND FINISHED TARP SIZE ARE NOT THE SAME.

CONTACT INFORMATION

G09BD-0618

NAME _____
 ADDRESS _____
 EMAIL _____
 CITY _____ STATE _____ ZIP _____
 PHONE _____ FAX _____
 BOX/TRAILER MAKE _____



BOX DIMENSIONS FOR BELLY DUMPS

A _____ UPPER BOX LENGTH
 B _____ UPPER BOX WIDTH
 Front _____ Center _____ Rear _____
 N _____ TOP RAIL WIDTH
 U _____ INSIDE BOX WIDTH
 U1 _____ INSIDE PLANK-TO-PLANK WIDTH
 X _____ BOX HEIGHT

TARP RAIL STYLE See Figure 1

SQUARE SELF CLEANING SQUARE W/PLANKS*

*Are planks flush with outside of top rail? Y / N (Circle one)

LANDING EXTENSION LENGTH See Figure 2 - for Shur-Trak™ only

AJ _____

TARP COLOR(S) _____

FIGURE 1

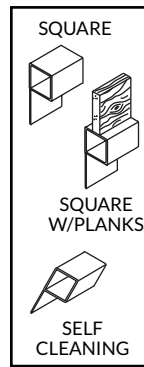
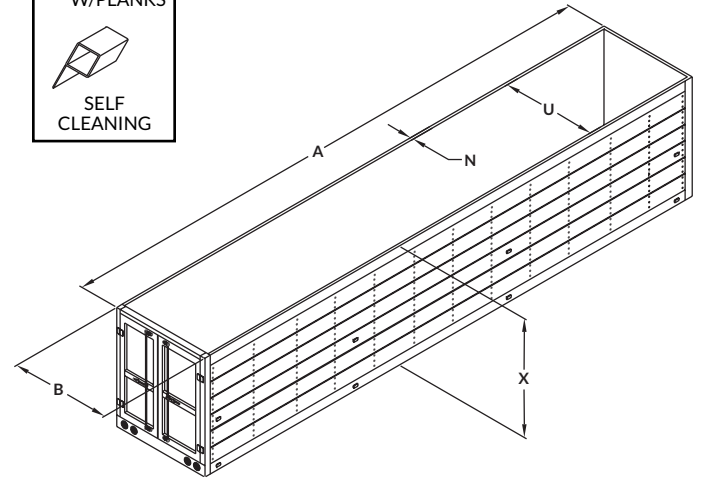
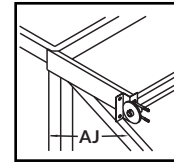


FIGURE 2



BOX DIMENSIONS FOR OPEN-TOP VANS

A _____ UPPER BOX LENGTH
 B _____ UPPER BOX WIDTH
 Front _____ Center _____ Rear _____
 N _____ TOP RAIL WIDTH
 U _____ INSIDE BOX WIDTH
 X _____ BOX HEIGHT

CORNER CONFIGURATION See Figure 3

SQUARE DIAGONAL RADIUS

C _____ OUTSIDE CORNER RADIUS For all radius fronts

E _____ FLAT ACROSS FRONT

V _____ FLAT ACROSS DIAGONAL

W _____ DIAGONAL DEPTH

TARP WEIGHT

18 OZ. 22 OZ.

TARP COLOR(S) _____

FIGURE 3

