

FLATBED TRAILER ORDER FORM

Rev. 09-20 | Page 1

ShurTite™ tarps are custom-made to order and are non-returnable, so the correct physical measurements are essential for proper tarp fit. Be sure to provide all requested information or your order may be delayed. Do NOT use universal body or trailer sizes. Instead, use ACTUAL MEASUREMENTS provided in INCHES.

Use diagram below to help determine correct measurements for ordering. Trailer **MUST BE AIRED UP** and hooked to the truck or the fifth-wheel height set to 48" from the ground BEFORE taking measurements. Width of deck is from outside rub rail to outside rub rail. Additional information needed is noted on reverse side.

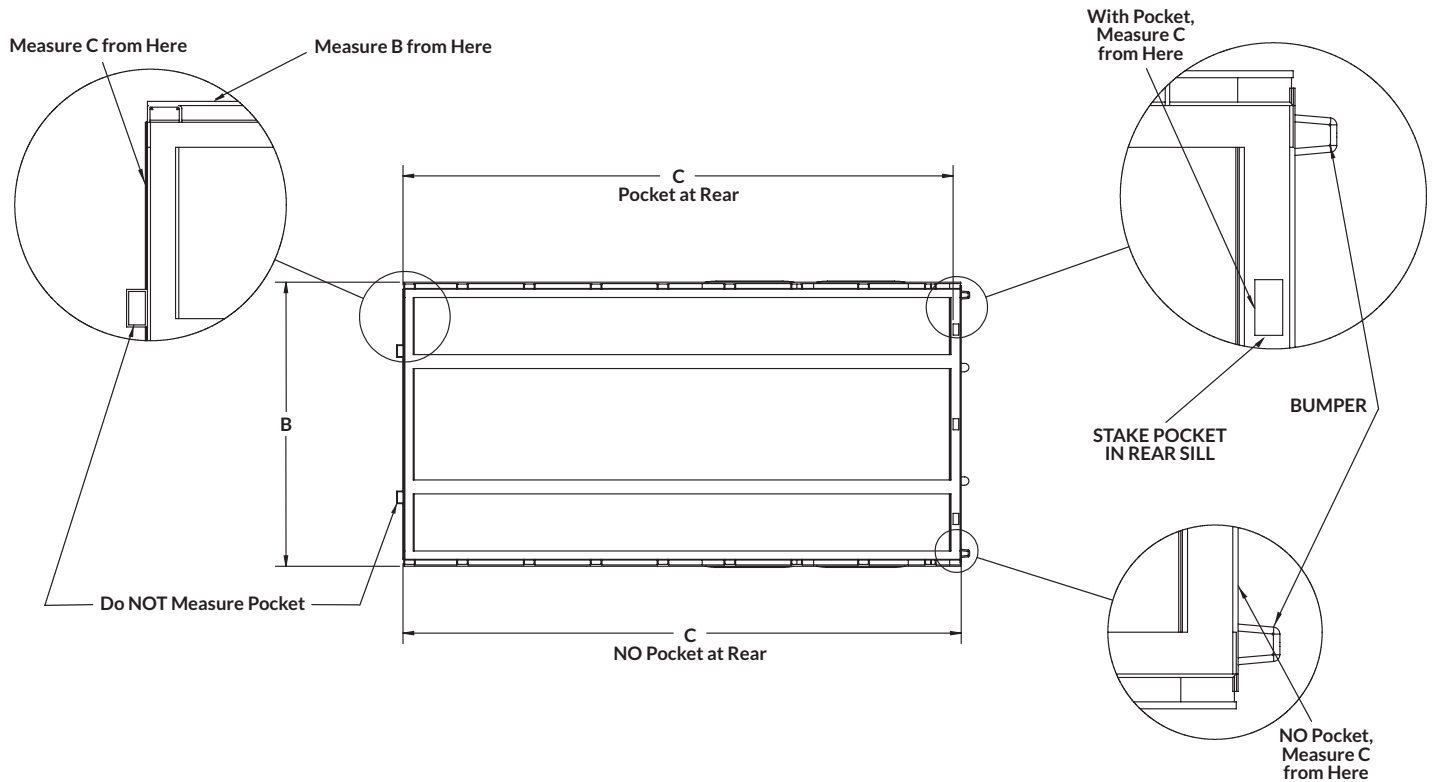
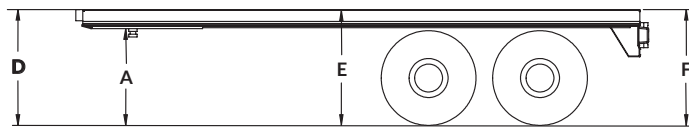
CONTACT INFORMATION

NAME _____
 ADDRESS _____
 EMAIL _____
 CITY _____ STATE _____ ZIP _____
 PHONE _____ FAX _____
 BOX/TRAILER MAKE _____
 MODEL _____ YEAR _____
 TRAILER VIN # (Last 5 Digits) _____

TRAILER DIMENSIONS

A _____ FIFTH WHEEL
 B _____ WIDTH
 C _____ DECK LENGTH
 D _____ FRONT HEIGHT
 E _____ MID DECK HEIGHT
 F _____ REAR HEIGHT

RUB RAIL STEEL ALUMINUM



I hereby certify that these measurements are accurate. I accept responsibility for any and all inaccurate measurements. I understand that I will be held financially responsible for any and all costs incurred with the production of my system based on these given measurements.

SIGNATURE _____ TITLE _____



FLATBED TRAILER ORDER FORM

Rev. 09-20 | Page 2

TRACK: MAGNUM TITETRAX™

(• STANDARD PARTS)

EXTRA OPTIONS

- EXTRA LIFTERS
- QUAD LIFTERS
- REAR STEP
 - PASSENGER SIDE STL OR AL
 - DRIVER SIDE STL OR AL
- FRONT BUILD-OUT - 8"
- FOLDING TRACK EXTENSION
- TRACK GUARD (Magnum ONLY)
- STAINLESS STEEL LIGHT BAR

TRAILER ADDITIONS

- REUSING TRACK
- LOWERING ADDITIONAL LIGHTS
 - EXCLUDES CORNER, MARKER & ABS
- REMOVING OLD TARP SYSTEM
- ADDITIONAL TRAILER WORK

SYSTEM HEIGHT (Choose One)

- 100" STANDARD (98" Inside Height)
- 84" STANDARD (82" Inside Height)
- 72" STANDARD (70" Inside Height)
- OTHER _____

HEADBOARD ADDITIONS

- RE-USING HEADBOARD
- STAINLESS STEEL WRAP
- MAN DOOR
- CHAIN BOXES 1 OR 2
- DUNNAGE RACKS 1 OR 2
- UTILITY TRAY
- NOSE CONE WHITE OR BLACK
- INSIDE FLOOD LIGHTS
- ADDITIONAL HEADBOARD LIGHTS - 5 Total

TARP

- COLOR _____
- GRAPHICS

BACK FLAP OPENING OPTIONS (Choose One)

- ROPE & PULLEY
- CRANK ARM

BACK FLAP CLOSURE OPTIONS (Choose One)

- OVER 90° BARS
- VELCRO® WINGS

TENSIONING SYSTEM

- WINDING BRACE
- PNEUMATIC BRACE
- POST & RATCHET

ADDITIONAL NOTES

WHEN FORM IS COMPLETED, MAIL OR EMAIL TO SELECTED ADDRESS OR FAX TO SELECTED NUMBER AT TOP OF PAGE. THANK YOU!

SIGNATURE _____ TITLE _____