

## STRAIGHT TRUCK ORDER FORM

Rev. 09-20 | Page 1

ShurTite™ tarps are custom-made to order and are non-returnable, so the correct physical measurements are essential for proper tarp fit. Be sure to provide all requested information or your order may be delayed. Do NOT use universal body or trailer sizes. Instead, use ACTUAL MEASUREMENTS provided in INCHES.

Use diagram below to help determine correct measurements for ordering. Trailer **MUST BE AIRED UP** and hooked to the truck or the fifth-wheel height set to 48" from the ground BEFORE taking measurements. Width of deck is from outside rub rail to outside rub rail. Additional information needed is noted on reverse side.

### CONTACT INFORMATION

NAME \_\_\_\_\_

ADDRESS \_\_\_\_\_

EMAIL \_\_\_\_\_

CITY \_\_\_\_\_ STATE \_\_\_\_\_ ZIP \_\_\_\_\_

PHONE \_\_\_\_\_ FAX \_\_\_\_\_

BOX/TRAILER MAKE \_\_\_\_\_

MODEL \_\_\_\_\_ YEAR \_\_\_\_\_

TRAILER VIN # (Last 5 Digits) \_\_\_\_\_

### TRAILER DIMENSIONS

A \_\_\_\_\_ FRONT HEIGHT

B \_\_\_\_\_ MID DECK HEIGHT

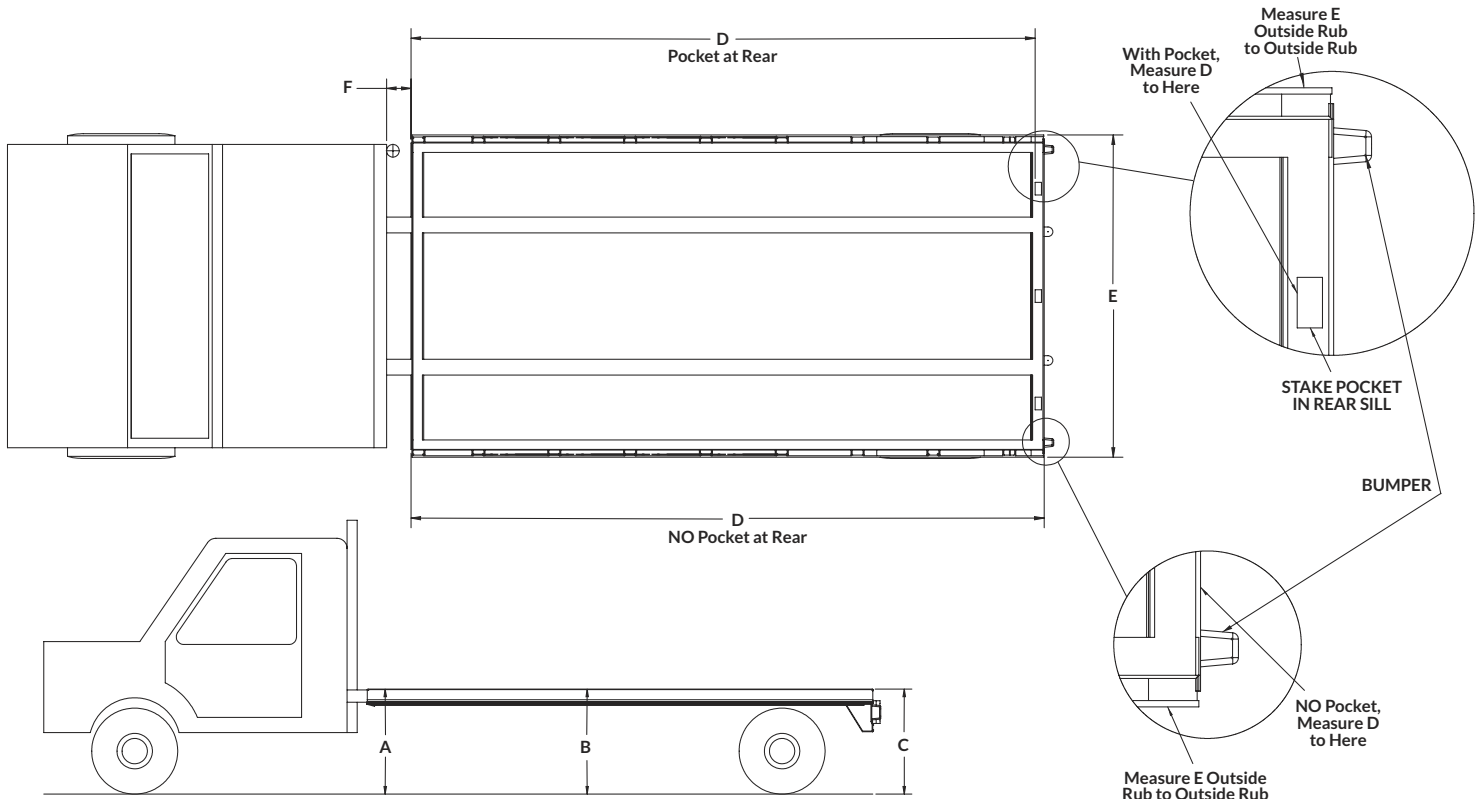
C \_\_\_\_\_ REAR DECK HEIGHT

D \_\_\_\_\_ DECK LENGTH

E \_\_\_\_\_ DECK WIDTH

F \_\_\_\_\_ CAB-TO-DECK LENGTH

RUB RAIL  STEEL  ALUMINUM



I hereby certify that these measurements are accurate. I accept responsibility for any and all inaccurate measurements. I understand that I will be held financially responsible for any and all costs incurred with the production of my system based on these given measurements.

SIGNATURE \_\_\_\_\_ TITLE \_\_\_\_\_



# STRAIGHT TRUCK ORDER FORM

Rev. 09-20 | Page 2

TRACK:  MAGNUM  TITETRAX™

(• STANDARD PARTS)

### EXTRA OPTIONS

- EXTRA LIFTERS
- QUAD LIFTERS
- REAR STEP
  - PASSENGER SIDE  STL OR  AL
  - DRIVER SIDE  STL OR  AL
- FRONT BUILD-OUT - 8"
- FOLDING TRACK EXTENSION
- TRACK GUARD (Magnum ONLY)
- STAINLESS STEEL LIGHT BAR

### TRAILER ADDITIONS

- REUSING TRACK
- LOWERING ADDITIONAL LIGHTS
  - EXCLUDES CORNER, MARKER & ABS
- REMOVING OLD TARP SYSTEM
- ADDITIONAL TRAILER WORK
   
\_\_\_\_\_
   
\_\_\_\_\_
   
\_\_\_\_\_

### SYSTEM HEIGHT

- 100" STANDARD (98" Inside Height)
- 84" STANDARD (82" Inside Height)
- 72" STANDARD (70" Inside Height)
- OTHER \_\_\_\_\_

### HEADBOARD ADDITIONS

- RE-USING HEADBOARD
- STAINLESS STEEL WRAP
- MAN DOOR
- CHAIN BOXES  1 OR  2
- DUNNAGE RACKS  1 OR  2
- UTILITY TRAY
- NOSE CONE  WHITE OR  BLACK
- INSIDE FLOOD LIGHTS
- ADDITIONAL HEADBOARD LIGHTS - 5 Total

### TARP

- COLOR \_\_\_\_\_
- GRAPHICS

### BACK FLAP OPENING OPTIONS (Choose One)

- ROPE & PULLEY
- CRANK ARM

### BACK FLAP CLOSURE OPTIONS (Choose One)

- OVER 90° BARS
- VELCRO® WINGS

### TENSIONING SYSTEM

- WINDING BRACE
- PNEUMATIC BRACE
- POST & RATCHET

### ADDITIONAL NOTES

---



---



---



---

WHEN FORM IS COMPLETED, MAIL OR EMAIL TO SELECTED ADDRESS OR FAX TO SELECTED NUMBER AT TOP OF PAGE. THANK YOU!

SIGNATURE \_\_\_\_\_ TITLE \_\_\_\_\_