

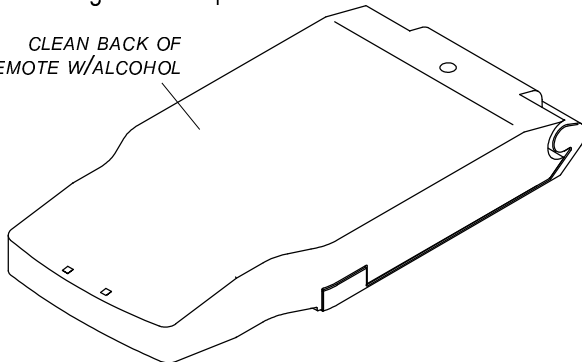
Item	Part #	Description
1.	1125554	Lanyard Ring Assembly
2.	1705630	Alcohol Prep Pad - 70% (not shown)

NOTE: Recommended temperature during application is 70°F.

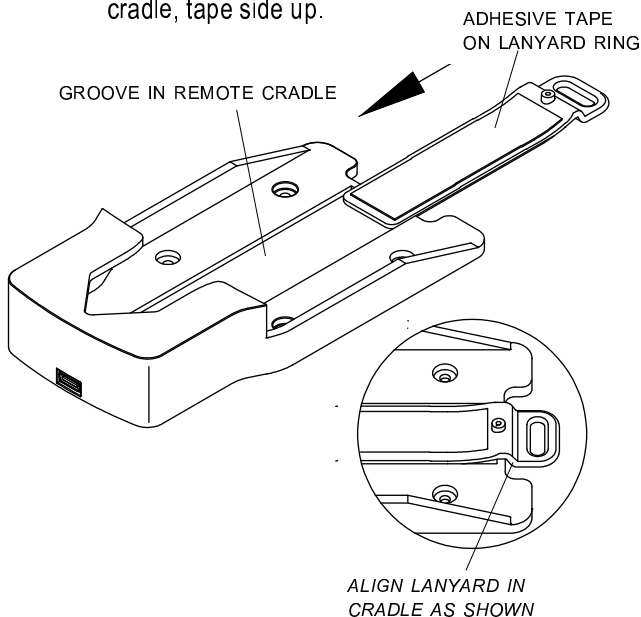
NOTE: Follow directions carefully to ensure remote fits into cradle after adhering lanyard ring to remote. Recommended temperature during application is 70°F.

STEP 1: Clean back of remote with alcohol swab. If remote is excessively dirty, wash with soap and warm water before using alcohol wipe.

CLEAN BACK OF REMOTE W/ALCOHOL

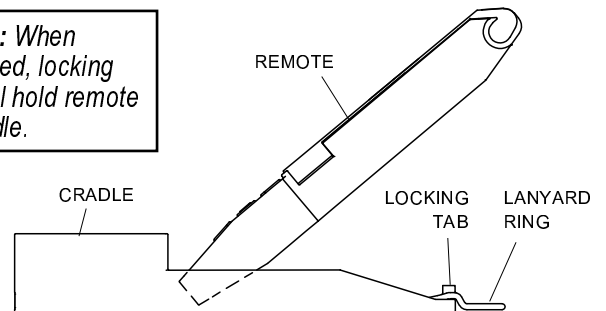


STEP 2: Remove backing from two-sided adhesive tape on lanyard ring and place lanyard ring into groove in remote cradle, tape side up.

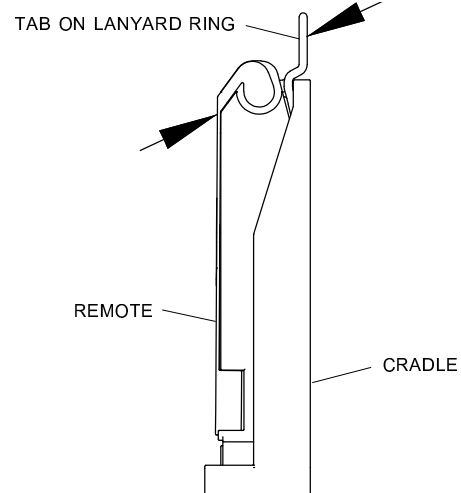


STEP 3: Hold remote at angle and slide remote into cradle, keeping lanyard ring in groove in cradle. Press cradle and remote together to lightly adhere remote to lanyard ring.

NOTE: When engaged, locking tab will hold remote in cradle.



NOTE: To remove remote from cradle, pinch tab on lanyard ring into remote to disengage locking tab and pull remote out of cradle.



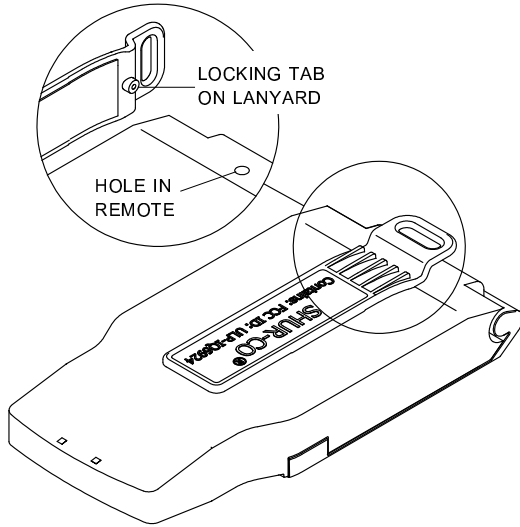
CAUTION

Lanyard must have safety clip that will release at no more than 5 lb. to prevent injury if lanyard or remote becomes caught.

Continued...

OPTIONAL COLD WEATHER INSTRUCTIONS

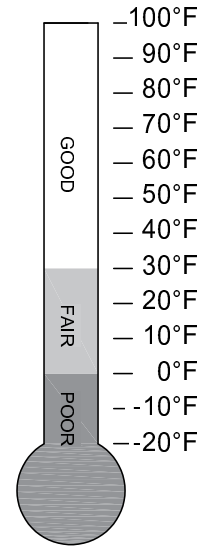
STEP 4: Remove remote from cradle and make sure locking tab on lanyard is fitting into hole in remote, then press lanyard ring into remote to secure adhesion.



NOTE: Adhesive will not reach complete strength for a full 72 hours. Remote may be used while adhesive is curing, but please use caution until adhesive is fully cured.



SCAN HERE TO SEE FULL INSTRUCTIONAL VIDEO

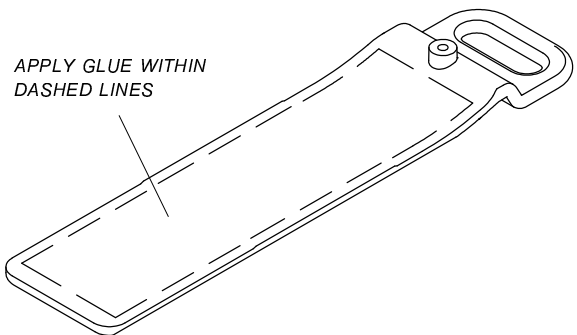


NOTE: Adhesive tape works best in temperatures from 30° to 100°F.

NOTE: If planning to use remote in excessively cold weather, it is recommended to adhere lanyard ring to remote using Super Glue®. See following steps below and Super Glue® manufacturer's instructions.

STEP 1: Remove adhesive tape from lanyard ring and clean with alcohol. Follow step 1 for standard application.

STEP 2: Apply Super Glue® to lanyard ring, placing glue only in area shown.



CAUTION
To prevent lanyard ring from adhering to cradle, apply Super Glue® only in area shown above. Do not apply glue excessively.

STEP 3: Place lanyard ring into groove in remote cradle as shown in step 2 for standard application.

STEP 4: Follow steps 3 and 4 for standard application.

