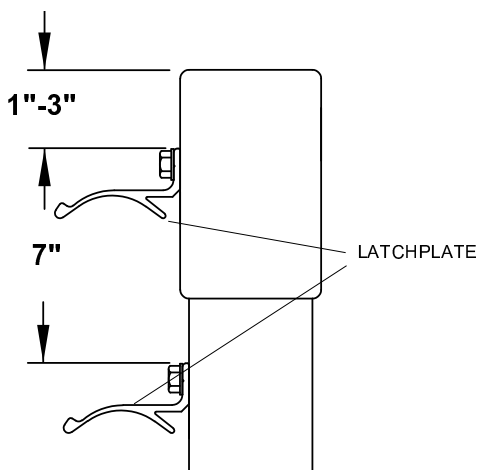


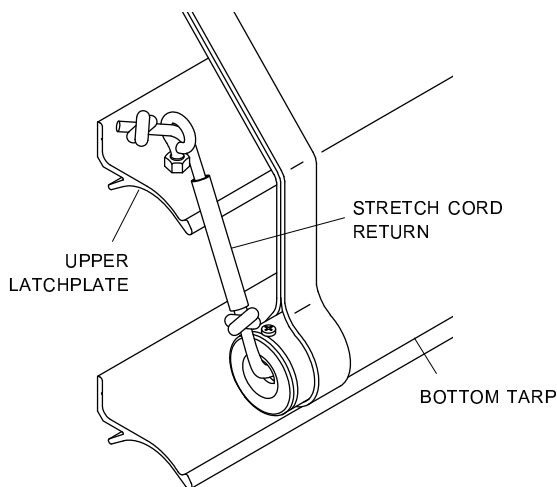
LATCHPLATE

STEP 1: Follow instructions in Shur-Lok® owner's manual (P/N 1100193) to install latchplate sections. Locate top row of latchplate sections 1" to 3" down from top edge of rail on driver side of box. Locate second row of latchplate sections 7" below first row.



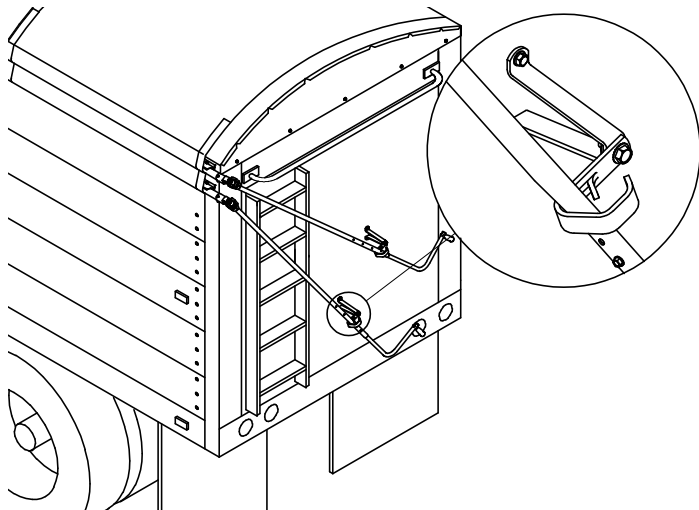
STRETCH CORD RETURN - BOTTOM TARP

STEP 2: Follow instructions in Shur-Lok® owner's manual (P/N 1100193) to install stretch cord return on upper latchplate at front of box for bottom tarp.



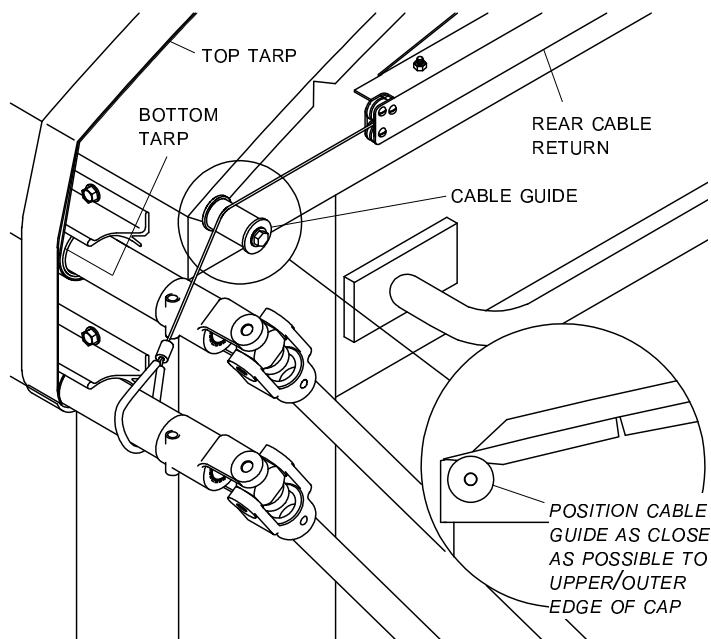
CRANK RETAINERS

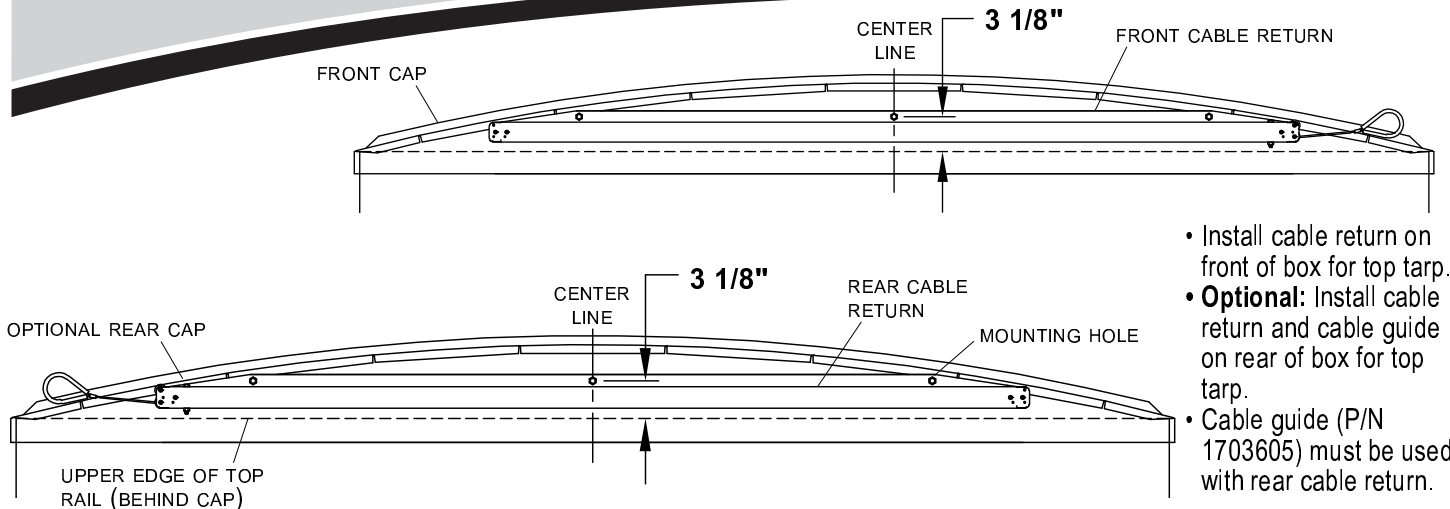
STEP 3: Follow instructions in Shur-Lok® owner's manual (P/N 1100193) to install two crank retainers on rear of box.



CABLE RETURNS & CABLE GUIDE

- Install cable return on front of box for top tarp.
- **Optional:** Install cable return on rear of box for top tarp.
- Cable guide (P/N 1703605) must be used with cable return when installed on rear of box.
- See reverse side of this page for cable return installation instructions.



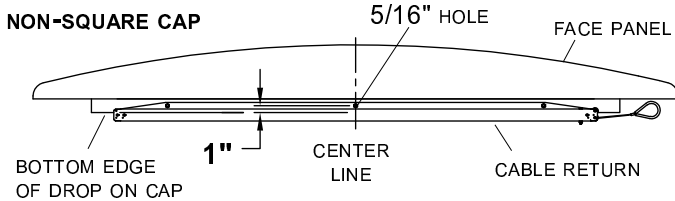


- Install cable return on front of box for top tarp.
- **Optional:** Install cable return and cable guide on rear of box for top tarp.
- Cable guide (P/N 1703605) must be used with rear cable return.

Square-cornered cap: Center and align cable return on face panel.
Non-square cornered cap: Center and align cable return on bottom edge of drop on front cap.

STEP 1: Mark face panel on center line 3 1/8" above upper edge of top rail.

Non-square cap: Mark point on center line of face panel 1" above bottom edge of cap.



STEP 2: Center punch and drill 5/16" hole at mark.

STEP 3: Align center mounting hole on return to drilled hole in cap and fasten with 3/8" x 1" self-tapping screw, lock washer and hex nut.

Extra wide: Align center mounting hole on back plate and on return with drilled hole in cap and fasten with 3/8" x 1" self-tapping screw, lock washer and hex nut.

STEP 4: Align cable return with top rail on box.

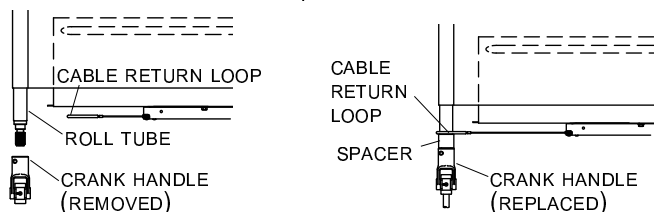
NOTE: Cable return must be parallel with top rail.

STEP 5: Mark other mounting holes and repeat steps 2 and 3.

STEP 6: Release tarp from latchplate and let hang over side of trailer.

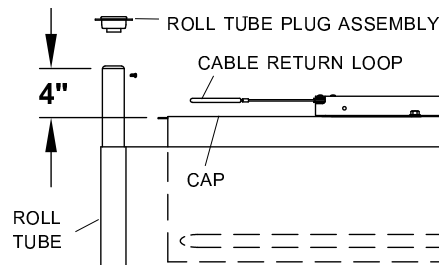
STEP 7: Remove crank handle.

STEP 8: Slide cable return loop over roll tube and reinstall crank handle.



NOTE: Steps 9 to 11 for front return only.

STEP 9: Extend roll tube at least 4" past edge of cap. Roll tube (P/N 1119434) may be used if additional length is required.



STEP 10: Slide cable return loop over roll tube.

STEP 11: Press fit roll tube plug assembly into roll tube.

NOTES

1. Install spacer on roll tube to separate cable loop from weld and/or bring cable into alignment with pulleys, if desired. Shur-Co® recommends using 2-SCH 40 PVC pipe cut to length and deburred.
2. To ensure maximum cable life, adjust cable as needed to prevent cable from rubbing on any obstructions.
3. Inspect roll tube for weld splatter or debris and grind smooth, if needed.
4. Shur-Co® recommends replacing cable assembly every two years for optimum performance.
5. On existing systems, be sure roll tube extends at least 4" past front of trailer. Optional roll tube (P/N 1119434) may be required.
6. If mounting on extra-wide flat cap, additional bracketry may be required. Distance from top of top rail to center of hole must be at least 2".

