



TARPING SYSTEMS & ACCESSORIES

P/N 1126922 Rev. A

INSTALLATION INSTRUCTIONS



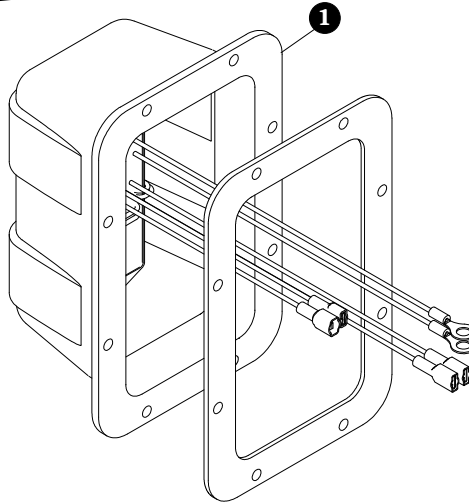
4500 HD Series SMART1+™ Conversion to SMART3™

READ BEFORE INSTALLING

PO BOX 713 ■ 2309 SHUR-LOK STREET ■ YANKTON, SD 57078-0713
PHONE 1-800-4-SHUR-LOK (1-800-474-8756) ■ FAX 605-665-0501
www.shurco.com

SHOP ONLINE: www.shopshurco.com

Item	Part #	Description
1.	1126873	Solenoid Cover Assembly - 4500 Series SMART3™
2.	1705546	Warning Decal - Motorized System



⚠ WARNING

DO NOT OPERATE MOTORIZED SYSTEMS WHILE INDIVIDUALS ARE ON OR OCCUPYING BOX/TRAILER/HOPPER.

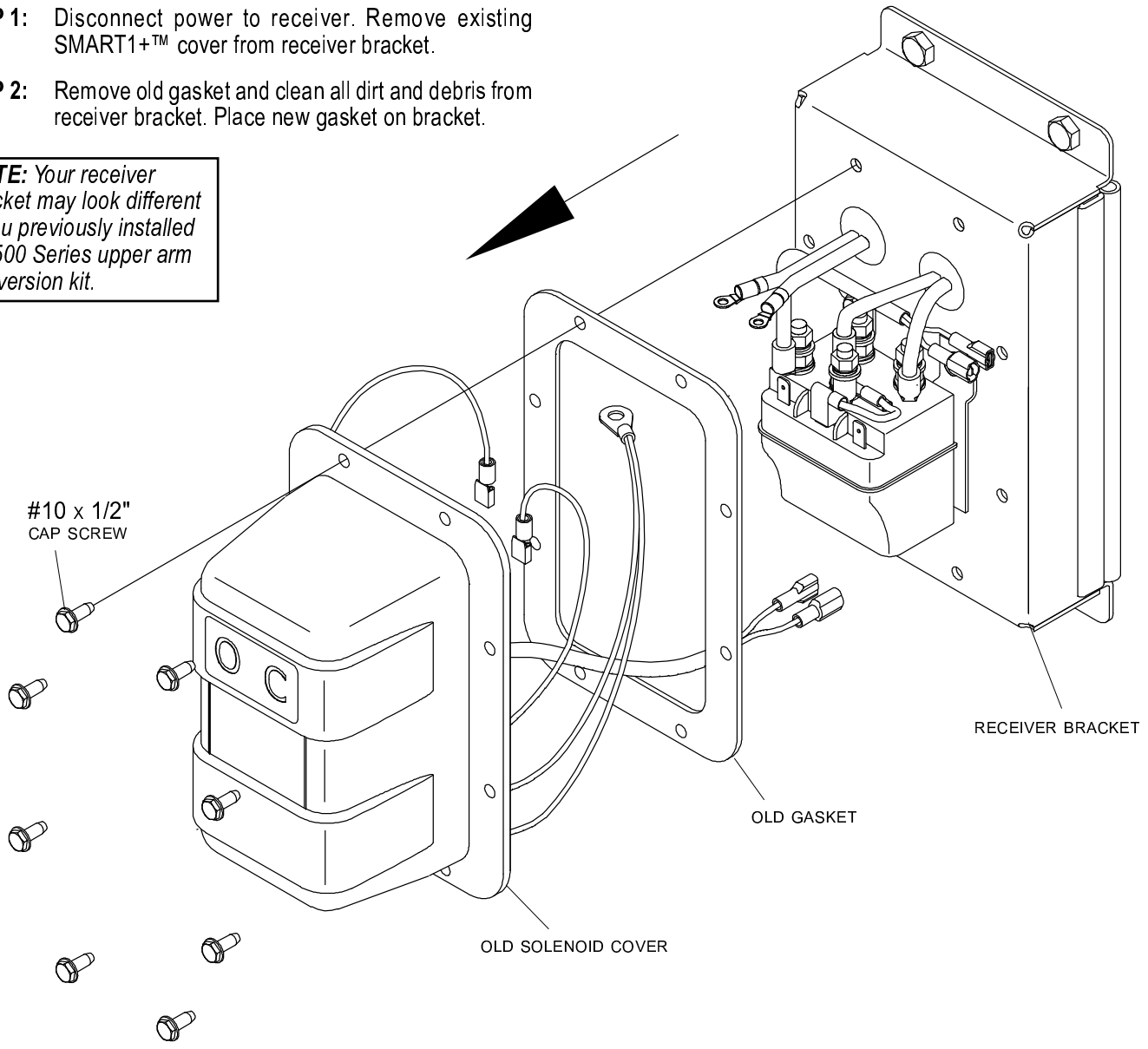
⚠ NOTICE

THIS TARP SYSTEM OPERATES IN EXPRESS MODE. UPON PRESSING THE OPEN/CLOSE BUTTON THE TARP SYSTEM WILL CONTINUE TO TRAVEL TO THE END STOPS. TO STOP THE MOTOR, PRESS EITHER BUTTON. READ OWNERS MANUAL BEFORE OPERATING. CONTACT SHUR-CO® FOR ALL TARP SYSTEM QUESTIONS AT 1-866-748-7435.

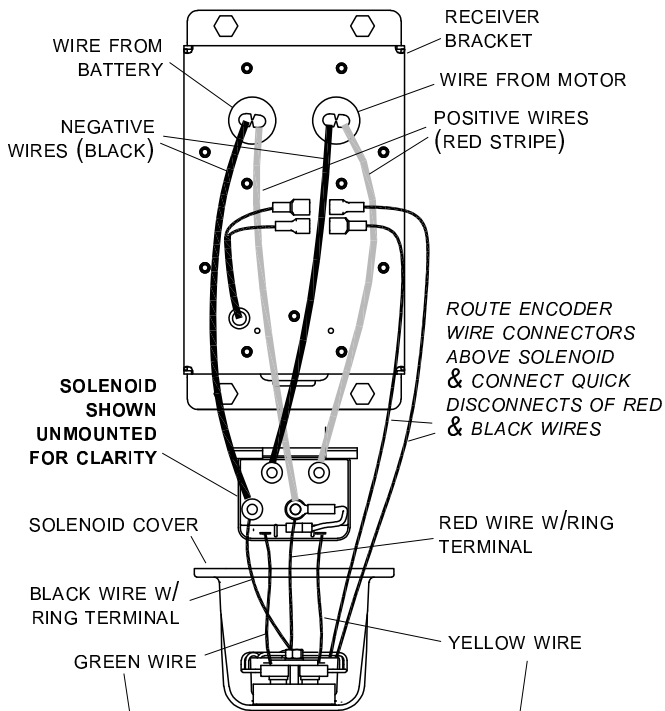
STEP 1: Disconnect power to receiver. Remove existing SMART1+™ cover from receiver bracket.

STEP 2: Remove old gasket and clean all dirt and debris from receiver bracket. Place new gasket on bracket.

NOTE: Your receiver bracket may look different if you previously installed a 4500 Series upper arm conversion kit.



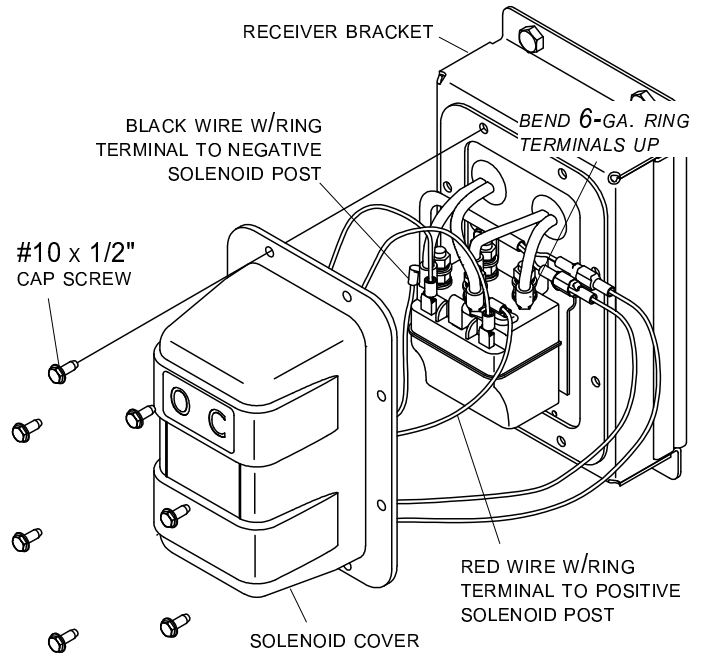
STEP 3: Connect wires from new SMART3™ cover to solenoid as shown below. Wires are attached in same way as SMART1+™ wires were connected.



NOTE: Swap green and yellow wires to reverse motor direction for reverse roll systems.

STEP 4: Reconnect power to receiver. Pair (introduce) SMART3™ remote to receiver as shown in remote instructions (P/N 1126870 or P/N 1126887) and verify operation.

STEP 5: Replace solenoid cover and secure with #10 x 1/2" cap screws.



MORE QUALITY PRODUCTS FROM SHUR-CO®

- **Genuine Replacement Tarps**
- **Genuine Replacement Parts**

- **Agriculture Products**
 - *The Original Shur-Lok®*
 - **Shur-Lok® Junior**
 - **Premium Belt 'n Ratchet**
 - **Cable-Lok™**
 - **Turning Point™ Bow**
 - **Tater-Top™**

- **SMARTrailer™ Accessories for Agriculture Products**
 - **SMART2™ Remote**
 - **SMART3™ Remote**
 - **4500 Series HD Electric**
 - **Electric Shur-Lok®**
 - **AutoTrap™ Hopper Opener**
 - **ProTrap® Hopper Opener**
 - **Electric Gate & Hoist**
 - **LiteALL™ Work Lights**
 - **Cable-Lok™ Electric Upgrade**
 - **Electric Turning Point™ Bow**
 - **Solar Power Pack**

- **Flatbed Products**
 - **ShurTite™ Retractable Tarps**
 - **Stock Lumber & Steel Tarps**

- **Construction Products**
 - *The Original Shur-Lok®*
 - **Shur-Trak II™**
 - **Cover-Pro II®**
 - **Turning Point™ Bow**
 - **IronSide II™**
 - **Shur-Matic™**

- **SMARTrailer™ Accessories for Construction Products**
 - **4500 Series HD Electric w/Gate Flex™**
 - **Shur-Trak II™ Electric Upgrade**
 - **Cover-Pro II® Electric Upgrade**
 - **Electric Turning Point™ Bow**
 - **Solar Power Pack**

- **Custom Products**
 - **Fitted Truck Covers**
 - **Flat Utility Tarps**
 - **Bean Drill Covers**
 - **Gustbuster™ Tarp Cords**

TARPING SYSTEMS & ACCESSORIES

