

SHUR-LOK® FOR FARM BODIES
SHUR-LOK® FOR FARM BODIES
SHUR-LOK® FOR FARM BODIES
SHUR-LOK® FOR FARM BODIES



AGRICULTURE DIVISION



MADE TO FIT MOST MAKES AND MODELS

A003FL-0518

From older trucks to the latest models, Shur-Lok® can protect whatever you haul! Our standard features fit most applications, but a wide range of options are available – like a high-lift end gate kit, designed for use with high-lift end gates wider than the box.

Our high-lift kit is a bolt-on offset adjustable bracket that allows latchplate and tarp stop to be spaced out flush with the endgate width. Galvanized steel end caps come standard – both low-rise and high-rise styles – but an upgrade to aluminum easy-off caps offers easier installation and removal. These anchor with over-center clamps inside the truck box. We also offer standard aluminum caps.

The standard crank arm mounts vertically across the back of the box for 4-position length adjustment with a 21-tooth splined key U-joint to adjust tarp tension every 17°. Upgrade to the Shur-Flex™ crank for more flexibility for cargo doors or grain gates; it folds at the knuckle. Our standard stretch cord return has a protective cover to reduce rope fraying. Upgrade to our patented Shur-Return™, featuring a heavy-duty steel tension spring and 1/4-inch non-stretch solid braid rope.

Key Features: Aluminum Latchplate, Easy-Off Tarp Stops, Galvanized Bows/Brackets, Aluminum End Caps, 1" Ridge Strap w/Ratchet, Stretch Cord Return, Standard Crank Arm w/80" Extension, Pinless Crank Retainer w/7" Standoff, 18-Oz. Vinyl Tarp.



For more information, contact:

www.shurco.com

SHUR-LOK® BOX DETAILS For Farm Bodies, Fertilizer Tenders and Spreaders

CORRECT PHYSICAL MEASUREMENTS ARE ESSENTIAL FOR PROPER TARP FIT. PROVIDE ALL REQUESTED INFORMATION OR YOUR ORDER MAY BE DELAYED. **DO NOT** USE UNIVERSAL BOX SIZES. **ALWAYS** USE ACTUAL MEASUREMENTS.

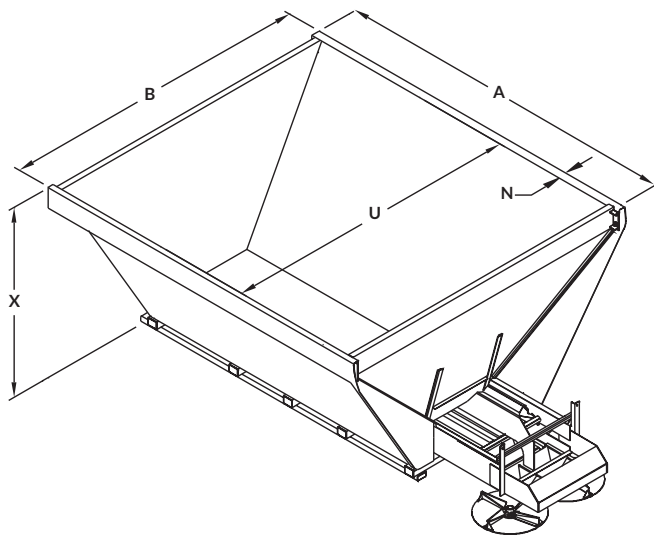
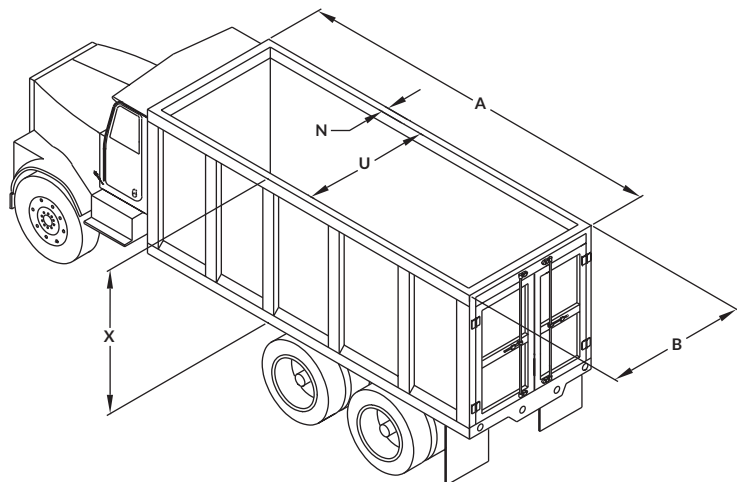
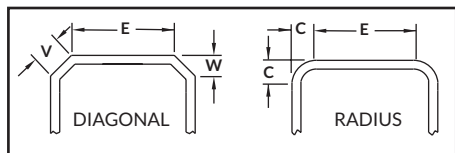


FIGURE 1



CONTACT INFORMATION

G02BD-0512

NAME _____
 ADDRESS _____
 EMAIL _____
 CITY _____ STATE _____ ZIP _____
 PHONE _____ FAX _____
 BOX/TRAILER MAKE _____
 MODEL _____ YEAR _____

BOX DIMENSIONS

A _____ UPPER BOX LENGTH
 B _____ UPPER BOX WIDTH
 Front _____ Center _____ Rear _____
 N _____ TOP RAIL WIDTH
 U _____ INSIDE BOX WIDTH
 X _____ OUTSIDE BOX HEIGHT FROM GROUND

CORNER CONFIGURATION *See Figure 1*

SQUARE DIAGONAL RADIUS

C _____ OUTSIDE CORNER RADIUS *For all radius fronts*
 E _____ FLAT ACROSS FRONT
 V _____ FLAT ACROSS DIAGONAL
 W _____ DIAGONAL DEPTH

IF SPREADER:

GRANULAR BIN: INSIDE BOX OUTSIDE BOX
 SPREADER STYLE: SELF-PROPELLED AIR SYSTEM
 SPINNER PULL-TYPE SPINNER

IF TENDER:

MOUNTING STYLE: TRUCK TENDER
 SPREADER STYLE: REAR SIDE-FOLD REAR
 REAR OVER BOX

TARP WEIGHT*

18 OZ. 22 OZ.

*Tarps for spreaders ONLY available in 18-oz. fabric weight.

TARP COLOR(S) _____