

SHUR-LOK® FOR TENDERS/SPREADERS
SHUR-LOK® FOR TENDERS/SPREADERS
SHUR-LOK® FOR TENDERS/SPREADERS
SHUR-LOK® FOR TENDERS/SPREADERS



AGRICULTURE DIVISION



WATERPROOF PROTECTION KEEPS LOADS DRY

A004FL-0518

Whatever you're hauling, from seed to blended fertilizer to micronutrients, it's critical that contents stay dry. Shur-Lok® is water resistant, durable and easy to open and close. Stainless steel and powder-coated components provide lasting corrosion resistance.

Stainless steel and powder-coated parts come standard, to protect against the corrosion inherent in hauling caustic substances like fertilizer. Stainless bows and brackets, end caps, ridge straps and crank retainers offer improved performance, longer life and a sharper appearance. Even our standard-issue easy-off tarp stops feature a stainless steel stop body, plus powder coating for lasting durability.

Key Features: Aluminum Latchplate, Powder-Coated Easy-Off Tarp Stops w/Stainless Stop Bodies, Stainless Bows/Brackets, Stainless End Caps, Stainless 1" Ridge Strap w/Ratchet, Stretch Cord Return, Standard Crank Arm w/80" Extension, Stainless Pinless Crank Retainer w/7" Standoff, 18-Oz. Vinyl Tarp.



For more information, contact:

www.shurco.com

SHUR-LOK® BOX DETAILS For Farm Bodies, Fertilizer Tenders and Spreaders

CORRECT PHYSICAL MEASUREMENTS ARE ESSENTIAL FOR PROPER TARP FIT. PROVIDE ALL REQUESTED INFORMATION OR YOUR ORDER MAY BE DELAYED. **DO NOT** USE UNIVERSAL BOX SIZES. **ALWAYS** USE ACTUAL MEASUREMENTS.

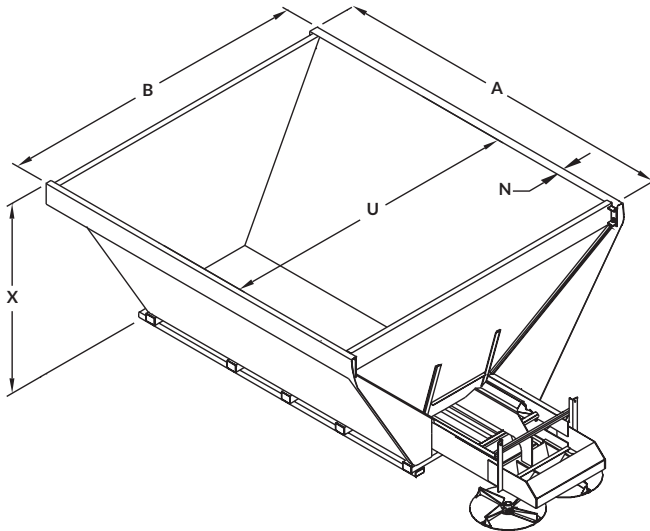
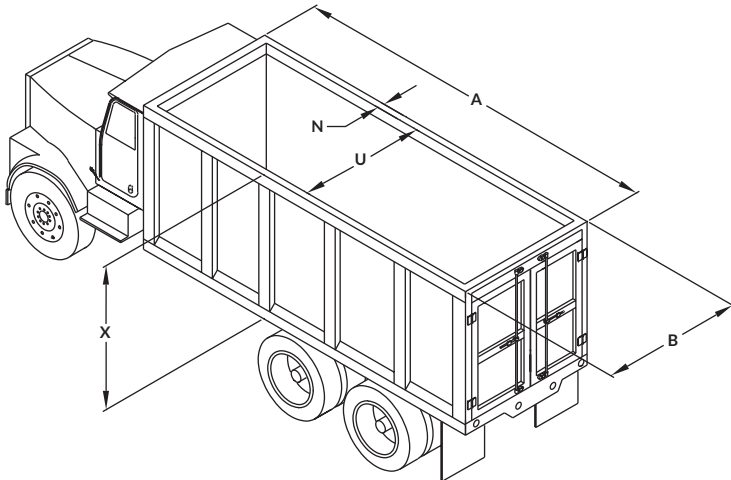
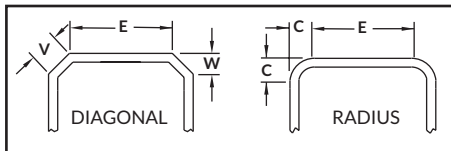


FIGURE 1



CONTACT INFORMATION

G02BD-0512

NAME _____
 ADDRESS _____
 EMAIL _____
 CITY _____ STATE _____ ZIP _____
 PHONE _____ FAX _____
 BOX/TRAILER MAKE _____
 MODEL _____ YEAR _____

BOX DIMENSIONS

A _____ UPPER BOX LENGTH
 B _____ UPPER BOX WIDTH
 Front _____ Center _____ Rear _____
 N _____ TOP RAIL WIDTH
 U _____ INSIDE BOX WIDTH
 X _____ OUTSIDE BOX HEIGHT FROM GROUND

CORNER CONFIGURATION *See Figure 1*

SQUARE DIAGONAL RADIUS

C _____ OUTSIDE CORNER RADIUS *For all radius fronts*
 E _____ FLAT ACROSS FRONT
 V _____ FLAT ACROSS DIAGONAL
 W _____ DIAGONAL DEPTH

IF SPREADER:

GRANULAR BIN: INSIDE BOX OUTSIDE BOX
 SPREADER STYLE: SELF-PROPELLED AIR SYSTEM
 SPINNER PULL-TYPE SPINNER

IF TENDER:

MOUNTING STYLE: TRUCK TENDER
 SPREADER STYLE: REAR SIDE-FOLD REAR
 REAR OVER BOX

TARP WEIGHT*

18 OZ. 22 OZ.

*Tarps for spreaders ONLY available in 18-oz. fabric weight.

TARP COLOR(S) _____