

CABLE-LOK™ FOR GRAIN CARTS



AGRICULTURE DIVISION



SMOOTH AND EASY TARP OPERATION

A007FL-0518

Cable-Lok™ is the smoothest move in tarping – it goes from open to closed, simply and easily. Spring-loaded tension with cable attachment keeps your tarp tight, even in moderate wind conditions. Ratchets let you adjust tarp tension at install. Cable-Lok™ covers boxes up to 24' long and 12' wide.

Durable nylon spools and a galvanized steel cable offer a unique blend of strength and endurance, to keep the system operating smoothly year after year. A non-collapsible, reinforced flexible hose assembly moves the tarp spool freely and easily across the end caps. The telescoping/indexing crank arm provides optimum adjustment – a nylon sleeve bushing lets you quickly change arm length and the indexing handle adjusts to 6 angles set by 60° increments. Its easily disassembled 2-piece design makes for economical replacement.

Key Features: No-Weld Install, Easy-Off Tarp Stops, Galvanized Bows/Brackets, Galvanized End Caps, 1" Ridge Strap, Galvanized Telescoping/Indexing Crank, Telescoping Nylon Crank Retainer, Spool w/Galvanized Cable and Zinc-Plated Ratchets, Aluminum Roll Tube w/Channeled Tarp Attachment, Galvanized Fixed Tube, 18-Oz. Vinyl Tarp.



For more information, contact:

www.shurco.com

CABLE-LOK™ BOX DETAILS For Grain Carts

CORRECT PHYSICAL MEASUREMENTS ARE ESSENTIAL FOR PROPER TARP FIT. PROVIDE ALL REQUESTED INFORMATION OR YOUR ORDER MAY BE DELAYED. **DO NOT** USE UNIVERSAL BOX SIZES. **ALWAYS** USE ACTUAL MEASUREMENTS.

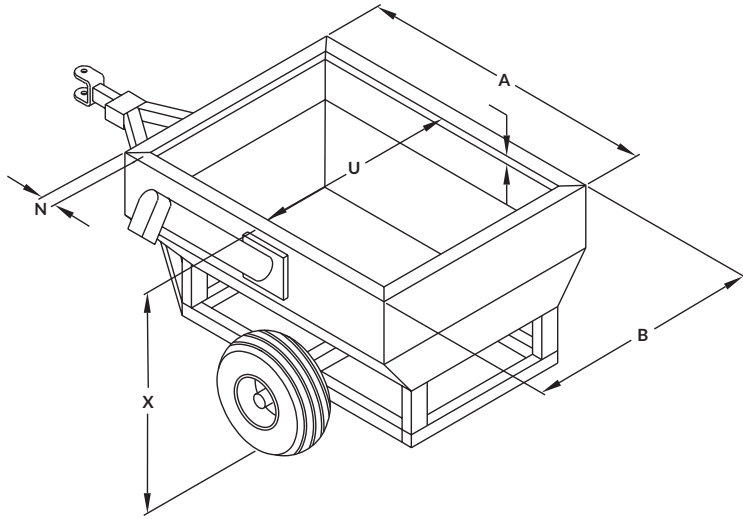


FIGURE 1

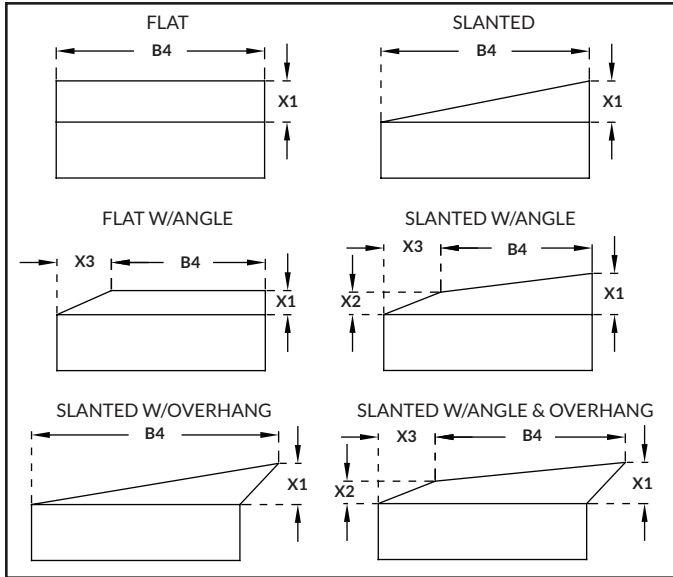


FIGURE 2

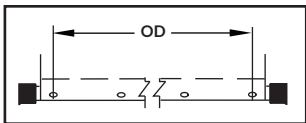
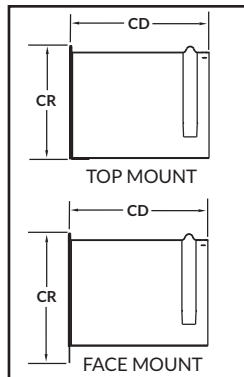


FIGURE 3



CONTACT INFORMATION

G05BD-0217

NAME _____
 ADDRESS _____
 EMAIL _____
 CITY _____ STATE _____ ZIP _____
 PHONE _____ FAX _____
 BOX/TRAILER MAKE _____
 MODEL _____ YEAR _____

BOX DIMENSIONS

A _____ UPPER OUTSIDE BOX LENGTH
 B _____ UPPER OUTSIDE BOX WIDTH
 Front _____ Center _____ Rear _____
 N _____ TOP RAIL WIDTH
 U _____ INSIDE BOX WIDTH
 X _____ OUTSIDE BOX HEIGHT FROM GROUND

LIP IN LIP OUT

REAR CONFIGURATION *Must answer this*

VERTICAL SLOPED

BOX EXTENSION STYLE *See Figure 1*

FLAT SLANTED FLAT W/ANGLE
 SLANTED W/ANGLE SLANTED W/OVERHANG
 SLANTED W/OVERHANG AND ANGLE

BOX EXTENSION DIMENSIONS

B4 _____ EXTENSION WIDTH
 X1 _____ EXTENSION HEIGHT DRIVER'S SIDE
 X2 _____ EXTENSION HEIGHT PASSENGER SIDE
 X3 _____ LOWER EXTENSION ANGLE

TARP COLOR(S) _____

REPLACEMENT TARPS

TYPE OF TARP BEING REPLACED *See Figure 2 for outer hole distance*

CABLE-LOK™ W/CHANNEL
 OTHER W/CHANNEL OTHER BRAND _____
 OTHER W/RIVETS No. Rivets _____ Outer Hole Distance _____

_____ FINISHED SEWN TARP LENGTH

_____ FINISHED SEWN TARP WIDTH

TYPE OF CAP MEASURED *See Figure 3*

FACE MOUNT TOP MOUNT

CR _____ END CAP RISE

CD _____ END CAP DEPTH Front _____ Rear _____

_____ OUTSIDE END CAP TO END CAP LENGTH

_____ BOX WIDTH

_____ BOX LENGTH