



DESIGNED TO ENDURE CORROSIVE PRODUCT

A009FL-0518

Whether you're hauling seed, blended fertilizer or micronutrients, Cable-Lok™ provides waterproof protection when it's crucial that loads stay dry. Its stainless steel and powder-coated components are designed to stand up to the most corrosive environments.

All of that stainless steel and powder coating come standard, adding durability and lasting performance by helping to reduce the corrosion problems that go hand in hand with hauling fertilizer. An ideal upgrade is our flexible easy-off tarp stop. It's also corrosion resistant, with just the right amount of give, even in subzero temperatures.

Key Features: No-Weld Install, Powder-Coated Easy-Off Tarp Stops w/Stainless Bodies, Stainless Bows/Brackets, Stainless End Caps, Stainless 1" Ridge Strap, Stainless Telescoping/Indexing Crank Arm, Telescoping Nylon Crank Retainer, Spool w/Stainless Cable and Zinc-Plated Ratchets, Aluminum Roll Tube w/Channeled Tarp Attachment, Stainless Fixed Tube, 18-Oz. Vinyl Tarp.



For more information, contact:

CABLE-LOK™ BOX DETAILS For Fertilizers and Spreaders

CORRECT PHYSICAL MEASUREMENTS ARE ESSENTIAL FOR PROPER TARP FIT. PROVIDE ALL REQUESTED INFORMATION OR YOUR ORDER MAY BE DELAYED. **DO NOT** USE UNIVERSAL BOX SIZES. **ALWAYS** USE ACTUAL MEASUREMENTS.

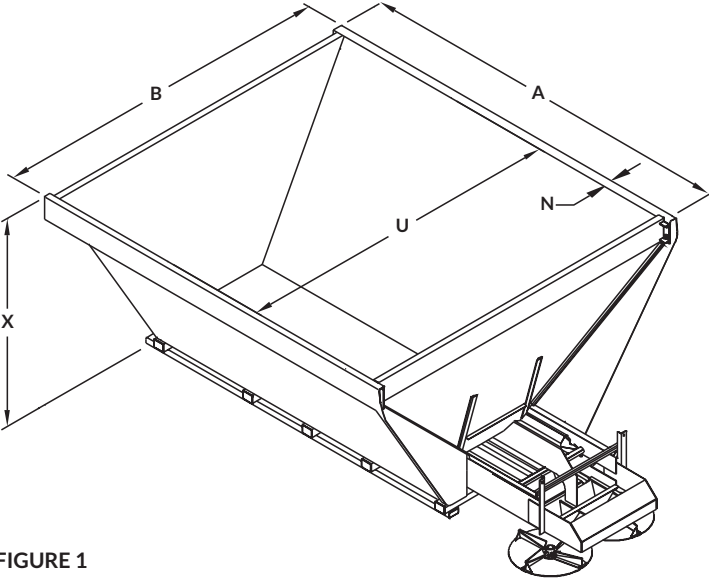


FIGURE 1

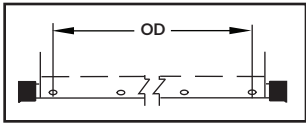
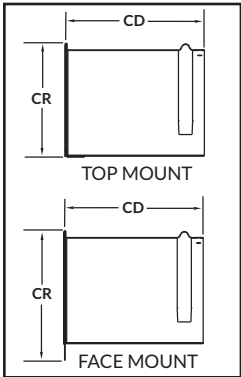


FIGURE 2



CONTACT INFORMATION G07BD-0512

NAME _____
 ADDRESS _____
 EMAIL _____
 CITY _____ STATE _____ ZIP _____
 PHONE _____ FAX _____
 BOX/TRAILER MAKE _____
 MODEL _____ YEAR _____

BOX DIMENSIONS

A _____ UPPER BOX LENGTH
 B _____ UPPER BOX WIDTH
 N _____ TOP RAIL WIDTH
 U _____ INSIDE BOX WIDTH
 X _____ OUTSIDE BOX HEIGHT FROM GROUND

IF SPREADER:
 GRANULAR BIN: INSIDE BOX OUTSIDE BOX
 SPREADER STYLE: SELF-PROPELLED AIR SYSTEM
 SPINNER PULL-TYPE SPINNER

IF TENDER:
 MOUNTING STYLE: TRUCK TENDER
 SPREADER STYLE: REAR SIDE-FOLD REAR
 REAR OVER BOX

TARP COLOR(S) _____

REPLACEMENT TARPS

TYPE OF TARP BEING REPLACED *See Figure 1 for outer hole distance*
 CABLE-LOK™ W/CHANNEL
 OTHER W/CHANNEL OTHER BRAND _____
 OTHER W/RIVETS No. Rivets _____ Outer Hole Distance _____
 _____ FINISHED SEWN TARP LENGTH
 _____ FINISHED SEWN TARP WIDTH

TYPE OF CAP MEASURED *See Figure 2*
 STAINLESS FACE MOUNT STAINLESS TOP MOUNT
 GALVANIZED FACE MOUNT GALVANIZED TOP MOUNT
 CR _____ END CAP RISE
 CD _____ END CAP DEPTH Front _____ Rear _____
 _____ OUTSIDE END CAP TO END CAP LENGTH
 _____ BOX WIDTH
 _____ BOX LENGTH