

CABLE-LOK™ FOR FARM BODIES  
CABLE-LOK™ FOR FARM BODIES  
**CABLE-LOK™ FOR FARM BODIES**  
CABLE-LOK™ FOR FARM BODIES



AGRICULTURE DIVISION



**MADE TO FIT MOST MAKES AND MODELS**

A008FL-0518

Now you can quick-roll your tarp while standing in one spot – no need to keep shifting around for a better angle. Cable-Lok™ provides smooth and easy tarp operation from fully open to completely closed while spring-loaded tension keeps the tarp tight. Covers boxes up to 24' long and 12' wide.

The Cable-Lok™ system has an extruded tarp attachment slot running the full length of the aluminum roll tube. Once inserted, a safety rod anchors the tarp in place for easier removal, if necessary. Tension is distributed evenly along the fabric – no binding, overlap or friction.

Our easy-off tarp stops let you remove the tarp with minimal tools in the shortest amount of time. An upgrade to 6" easy-off stops allows you to store the tarp off to the side of the top rail.

**Key Features:** No-Weld Install, Easy-Off Tarp Stops, Galvanized Bows/Brackets, Galvanized End Caps, 1" Ridge Strap, Galvanized Telescoping/Indexing Crank, Telescoping Nylon Crank Retainer, Spool w/Galvanized Cable and Zinc-Plated Ratchets, Aluminum Roll Tube w/Channeled Tarp Attachment, Galvanized Fixed Tube, 18-Oz. Vinyl Tarp.



*For more information, contact:*

[www.shurco.com](http://www.shurco.com)

# CABLE-LOK™ BOX DETAILS For Farm Bodies

CORRECT PHYSICAL MEASUREMENTS ARE ESSENTIAL FOR PROPER TARP FIT. PROVIDE ALL REQUESTED INFORMATION OR YOUR ORDER MAY BE DELAYED. **DO NOT** USE UNIVERSAL BOX SIZES. **ALWAYS** USE ACTUAL MEASUREMENTS.

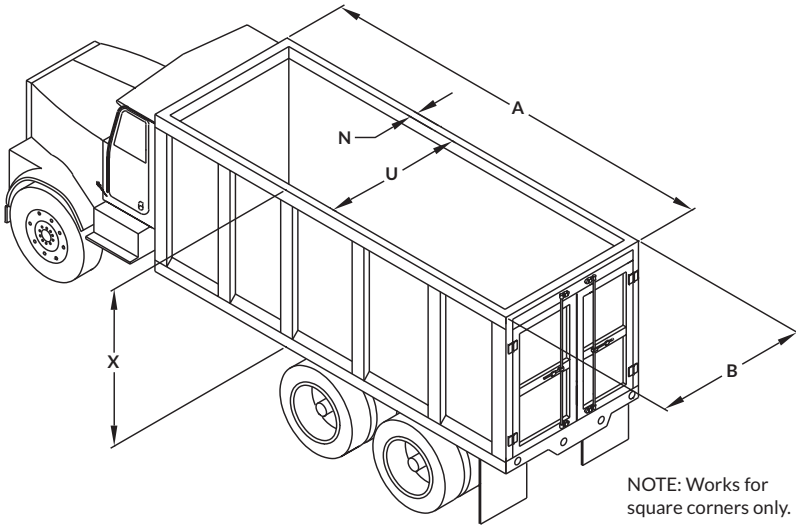


FIGURE 1

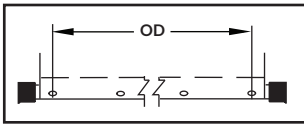
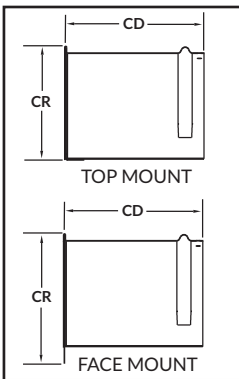


FIGURE 2



## CONTACT INFORMATION

G06BD-0512

NAME \_\_\_\_\_  
 ADDRESS \_\_\_\_\_  
 EMAIL \_\_\_\_\_  
 CITY \_\_\_\_\_ STATE \_\_\_\_\_ ZIP \_\_\_\_\_  
 PHONE \_\_\_\_\_ FAX \_\_\_\_\_  
 BOX/TRAILER MAKE \_\_\_\_\_  
 MODEL \_\_\_\_\_ YEAR \_\_\_\_\_

## BOX DIMENSIONS

A \_\_\_\_\_ UPPER BOX LENGTH  
 B \_\_\_\_\_ UPPER BOX WIDTH  
 N \_\_\_\_\_ TOP RAIL WIDTH  
 U \_\_\_\_\_ INSIDE BOX WIDTH  
 X \_\_\_\_\_ OUTSIDE BOX HEIGHT FROM GROUND

TARP COLOR(S) \_\_\_\_\_

## REPLACEMENT TARPS

TYPE OF TARP BEING REPLACED *See Figure 1 for outer hole distance*

- CABLE-LOK™ W/CHANNEL
- OTHER W/CHANNEL OTHER BRAND \_\_\_\_\_
- OTHER W/RIVETS No. Rivets \_\_\_\_\_ Outer Hole Distance \_\_\_\_\_

\_\_\_\_\_ FINISHED SEWN TARP LENGTH

\_\_\_\_\_ FINISHED SEWN TARP WIDTH

TYPE OF CAP MEASURED *See Figure 2*

- FACE MOUNT
- TOP MOUNT

CR \_\_\_\_\_ END CAP RISE

CD \_\_\_\_\_ END CAP DEPTH Front \_\_\_\_\_ Rear \_\_\_\_\_

\_\_\_\_\_ OUTSIDE END CAP TO END CAP LENGTH

\_\_\_\_\_ BOX WIDTH

\_\_\_\_\_ BOX LENGTH