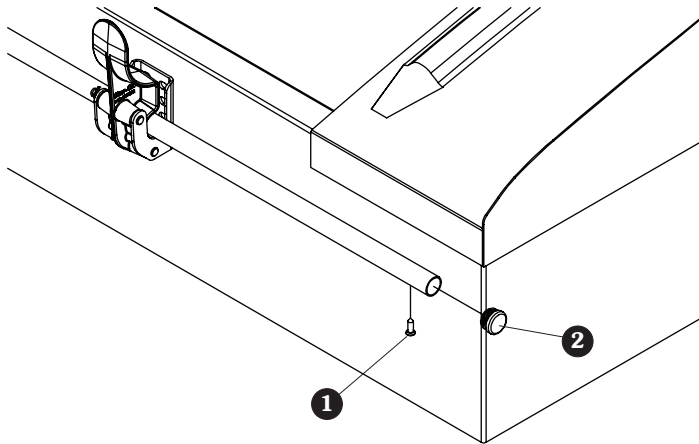


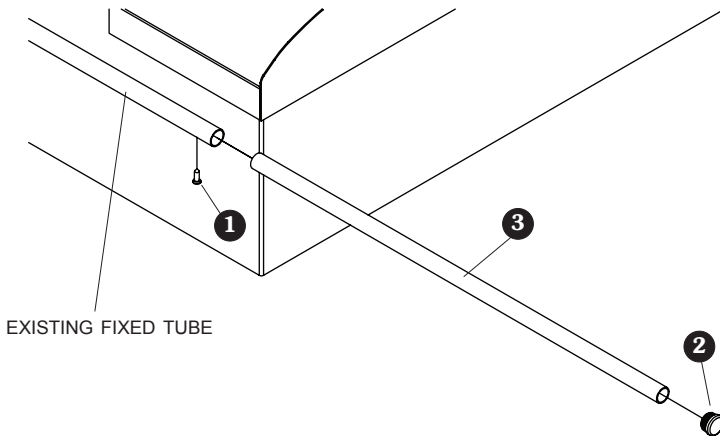
Item	Part #	Description
1.	1704768	Self-Drilling Screw - 1/2" x 3/4"
2.	1700523	End Plug
3.	1706102	Reinforcement Tube

STEP 1: Locate and remove self-tapping screw ① from bottom of fixed tube holding tarp to tube.

STEP 2: Remove plastic cap ② from end of tube.

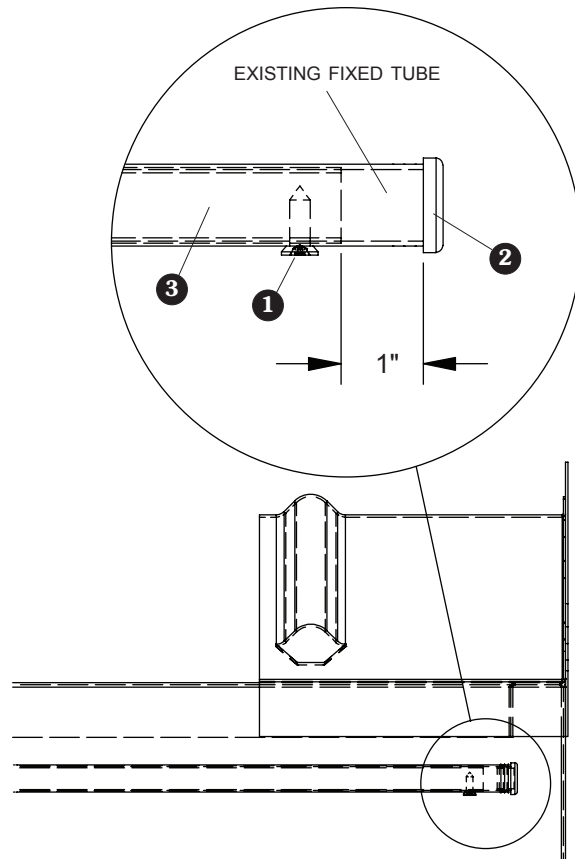


STEP 3: Place fixed tube reinforcement ③ in fixed tube approximately 1" from end.



STEP 4: Using new self-tapping screw ①, secure tarp and fixed reinforcement tube using existing hole in fixed tube.

STEP 5: Replace end cap ②.



STEP 6: Repeat process on other end of fixed tube.