

SERVICE TRUCK POWER KITS

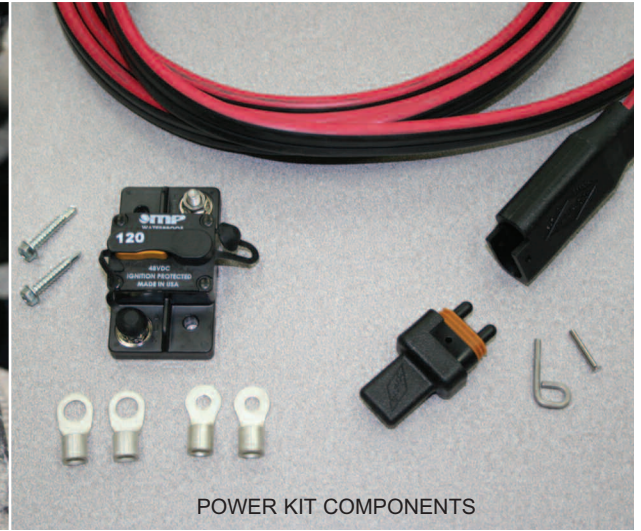


AGRICULTURE DIVISION



NO NEED TO OPEN TRUCK HOOD

POWER KIT ASSEMBLED



POWER KIT COMPONENTS

"QUICK-DISCONNECT" CONNECTIONS

A037FL-0519

Mounts on vehicle grille or other convenient location.

P/N 1128064 - SERVICE TRUCK POWER KIT

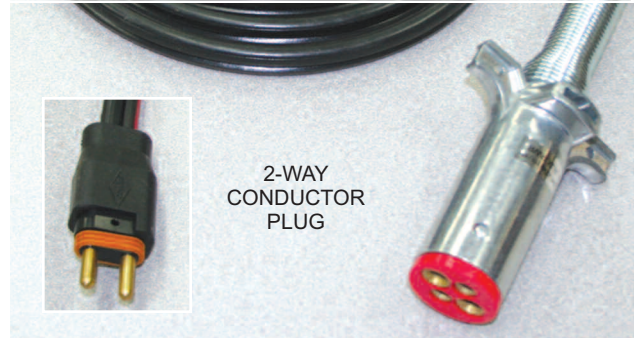
- 4-Ga. Wire, 12' Long
- Includes High-Quality Manual Reset Circuit Breaker



Provides power to trailers with horizontal or vertical power sockets.

P/N 1128065 - HEAVY-DUTY 2-WAY CONDUCTOR PLUG

- 6- Ga. Wire, 10' Long
- Use with P/N 1128064



2-WAY CONDUCTOR PLUG

Ideal for farm machinery that may require frequent jump starts.

P/N 1128066 - HEAVY-DUTY 2-WAY CONDUCTOR SOCKET

- 6-Ga. Wire, 3'6" Long
- Permanent and Convenient - Includes Mounting Bracket
- Can Also be Installed on Winches or Other 12V Motors
- Use with P/N 1128064 and P/N 1128065



2-WAY CONDUCTOR SOCKET

Sealed SMARTwire™ connection between jumper cables/service truck.

P/N 1128067 - JUMPER CABLE KIT

- 4-Ga. Wire, 12' Long
- High-Quality, Insulated Cable Clamps
- Use with P/N 1128064



JUMPER CABLE KIT

Extends reach from service truck to accessories.

EXTENSION CABLES

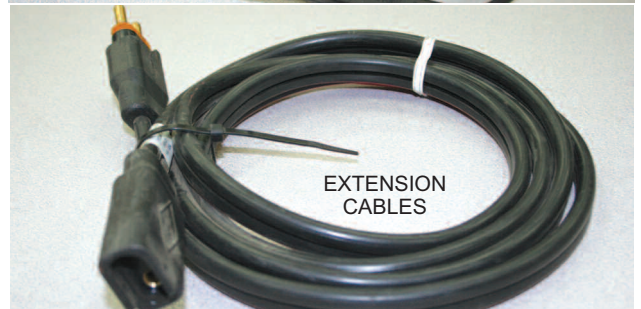
- 4-Ga. Wire
- Use with P/N 1128064, Accessory 1128065 or Jumper Cable Kit 1128067

P/N 1128099 - 8'

P/N 1128100 - 12'

P/N 1128101 - 16'

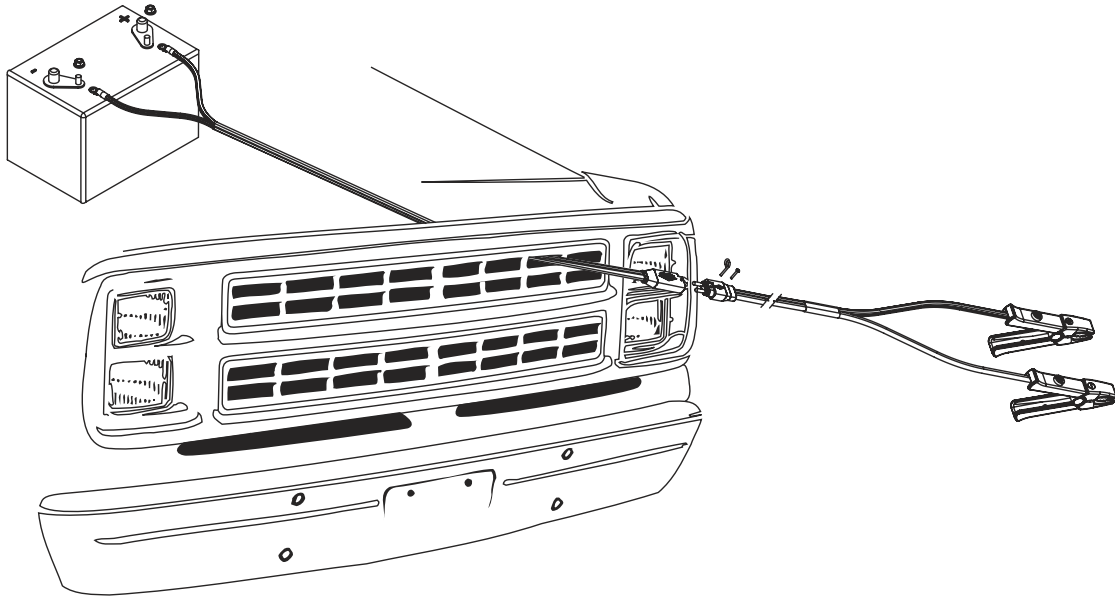
P/N 1128102 - 20'



EXTENSION CABLES



AGRICULTURE DIVISION



FOR JUMP STARTS THRU CLOSED HOOD

Our Service Truck Power Kit offers dependable, convenient power for your service and fleet vehicles. Base stays mounted on your battery, for constant availability. Accessories (heavy-duty plug and socket, jumper cable kit, extension cables in four lengths – shown on reverse side) plug in, ready to go!

Light up the scene! Select a LiteALL™ LED flood beam set into hinged mounting bracket swivel forward and back for optimal adjustability.

P/N 1128324 – SERVICE TRUCK LED WORK LIGHT

- 30,000 Hours Estimated Life
- Magnetic Base
- IP67 Waterproof Rating
- 24-Watt Output
- 1600 Lumens
- 1.8-Amp Draw

Plenty of room for all kit choices listed on reverse side of flyer.

P/N 1128299 – HEAVY-DUTY SERVICE TRUCK ACCESSORY BAG

