

4500 HD FOR GRAIN CARTS



AGRICULTURE DIVISION



HD ARM OPERATES SMOOTHLY OVER LOADS

A038FL-0619

The 4500 Series HD works as an application on existing Shur-Loks on grain carts. Reliable motor with all-metal casing and patented dual-pivoting motor mount operates heavy-duty extruded aluminum arms – the strongest on the market, with a lifetime guarantee against breakage.

Super-strong tension arm opens and closes the tarp with smooth, consistent tension. Our exclusive dual-pivoting, Durabuilt™ motor mount allows for any misalignment of the roll tube without stress to the motor or arm. Arm is easily moved by 4-spiral torsion springs (heavy-duty front cable return is included with single-arm series).

Key Features: 4-Spiral Torsion Springs, Heavy-Duty Aluminum Bracket, Aluminum Heavy-Duty Arm, Cab Wiring Kit for Standard Electric Hardware, 90° Worm Gear Durabuilt™ Motor, Heavy-Duty Front Cable Return.

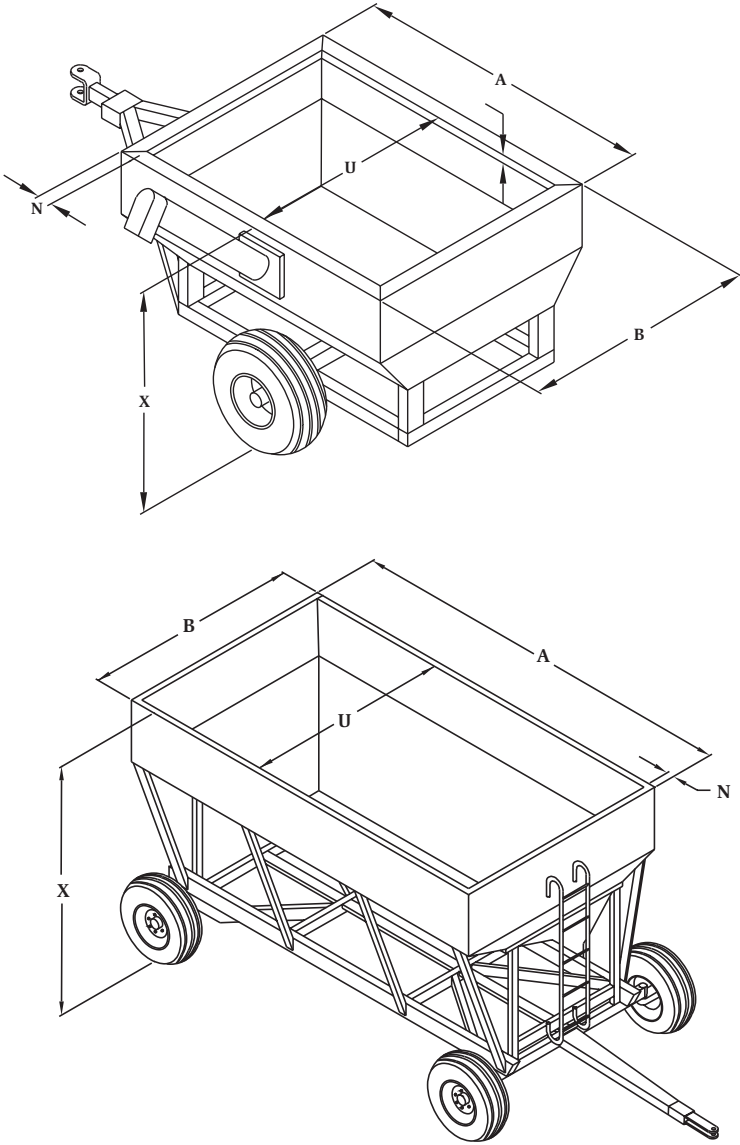


For more information, contact:

www.shurco.com

SHUR-LOK® BOX DETAILS For Grain Carts and Wagons

CORRECT PHYSICAL MEASUREMENTS ARE ESSENTIAL FOR PROPER TARP FIT. PROVIDE ALL REQUESTED INFORMATION OR YOUR ORDER MAY BE DELAYED. **DO NOT USE UNIVERSAL BOX SIZES. ALWAYS USE ACTUAL MEASUREMENTS.**



CONTACT INFORMATION

G01BD-0217

NAME _____
 ADDRESS _____
 EMAIL _____
 CITY _____ STATE _____ ZIP _____
 PHONE _____ FAX _____
 BOX/TRAILER MAKE _____
 MODEL _____ YEAR _____

BOX DIMENSIONS

A _____ UPPER OUTSIDE BOX LENGTH
 B _____ UPPER OUTSIDE BOX WIDTH
 Front _____ Center _____ Rear _____
 N _____ TOP RAIL WIDTH
 U _____ INSIDE BOX WIDTH
 X _____ UPPER OUTSIDE BOX HEIGHT

LIP IN LIP OUT

REAR CONFIGURATION *Must answer this*

VERTICAL SLOPED

BOX EXTENSION STYLE *See Figures 1 and 2*

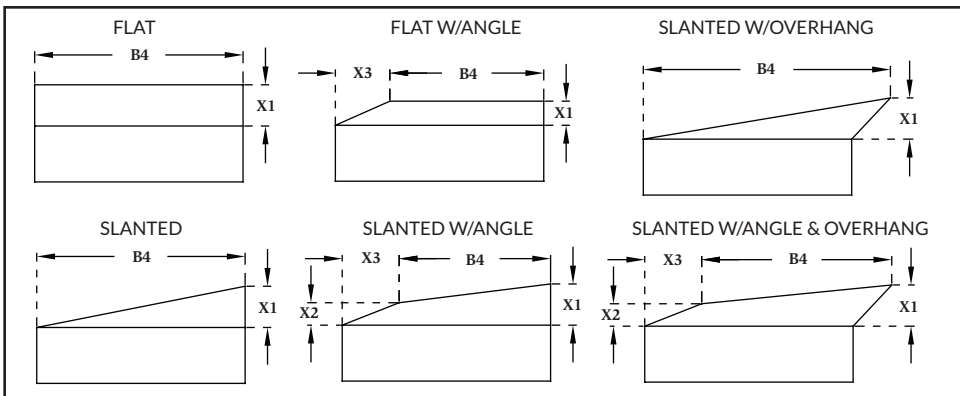
FLAT SLANTED FLAT W/ANGLE
 SLANTED W/ANGLE SLANTED W/OVERHANG
 SLANTED W/OVERHANG AND ANGLE

BOX EXTENSION DIMENSIONS

B4 _____ EXTENSION WIDTH
 X1 _____ EXTENSION HEIGHT DRIVER SIDE
 X2 _____ EXTENSION HEIGHT PASSENGER SIDE
 X3 _____ LOWER EXTENSION ANGLE

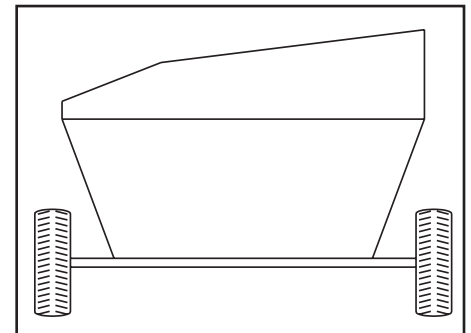
TARP COLOR(S) _____

FIGURE 1



NOTE: Flat caps can ONLY be used on a SLANTED extension (see above), and the side walls MUST BE VERTICAL.

FIGURE 2



NOTE: If ordering galvanized caps, make sure box is flat across top. Figure 2 shows a box with an uneven angle across the top. Galvanized caps will NOT fit this box; you must order fabric caps instead.