



# 4500HD

## FOR GRAIN CARTS



A038FL-0620



### FEATURES AND BENEFITS

- 4-Spiral Torsion Springs
- Heavy-Duty Aluminum Bracket
- Aluminum Heavy-Duty Arm
- Cab Wiring Kit for Standard Electric Hardware
- 90° Worm Gear Durabuilt™ Motor
- Heavy-Duty Front Cable Return

The 4500 Series HD works as an application on existing Shur-Loks on grain carts. Reliable motor with all-metal casing and patented dual-pivoting motor mount operates heavy-duty extruded aluminum arms – the strongest on the market, with a lifetime guarantee against breakage.

Super-strong tension arm opens and closes the tarp with smooth, consistent tension. Our exclusive dual-pivoting, Durabuilt™ motor mount allows for any misalignment of the roll tube without stress to the motor or arm. Arm is easily moved by 4-spiral torsion springs (heavy-duty front cable return is included with single-arm series

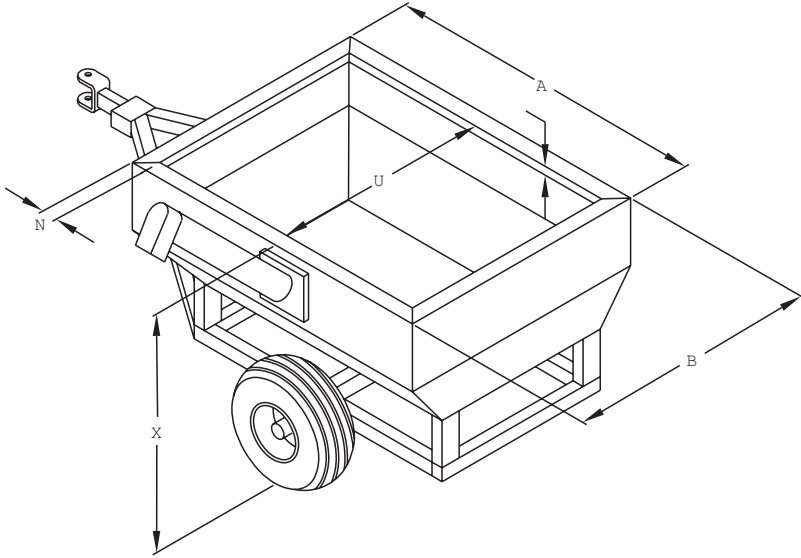


800.474.8756

WWW.SHURCO.COM

# 4500 SERIES HD BOX DETAILS For Grain Carts

CORRECT PHYSICAL MEASUREMENTS ARE ESSENTIAL FOR PROPER TARP FIT. PROVIDE ALL REQUESTED INFORMATION OR YOUR ORDER MAY BE DELAYED. **DO NOT USE UNIVERSAL BOX SIZES. ALWAYS USE ACTUAL MEASUREMENTS.**



NOTE: Kits are designed for boxes 144" or narrower. Wider boxes will require Shur-Co® engineering approval.

## CONTACT INFORMATION

G15D-1019

NAME \_\_\_\_\_

ADDRESS \_\_\_\_\_

EMAIL \_\_\_\_\_

CITY \_\_\_\_\_ STATE \_\_\_\_\_ ZIP \_\_\_\_\_

PHONE \_\_\_\_\_ FAX \_\_\_\_\_

MAKE/MODEL# \_\_\_\_\_ YEAR \_\_\_\_\_

## BOX DIMENSIONS

A \_\_\_\_\_ UPPER OUTSIDE BOX LENGTH

B \_\_\_\_\_ UPPER OUTSIDE BOX WIDTH

Front \_\_\_\_\_ Center \_\_\_\_\_ Rear \_\_\_\_\_

N \_\_\_\_\_ TOP RAIL WIDTH

U \_\_\_\_\_ INSIDE BOX WIDTH

X \_\_\_\_\_ UPPER OUTSIDE BOX HEIGHT

LIP IN

LIP OUT

REAR SLOPE DIMENSIONS *See Figure 1*

S1 \_\_\_\_\_ REAR UPPER VERTICAL

S2 \_\_\_\_\_ SLOPE HEIGHT

S3 \_\_\_\_\_ SLOPE LENGTH

S4 \_\_\_\_\_ REAR CROSSBEAM HEIGHT

BOX EXTENSION STYLE *See Figures 2 and 3*

FLAT

SLANTED

FLAT W/ANGLE

SLANTED W/ANGLE

SLANTED W/OVERHANG

SLANTED W/OVERHANG AND ANGLE

BOX EXTENSION DIMENSIONS

B4 \_\_\_\_\_ EXTENSION WIDTH

FIGURE 1

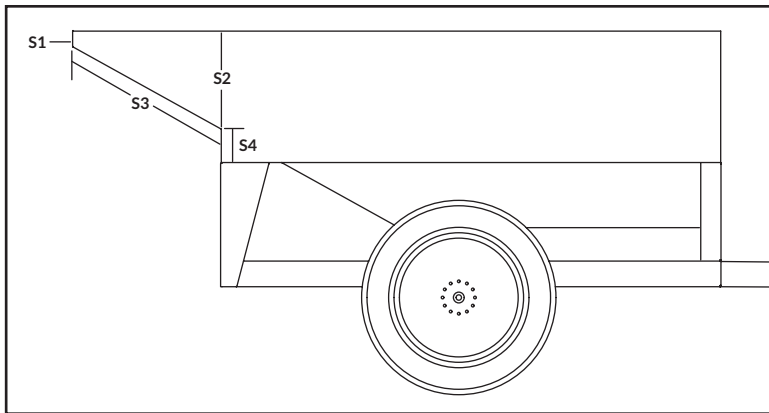
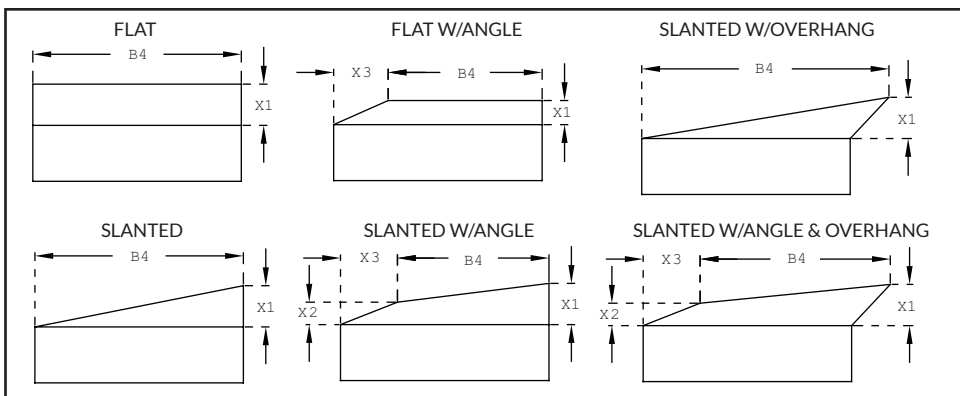
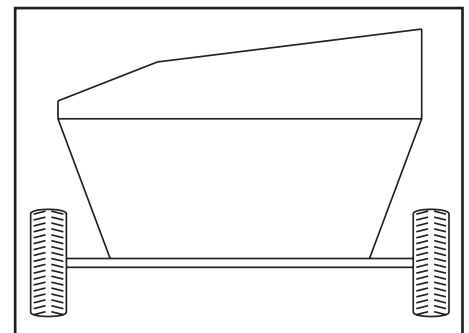


FIGURE 2



NOTE: Flat caps can ONLY be used on a SLANTED extension (see above), and the side walls MUST BE VERTICAL.

FIGURE 3



NOTE: If ordering galvanized caps, make sure box is flat across top. Figure 2 shows a box with an uneven angle across the top. Galvanized caps will NOT fit this box; you must order fabric caps instead.