

BOX DETAIL SHEET FOR DRIVEMAXX™ ELECTRIC SWING AUGER DRIVE

ALL TARPS ARE CUSTOM-MADE TO ORDER AND ARE NON-RETURNABLE. CORRECT PHYSICAL MEASUREMENTS ARE ESSENTIAL FOR PROPER TARP FIT. PROVIDE ALL REQUESTED INFORMATION OR YOUR ORDER MAY BE DELAYED. DO NOT USE UNIVERSAL BOX SIZES. ALWAYS USE ACTUAL MEASUREMENTS. NOTE: AT THIS TIME, PRODUCT WILL NOT WORK WITH CONVEYOR BELT AUGERS.

CONTACT INFORMATION

NAME _____
 ADDRESS _____
 EMAIL _____
 CITY _____ STATE _____ ZIP _____
 PHONE _____ FAX _____
 AUGER MAKE _____
 MODEL _____ YEAR _____



Shur-Co®
Dealer Locator



Drive Maxx™
Landing Page

G14BD-1118

Call your local dealer for more information or use the QR code at the far left for our Dealer Locator. Or use the QR code for Shur-Co's DriveMaxx™ for more product details on our website.

AUGER DIMENSIONS

A _____ TRANSITION BOX WIDTH (ACTUAL)

B TUBE DIAMETER

8" 10" 12" 13" 14" 16"

FLANGE Yes No

If yes, enter distance from edge of of flange to pre-existing mounting hole.

C _____

Current Remote: SMART1+™ SMART2™ SMART3™

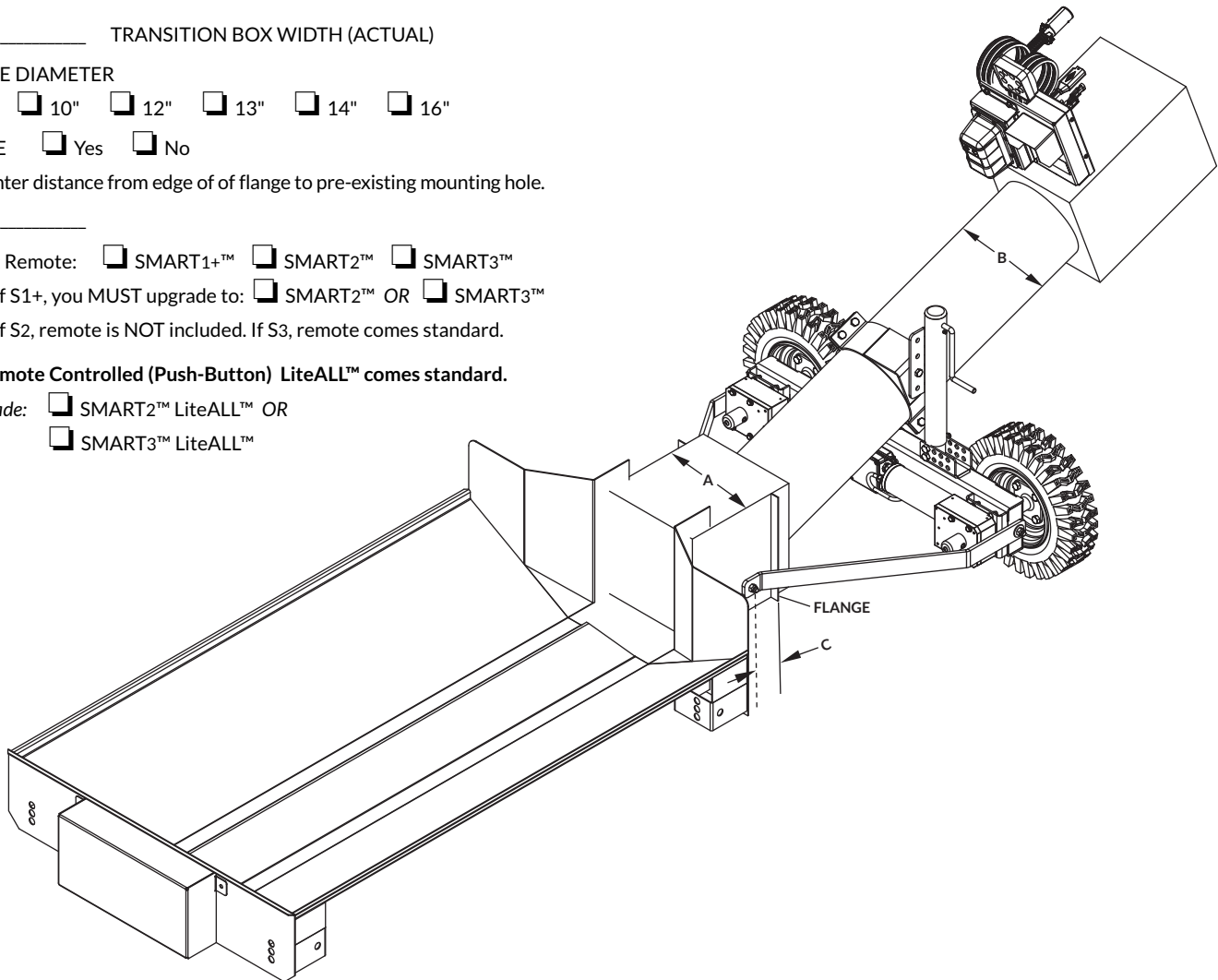
NOTE: If S1+, you MUST upgrade to: SMART2™ OR SMART3™

NOTE: If S2, remote is NOT included. If S3, remote comes standard.

Non-Remote Controlled (Push-Button) LiteALL™ comes standard.

To Upgrade: SMART2™ LiteALL™ OR

SMART3™ LiteALL™



Fax 605.665.0501

Salesperson _____