



SMARTDRIVE™

MOTOR



A040FL-0820

FEATURES AND BENEFITS

- SMARTwire™
- Hex-Through-Bore Design
- Encoder Wire Allows Single-Touch "Express Mode"
- SMART™ Remote (Optional)
- SMART3™ App (Android Only)
- 3-Year Motor Warranty
- 1-Year Electrical Component Warranty
- Flying Power Lead from Motor Head w/ Plug & Play SMARTwire™



The SMARTdrive™ motor was designed for use with our Cable-Lok™ and Shur-Lok® tarp systems in the fertilizer industry. The SMARTdrive™ utilizes Shur-Co's exclusive SMARTwire™, which features 100% sealed connections and eliminates crimped ends, ring terminals, premature motor failure, and wire corrosion. The hex-through-bore design allows the motor to float on the shaft, which reduces motor stress. The encoder wire provides improved motor protection single touch "express mode" and allows use of Shur-Co's 2-way connection with remotes. You can download the SMART3™ App on your Android smartphone for customization of device parameters and behavior. There is a 3-year warranty on the motor, and a 1-year warranty on electrical components.



800.474.8756

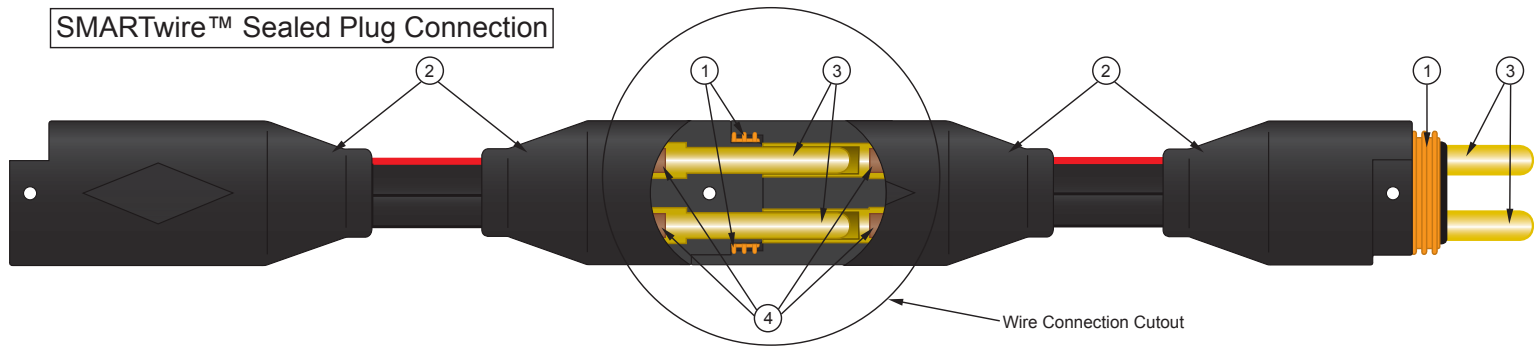
WWW.SHURCO.COM



SMARTWIRE™

CONNECTOR

SMART WIRE™
A SHUR-CO® EXCLUSIVE PRODUCT



1. SILICONE SEALS

SMARTwire™ plugs and sockets utilize automotive-grade silicone seals to prevent water intrusion. Capable of temporary immersion, these connectors can survive harsh environments including off-road applications and exposure to road salt and de-icing chemicals.

2. MOLDED PLUGS

Shur-Co® high-current plugs and sockets are over-molded directly onto the 4- or 6-gauge cable. This produces a water-proof seal at the back of the plug, preventing water intrusion along the cable.

3. BRASS PINS AND SOCKETS

The pins and sockets in our SMARTwire™ high-current connectors are CNC machined to close tolerances, guaranteeing a tight, low-resistance connection every time. These connectors have the same resistance as the 6-gauge cable, so you won't see additional voltage loss.

4. WIRES AND CABLES

Shur-Co® wire and cable materials were selected for high flexibility, chemical resistance and wide temperature range. We use high-strand count copper conductors in our 4- and 6-gauge cables, allowing easier routing and tight radius bends.

800.474.8756

WWW.SHURCO.COM