

BOX DETAIL SHEET FOR GRAIN CARTS AND GRAVITY WAGONS

ALL TARPS ARE CUSTOM-MADE TO ORDER AND ARE NON-RETURNABLE. CORRECT PHYSICAL MEASUREMENTS ARE ESSENTIAL FOR PROPER TARP FIT. PROVIDE ALL REQUESTED INFORMATION OR YOUR ORDER MAY BE DELAYED. DO NOT USE UNIVERSAL BOX SIZES. ALWAYS USE ACTUAL MEASUREMENTS. BOX SIZE AND FINISHED TARP SIZE ARE NOT THE SAME.

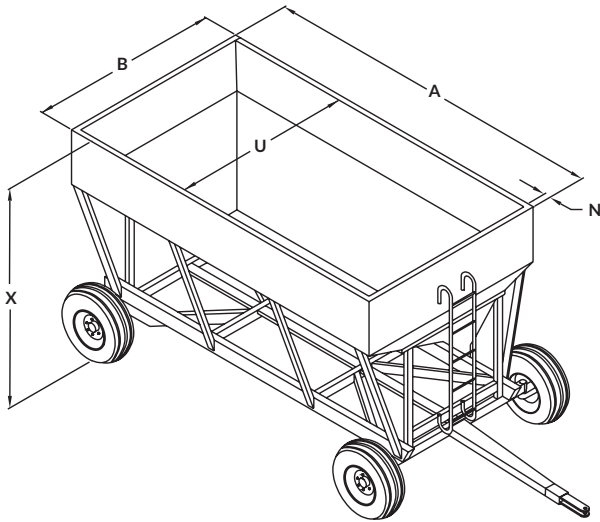
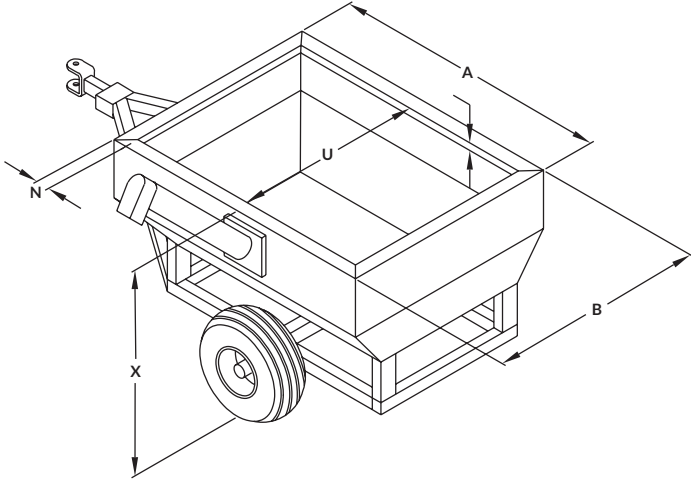


FIGURE 1

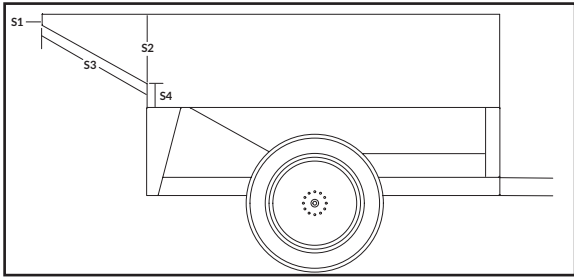
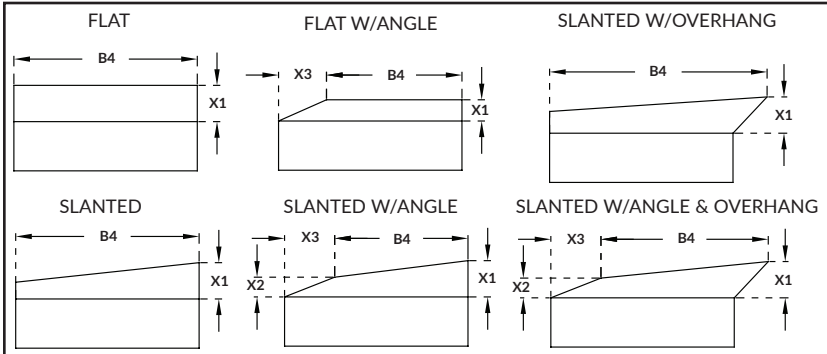


FIGURE 2



NOTE: Flat caps can ONLY be used on a SLANTED extension (see above), and the side walls MUST BE VERTICAL.

CONTACT INFORMATION

G001BD-1223

NAME _____
 ADDRESS _____
 EMAIL _____
 CITY _____ STATE _____ ZIP _____
 PHONE _____ FAX _____
 BOX/TRAILER MAKE _____
 MODEL _____ YEAR _____

BOX DIMENSIONS

A _____ UPPER OUTSIDE BOX LENGTH
 B _____ UPPER OUTSIDE BOX WIDTH
 Front _____ Center _____ Rear _____
 N _____ TOP RAIL WIDTH
 U _____ INSIDE BOX WIDTH
 X _____ UPPER OUTSIDE BOX HEIGHT
 LIP IN _____ LIP OUT _____

REAR CONFIGURATION *Must answer this to determine rear crank retainer brackets and rear bracket on 4500 Electric.*

VERTICAL _____ SLOPED _____

REAR SLOPE DIMENSIONS *See Figure 1*

S1 _____ REAR UPPER VERTICAL
 S2 _____ SLOPE HEIGHT
 S3 _____ SLOPE LENGTH
 S4 _____ REAR CROSSBEAM HEIGHT

BOX EXTENSION STYLE *See Figures 2 and 3*

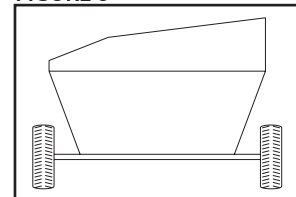
FLAT _____ SLANTED _____ FLAT W/ANGLE _____
 SLANTED W/ANGLE _____ SLANTED W/OVERHANG _____
 SLANTED W/OVERHANG AND ANGLE _____ NO EXTENSION _____

BOX EXTENSION DIMENSIONS

B4 _____ EXTENSION WIDTH
 X1 _____ EXTENSION HEIGHT DRIVER SIDE
 X2 _____ EXTENSION HEIGHT PASSENGER SIDE
 X3 _____ LOWER EXTENSION ANGLE

TARP COLOR(S) _____

FIGURE 3



NOTE: If ordering galvanized caps, make sure box is flat across top. Figure 2 shows a box with an uneven angle across the top. Galvanized caps will NOT fit this box; you must order fabric caps instead.

Fax 605.665.0501

Salesperson _____