

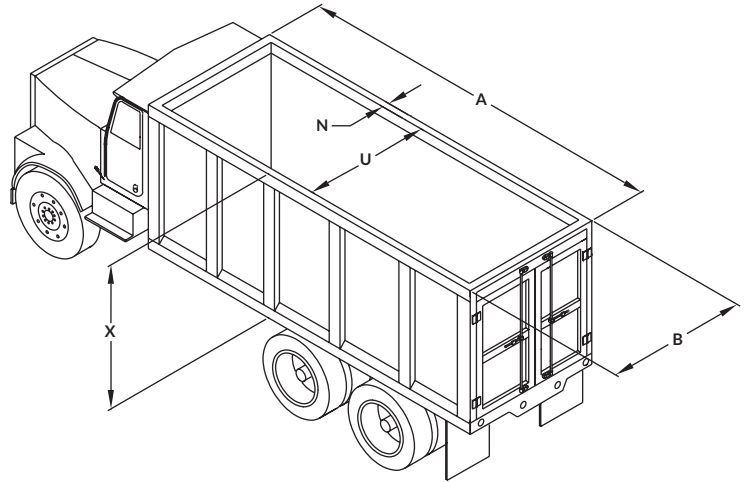
# BOX DETAIL SHEET FOR FARM BODIES AND TENDERS

ALL TARPS ARE CUSTOM-MADE TO ORDER AND ARE NON-RETURNABLE. CORRECT PHYSICAL MEASUREMENTS ARE ESSENTIAL FOR PROPER TARP FIT. PROVIDE ALL REQUESTED INFORMATION OR YOUR ORDER MAY BE DELAYED. **DO NOT** USE UNIVERSAL BOX SIZES. **ALWAYS** USE ACTUAL MEASUREMENTS. BOX SIZE AND FINISHED TARP SIZE ARE **NOT** THE SAME.

## CONTACT INFORMATION

G002BD-1223

NAME \_\_\_\_\_  
 ADDRESS \_\_\_\_\_  
 EMAIL \_\_\_\_\_  
 CITY \_\_\_\_\_ STATE \_\_\_\_\_ ZIP \_\_\_\_\_  
 PHONE \_\_\_\_\_ FAX \_\_\_\_\_  
 BOX/TRAILER MAKE \_\_\_\_\_  
 MODEL \_\_\_\_\_ YEAR \_\_\_\_\_



## BOX STYLE

FARM BODY      TENDER BODY

## BOX DIMENSIONS

A \_\_\_\_\_ UPPER BOX LENGTH  
 B \_\_\_\_\_ UPPER BOX WIDTH  
     Front \_\_\_\_\_ Center \_\_\_\_\_ Rear \_\_\_\_\_  
 N \_\_\_\_\_ TOP RAIL WIDTH  
 U \_\_\_\_\_ INSIDE BOX WIDTH  
 X \_\_\_\_\_ OUTSIDE BOX HEIGHT FROM GROUND

CORNER CONFIGURATION See Figure 1

SQUARE      DIAGONAL      RADIUS

C \_\_\_\_\_ OUTSIDE CORNER RADIUS *For all radius fronts*  
 E \_\_\_\_\_ FLAT ACROSS FRONT  
 V \_\_\_\_\_ FLAT ACROSS DIAGONAL  
 W \_\_\_\_\_ DIAGONAL DEPTH

### IF TENDER:

MOUNTING STYLE:      TENDER TRUCK      TENDER TRAILER

SPREADER STYLE:      REAR      SIDE-FOLD REAR  
    REAR OVER BOX

### TARP WEIGHT\*

18 OZ.      22 OZ.

TARP COLOR(S) \_\_\_\_\_

FIGURE 1

