

# BOX DETAIL SHEET FOR CABLE-LOK™ FOR GRAIN CARTS

ALL TARPS ARE CUSTOM-MADE TO ORDER AND ARE NON-RETURNABLE. CORRECT PHYSICAL MEASUREMENTS ARE ESSENTIAL FOR PROPER TARP FIT. PROVIDE ALL REQUESTED INFORMATION OR YOUR ORDER MAY BE DELAYED. DO NOT USE UNIVERSAL BOX SIZES. ALWAYS USE ACTUAL MEASUREMENTS. BOX SIZE AND FINISHED TARP SIZE ARE NOT THE SAME.

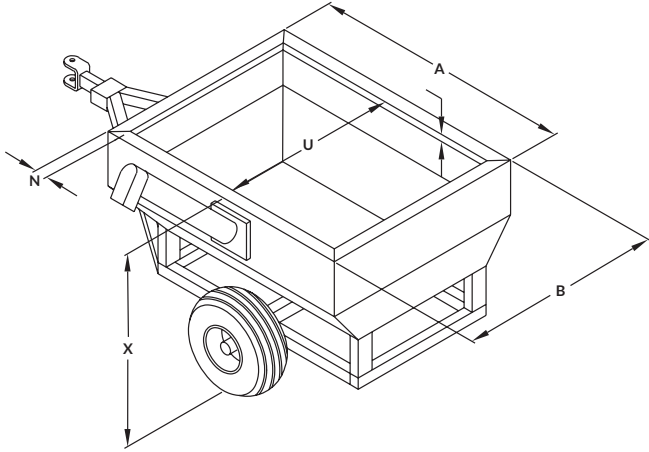


FIGURE 1

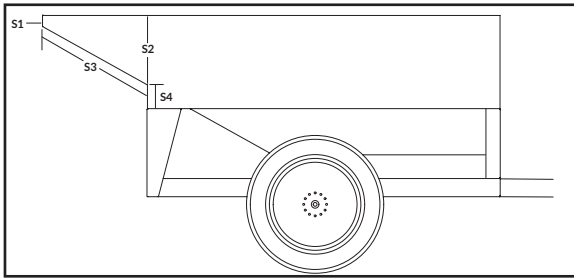


FIGURE 2

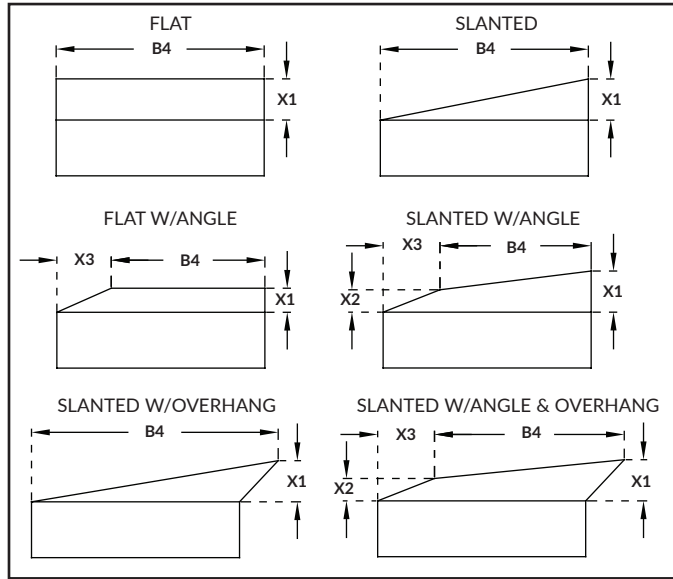
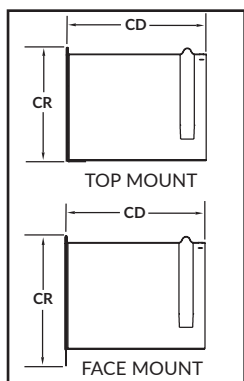
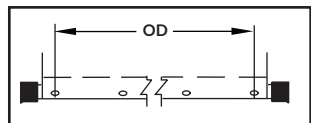


FIGURE 3

FIGURE 4



## CONTACT INFORMATION

G005BD-1223

NAME \_\_\_\_\_  
 ADDRESS \_\_\_\_\_  
 EMAIL \_\_\_\_\_  
 CITY \_\_\_\_\_ STATE \_\_\_\_\_ ZIP \_\_\_\_\_  
 PHONE \_\_\_\_\_ FAX \_\_\_\_\_  
 BOX/TRAILER MAKE \_\_\_\_\_  
 MODEL \_\_\_\_\_ YEAR \_\_\_\_\_

## BOX DIMENSIONS

A \_\_\_\_\_ UPPER OUTSIDE BOX LENGTH  
 B \_\_\_\_\_ UPPER OUTSIDE BOX WIDTH  
 Front \_\_\_\_\_ Center \_\_\_\_\_ Rear \_\_\_\_\_  
 N \_\_\_\_\_ TOP RAIL WIDTH  
 U \_\_\_\_\_ INSIDE BOX WIDTH  
 X \_\_\_\_\_ OUTSIDE BOX HEIGHT FROM GROUND  
 LIP IN      LIP OUT

REAR CONFIGURATION *Must answer this to determine rear crank retainer brackets.*

VERTICAL      SLOPED

REAR SLOPE DIMENSIONS *See Figure 1*

S1 \_\_\_\_\_ REAR UPPER VERTICAL  
 S2 \_\_\_\_\_ SLOPE HEIGHT  
 S3 \_\_\_\_\_ SLOPE LENGTH  
 S4 \_\_\_\_\_ REAR CROSSBEAM HEIGHT

BOX EXTENSION STYLE *See Figure 2*

FLAT      SLANTED      FLAT W/ANGLE      SLANTED W/ANGLE  
 SLANTED W/OVERHANG      SLANTED W/OVERHANG AND ANGLE  
 NO EXTENSION

BOX EXTENSION DIMENSIONS

B4 \_\_\_\_\_ EXTENSION WIDTH  
 X1 \_\_\_\_\_ EXTENSION HEIGHT DRIVER'S SIDE  
 X2 \_\_\_\_\_ EXTENSION HEIGHT PASSENGER SIDE  
 X3 \_\_\_\_\_ LOWER EXTENSION ANGLE

TARP COLOR(S) \_\_\_\_\_

## REPLACEMENT TARPS

TYPE OF TARP BEING REPLACED *See Figure 3 for outer hole distance*

CABLE-LOK™ W/CHANNEL  
 OTHER W/CHANNEL      OTHER BRAND \_\_\_\_\_  
 OTHER W/RIVETS No. Rivets \_\_\_\_\_ Outer Hole Distance \_\_\_\_\_

\_\_\_\_\_ FINISHED SEWN TARP LENGTH  
 \_\_\_\_\_ FINISHED SEWN TARP WIDTH

TYPE OF CAP MEASURED *See Figure 4*

FACE MOUNT      TOP MOUNT

CR \_\_\_\_\_ END CAP RISE  
 CD \_\_\_\_\_ END CAP DEPTH Front \_\_\_\_\_ Rear \_\_\_\_\_  
 \_\_\_\_\_ OUTSIDE END CAP TO END CAP LENGTH  
 \_\_\_\_\_ BOX WIDTH      \_\_\_\_\_ BOX LENGTH

Fax 605.665.0501

Salesperson \_\_\_\_\_