

BOX DETAIL SHEET FOR CABLE-LOK™ FOR SPREADERS

ALL TARPS ARE CUSTOM-MADE TO ORDER AND ARE NON-RETURNABLE. CORRECT PHYSICAL MEASUREMENTS ARE ESSENTIAL FOR PROPER TARP FIT. PROVIDE ALL REQUESTED INFORMATION OR YOUR ORDER MAY BE DELAYED. **DO NOT** USE UNIVERSAL BOX SIZES. **ALWAYS** USE ACTUAL MEASUREMENTS. BOX SIZE AND FINISHED TARP SIZE ARE **NOT** THE SAME.

CONTACT INFORMATION

NAME _____ G007BD-1223
 ADDRESS _____
 EMAIL _____
 CITY _____ STATE _____ ZIP _____
 PHONE _____ FAX _____
 BOX/TRAILER MAKE _____
 MODEL _____ YEAR _____

BOX DIMENSIONS

A _____ OUTER BOX LENGTH (END PANEL TO END PANEL)
 B _____ OUTER BOX WIDTH
 N _____ TOP RAIL WIDTH
 U _____ INSIDE BOX WIDTH
 X _____ BOX HEIGHT FROM GROUND

SPINNER TYPE

G4 G5 (No manual option for G5 spinners)

JOHN DEERE MODELS ONLY

TARP COLOR: BLACK YELLOW GREEN
 MODE OF OPERATION: MAUNAL SMARTDRIVE™
 SMARTDRIVE™ EXPRESS COMMANDCENTER™

OTHER MODELS

TARP COLOR(S): _____
 MODE OF OPERATION: MAUNAL DURABUILT™ ROCKER
 DURABUILT™ EZR™* SMARTDRIVE™ EZR™ EXPRESS*
 SMARTDRIVE™ ROCKER EXPRESS * Remote Included

REMOTE UPGRADE - ALL ELECTRIC KITS CAN BE OPERATED W/REMOTE

SHURLINK™ EZR SHURLINK™ PRO

REPLACEMENT TARPS

TYPE OF TARP BEING REPLACED *See Figure 1 for outer hole distance*

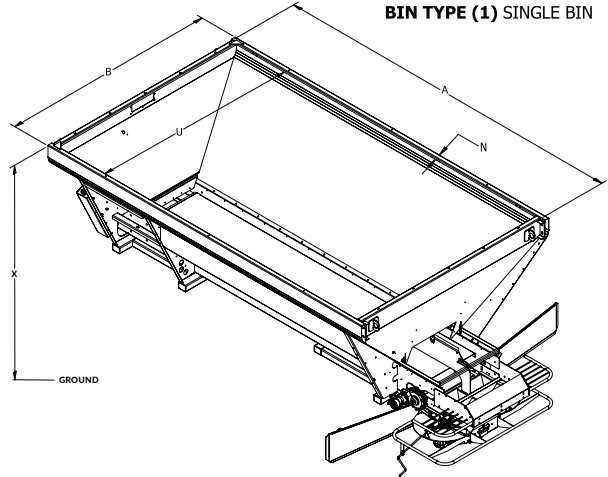
CABLE-LOK™ W/CHANNEL
 OTHER W/CHANNEL OTHER BRAND _____
 OTHER W/RIVETS No. Rivets _____ Outer Hole Distance _____

_____ FINISHED SEWN TARP LENGTH
 _____ FINISHED SEWN TARP WIDTH

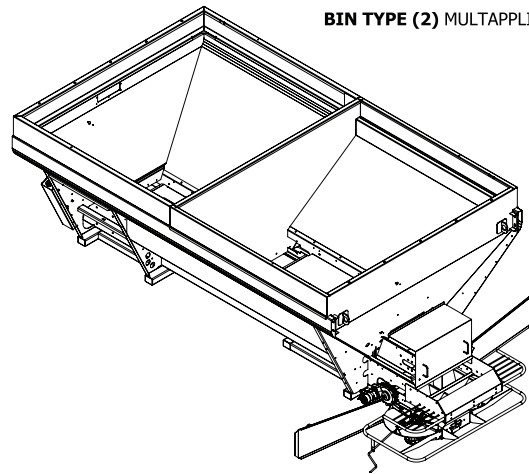
TYPE OF CAP MEASURED *See Figure 2*

STAINLESS FACE MOUNT STAINLESS TOP MOUNT
 GALVANIZED FACE MOUNT GALVANIZED TOP MOUNT

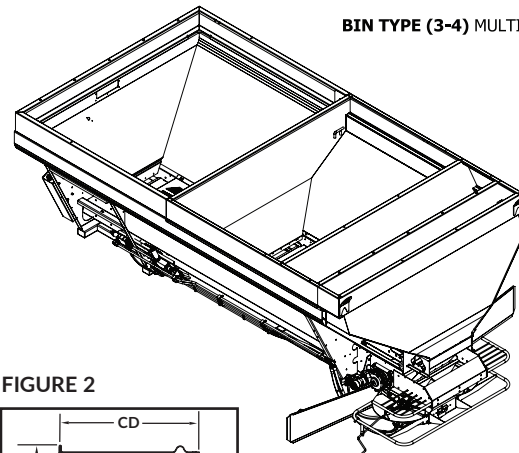
CR _____ END CAP RISE
 CD _____ END CAP DEPTH Front _____ Rear _____
 _____ OUTSIDE END CAP TO END CAP LENGTH
 _____ BOX WIDTH
 _____ BOX LENGTH



BIN TYPE (1) SINGLE BIN



BIN TYPE (2) MULTAPPLIER™



BIN TYPE (3-4) MULTIBIN™

FIGURE 2

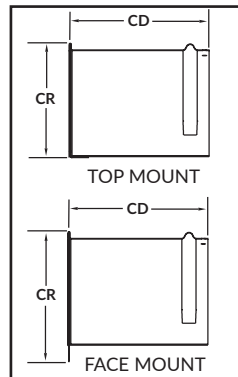
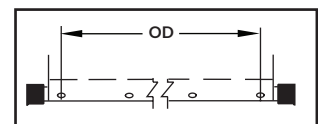


FIGURE 1



Fax 605.665.0501

Salesperson _____