

# BOX DETAIL SHEET FOR BELLY DUMPS AND OPEN-TOP VANS

ALL TARPS ARE CUSTOM-MADE TO ORDER AND ARE NON-RETURNABLE. CORRECT PHYSICAL MEASUREMENTS ARE ESSENTIAL FOR PROPER TARP FIT. PROVIDE ALL REQUESTED INFORMATION OR YOUR ORDER MAY BE DELAYED. **DO NOT** USE UNIVERSAL BOX SIZES. **ALWAYS** USE ACTUAL MEASUREMENTS. BOX SIZE AND FINISHED TARP SIZE ARE **NOT** THE SAME.

## CONTACT INFORMATION

G009BD-0519

NAME \_\_\_\_\_  
 ADDRESS \_\_\_\_\_  
 EMAIL \_\_\_\_\_  
 CITY \_\_\_\_\_ STATE \_\_\_\_\_ ZIP \_\_\_\_\_  
 PHONE \_\_\_\_\_ FAX \_\_\_\_\_  
 BOX/TRAILER MAKE \_\_\_\_\_

## BOX DIMENSIONS FOR BELLY DUMPS

A \_\_\_\_\_ UPPER BOX LENGTH  
 B \_\_\_\_\_ UPPER BOX WIDTH  
 Front \_\_\_\_\_ Center \_\_\_\_\_ Rear \_\_\_\_\_  
 N \_\_\_\_\_ TOP RAIL WIDTH  
 U \_\_\_\_\_ INSIDE BOX WIDTH  
 U1 \_\_\_\_\_ INSIDE PLANK-TO-PLANK WIDTH  
 X \_\_\_\_\_ BOX HEIGHT

NOTE: If belly dump is rounded, Shur-Lok® will NOT fit. Same goes for a box tapered at bottom for brackets for arms. In either case, **MUST** switch to Shur-Matic™ system instead. For questions, call 800.474.8756.

TARP RAIL STYLE See Figure 1

SQUARE SELF CLEANING SQUARE W/PLANKS\*

\*Are planks flush with outside of top rail? Y / N (Circle one)

LANDING EXTENSION LENGTH See Figure 2 - for Shur-Trak™ only

AJ \_\_\_\_\_

TARP COLOR(S) \_\_\_\_\_

## BOX DIMENSIONS FOR OPEN-TOP VANS

A \_\_\_\_\_ UPPER BOX LENGTH  
 B \_\_\_\_\_ UPPER BOX WIDTH  
 Front \_\_\_\_\_ Center \_\_\_\_\_ Rear \_\_\_\_\_  
 N \_\_\_\_\_ TOP RAIL WIDTH  
 U \_\_\_\_\_ INSIDE BOX WIDTH  
 X \_\_\_\_\_ BOX HEIGHT

CORNER CONFIGURATION See Figure 3

SQUARE DIAGONAL RADIUS

C \_\_\_\_\_ OUTSIDE CORNER RADIUS For all radius fronts

E \_\_\_\_\_ FLAT ACROSS FRONT

V \_\_\_\_\_ FLAT ACROSS DIAGONAL

W \_\_\_\_\_ DIAGONAL DEPTH

TARP WEIGHT

18 OZ. 22 OZ. MESH

TARP COLOR(S) \_\_\_\_\_

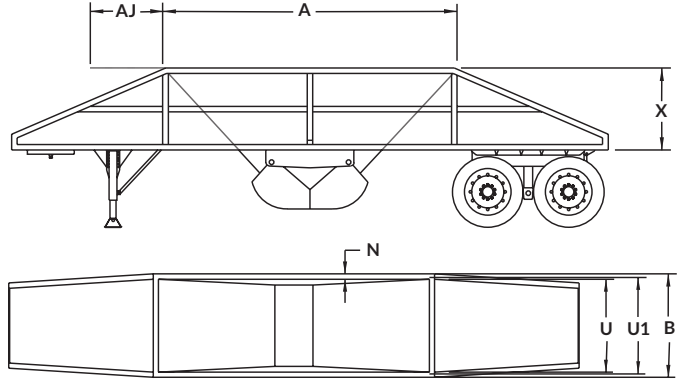


FIGURE 1

FIGURE 2

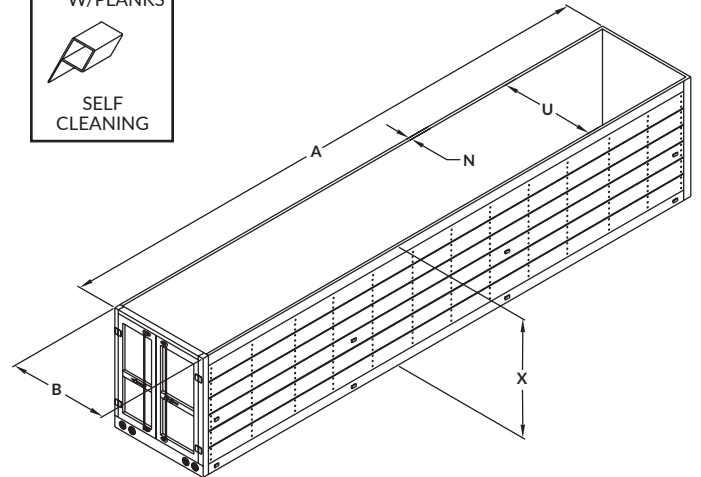
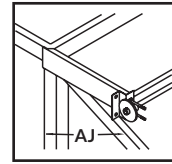
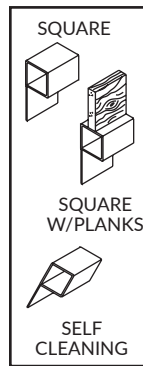


FIGURE 3

