

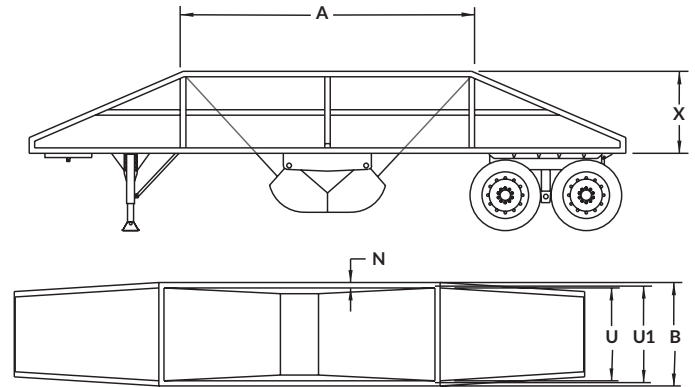
# BOX DETAIL SHEET FOR CABLE-LOK™ FOR BELLY DUMPS

ALL TARPS ARE CUSTOM-MADE TO ORDER AND ARE NON-RETURNABLE. CORRECT PHYSICAL MEASUREMENTS ARE ESSENTIAL FOR PROPER TARP FIT. PROVIDE ALL REQUESTED INFORMATION OR YOUR ORDER MAY BE DELAYED. **DO NOT** USE UNIVERSAL BOX SIZES. **ALWAYS** USE ACTUAL MEASUREMENTS. BOX SIZE AND FINISHED TARP SIZE ARE **NOT** THE SAME.

## CONTACT INFORMATION

G011BD-0519

NAME \_\_\_\_\_  
 ADDRESS \_\_\_\_\_  
 EMAIL \_\_\_\_\_  
 CITY \_\_\_\_\_ STATE \_\_\_\_\_ ZIP \_\_\_\_\_  
 PHONE \_\_\_\_\_ FAX \_\_\_\_\_  
 BOX/TRAILER MAKE \_\_\_\_\_



## BOX DIMENSIONS FOR BELLY DUMPS

A \_\_\_\_\_ UPPER BOX LENGTH  
 B \_\_\_\_\_ UPPER BOX WIDTH  
 Front \_\_\_\_\_ Center \_\_\_\_\_ Rear \_\_\_\_\_  
 N \_\_\_\_\_ TOP RAIL WIDTH  
 U \_\_\_\_\_ INSIDE BOX WIDTH  
 U1 \_\_\_\_\_ INSIDE PLANK-TO-PLANK WIDTH  
 X \_\_\_\_\_ BOX HEIGHT

NOTE: If belly dump is rounded, Cable-Lok™ will NOT fit. Same goes for a box tapered at bottom for brackets for arms. In either case, MUST switch to Shur-Matic™ system instead. For questions, call 800.474.8756.

TARP RAIL STYLE See Figure 1

SQUARE      SELF CLEANING      SQUARE W/  
 PLANKS\*

\*Are planks flush with outside of top rail? Y / N (Circle one)

TARP COLOR(S) \_\_\_\_\_

## REPLACEMENT TARPS

TYPE OF TARP BEING REPLACED See Figure 2 for outer hole distance

CABLE-LOK™ W/CHANNEL  
 OTHER W/CHANNEL      OTHER BRAND \_\_\_\_\_  
 OTHER W/RIVETS No. Rivets \_\_\_\_\_ Outer Hole Distance \_\_\_\_\_

FINISHED SEWN TARP LENGTH \_\_\_\_\_  
 FINISHED SEWN TARP WIDTH \_\_\_\_\_

TYPE OF CAP MEASURED See Figure 3

FACE MOUNT      TOP MOUNT  
 CR \_\_\_\_\_ END CAP RISE  
 CD \_\_\_\_\_ END CAP DEPTH Front \_\_\_\_\_ Rear \_\_\_\_\_

OUTSIDE END CAP TO END CAP LENGTH \_\_\_\_\_  
 BOX WIDTH \_\_\_\_\_  
 BOX LENGTH \_\_\_\_\_

FIGURE 1

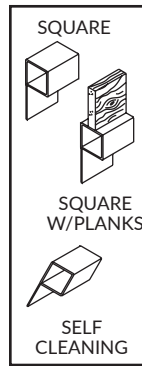


FIGURE 2

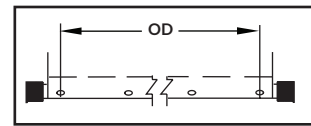


FIGURE 3

