

BOX DETAIL SHEET FOR ELECTRIC GATE AND HOIST

CORRECT PHYSICAL MEASUREMENTS ARE ESSENTIAL FOR PROPER TARP FIT. PROVIDE ALL REQUESTED INFORMATION OR YOUR ORDER MAY BE DELAYED. **DO NOT USE** UNIVERSAL BOX SIZES. **ALWAYS USE ACTUAL MEASUREMENTS.** BOX SIZE AND FINISHED TARP SIZE ARE **NOT** THE SAME.

CONTACT INFORMATION

G014BD-1018

NAME _____
 ADDRESS _____
 EMAIL _____
 CITY _____ STATE _____ ZIP _____
 PHONE _____ FAX _____
 BOX/TRAILER MAKE _____

CURRENT TARPING SYSTEM

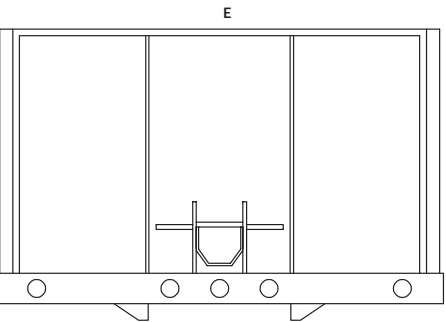
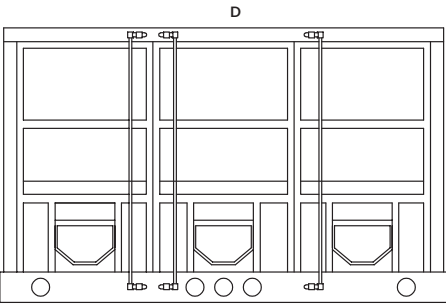
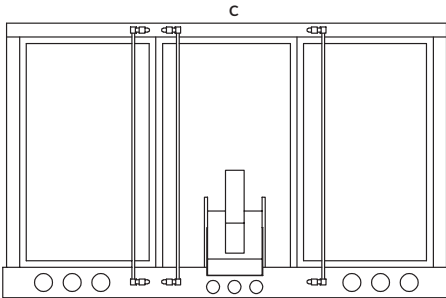
None Manual Electric*

*IF ELECTRIC TARPING SYSTEM, WHICH KIND:

Rocker SMART₂[™] SHURLINK EZR[™] SHURLINK PRO[™]

Adding electric tarping system at same time as ordering the Gate and Hoist kit. Please enter P/N of tarping system here:

ONLY ONE (1) ACTUATOR PER KIT



BOX DIMENSIONS

BOX MAKE _____

YEAR _____

A _____ Upper Box Length
 B _____ Upper Box Width
 N _____ Top Rail Width
 U _____ Inside Box Width
 X _____ Outside Box Height from Ground

REMOTE TYPE

SHURLINK EZR[™] SHURLINK PRO[™]

HOIST TYPE

Air-Over Hydraulic

Yes No - *Electric Gate & Hoist N/A*

Style _____

BOX STYLE *See illustrations at right and below*

Type C Type D Type E

Other _____

GATE STYLE

Flat Ribbed

MANUALLY CONTROLLED AIR SWITCH

Yes No

