

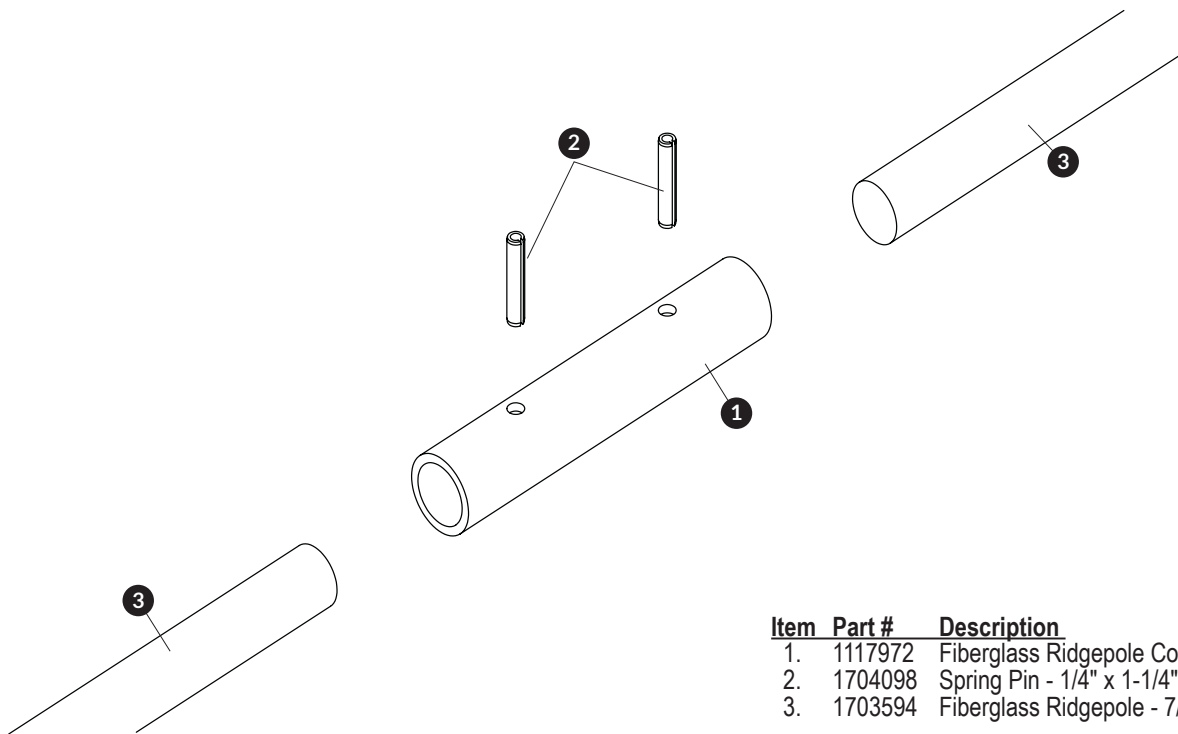
ORDER  
TERMS AND CONDITIONS



WARRANTY



PATENTS



Item	Part #	Description
1.	1117972	Fiberglass Ridgepole Connector
2.	1704098	Spring Pin - 1/4" x 1-1/4"
3.	1703594	Fiberglass Ridgepole - 7/8" x 20'

**STEP 1:** Insert first fiberglass ridgepole section halfway into ridgepole connector. Use hole in connector as guide to drill 1/4" hole through ridgepole section.

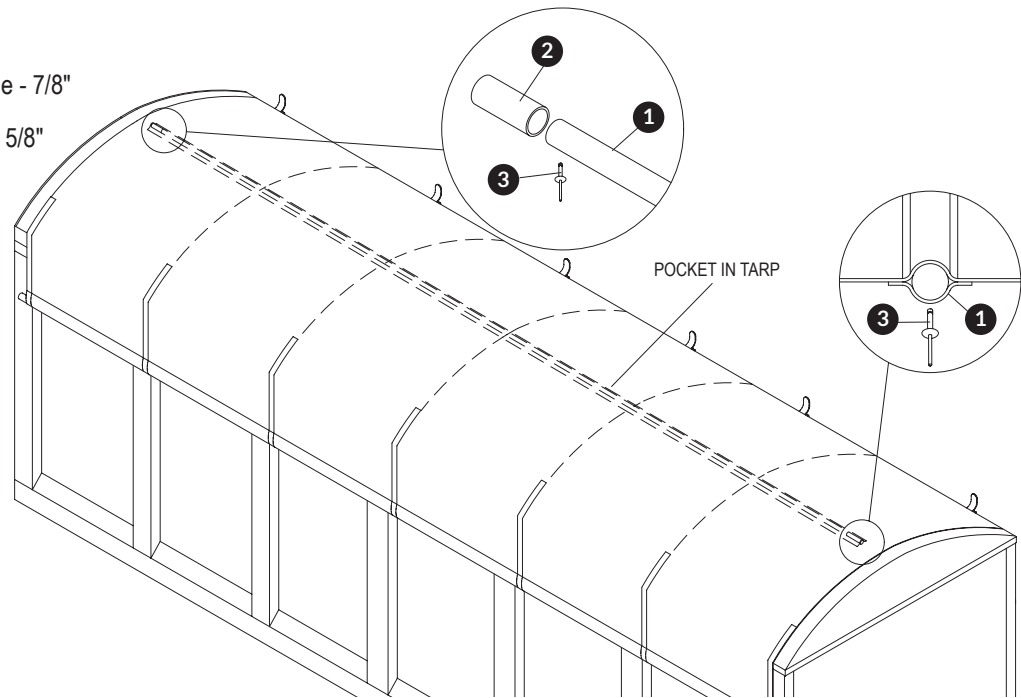
**STEP 2:** Install spring pin through hole to secure ridgepole section to connector.

**STEP 3:** Insert second fiberglass ridgepole section into opposite end of connector, butting end of second ridgepole against first ridgepole. Use hole in connector as guide to drill 1/4" hole through ridgepole section.

**STEP 4:** Install spring pin through second hole to secure ridgepole section to connector.

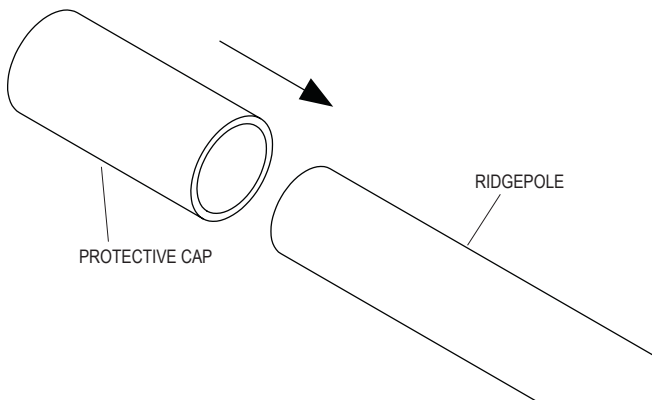


Item	Part #	Description
1.		Fiberglass Ridgepole - 7/8"
2.	1706497	Protective Cap
3.	1705224	Blind Rivet - 3/16" x 5/8"



**STEP 1:** Cut ridgepole tube 10" shorter than tarp length. Grind rough edges smooth. Wrap ridgepole with tape for smoother cut.

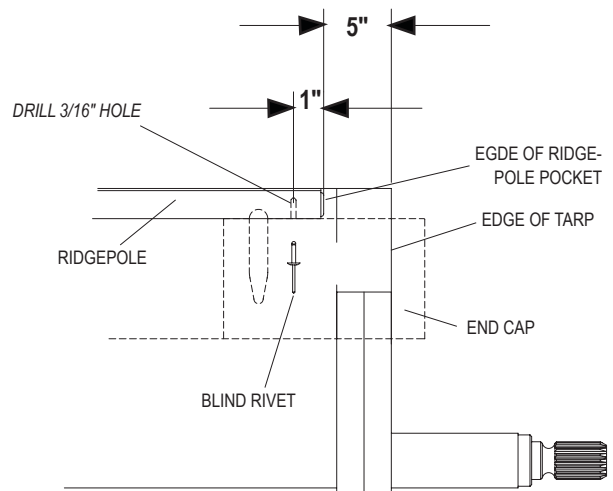
**STEP 2:** Install protective cap over ends of ridgepole.



**STEP 3:** Insert ridgepole into ridgepole tarp pocket. Center pole in tarp pocket and verify that ridgepole is 5" shorter than tarp on each end. Drill 3/16" hole through ridgepole pocket and fiberglass rod as shown.

**⚠ CAUTION**

**Do not puncture tarp. Install rivet through bottom of tarp pocket and into ridgepole. Place barrier between ridgepole and tarp to prevent puncturing tarp.**



**STEP 4:** Install rivet 1" from edge of pocket. Pull tarp to full length and install second rivet 1" from opposite end of pole.