



OUR CUSTOMERS ASKED FOR IT – AND WE DELIVERED
Cable-Lok™ Spool Tarp for Grain Carts



Smooth and Easy Tarp Operation

A007BD-0711

Cable-Lok™ is the smoothest move in tarping – from open to closed, simply and easily. Spring-loaded tension with cable attachment keeps your tarp tight, even in moderate wind conditions. It covers boxes up to 24 feet long and 12 feet wide.

Durable nylon spools and a galvanized steel cable offer a unique blend of strength and endurance, to keep the system operating smoothly year after year. Ratchets let you adjust tarp tension at install; upgrade to the 42" cable for added convenience.

A non-collapsible, reinforced flexible hose assembly moves the tarp spool freely and easily across the end caps. The crank arm can be positioned at the side or the rear of the box for the lowest possible profile. An upgrade to our pinless crank retainer will eliminate those pin-and-cable hassles.

Key Features: No-Weld Install, Galvanized Bows, Galvanized End Caps, Easy-Off Tarp Stops, Standard Crank Arm with Reinforced Flexible Hose Assembly, J-Hook Retainer with 7" Stand-off, 1" Ridge Strap, Aluminum Roll Tube with Channeled Tarp Attachment, Galvanized Fixed Tube, Spool with Galvanized Cables and Ratchets, Adjustable Tension, 18-Oz. Vinyl Tarp.

For more information, contact:

SHUR-CO® OF SD | 800.474.8756
2309 Shur-Lok St., Yankton

SHUR-CO® OF ND | 877.868.4488
920 38th St. NW, Exit 66, Fargo

SHUR-CO® OF IA | 866.356.0245
3839 Midway Blvd., Ft. Dodge

SHUR-CO® OF IL | 866.356.0246
4350 E. Boyd Rd., Decatur

SHUR-CO® OF OH | 866.356.0242
1100 N. Freedom, State Rt. 88 & 14, Ravenna

SHUR-CO® OF CO | 866.355.9173
10220 Brighton Rd., Unit #1, Henderson

SHUR-CO® OF TX | 866.689.0039
34505 I-10 West, S. Frontage Rd., Brookshire

SHUR-CO® OF OK | 866.356.0243
1604 East, U.S. Hwy 66, El Reno



www.shurco.com

Box Details

PROVIDE ALL REQUESTED INFORMATION OR YOUR ORDER MAY BE DELAYED. **DO NOT** USE UNIVERSAL BOX SIZES. **ALWAYS** USE ACTUAL MEASUREMENTS.

CONTACT INFORMATION

NAME _____
 ADDRESS _____
 CITY _____ STATE _____ ZIP _____
 PHONE _____ FAX _____
 BOX/TRAILER MAKE _____
 MODEL _____ YEAR _____

BOX DIMENSIONS

A _____ UPPER OUTSIDE BOX LENGTH
 B _____ UPPER OUTSIDE BOX WIDTH
 Front _____ Center _____ Rear _____
 N _____ TOP RAIL WIDTH
 U _____ INSIDE BOX WIDTH
 X _____ OUTSIDE BOX HEIGHT FROM GROUND
 LIP IN LIP OUT

FRONT CONFIGURATION VERTICAL SLOPED

BOX EXTENSION STYLE | See Figure 1

FLAT SLANTED FLAT W/ANGLE
 SLANTED W/ANGLE SLANTED W/OVERHANG
 SLANTED W/OVERHANG AND ANGLE

BOX EXTENSION DIMENSIONS

B4 _____ EXTENSION WIDTH
 X1 _____ EXTENSION HEIGHT DRIVER SIDE
 X2 _____ EXTENSION HEIGHT PASSENGER SIDE
 X3 _____ LOWER EXTENSION ANGLE

TARP COLOR(S) _____

REPLACEMENT TARPS

TYPE OF TARP BEING REPLACED | See Figure 2 for Outer Hole Distance

CABLE-LOK™ W/CHANNEL
 OTHER W/CHANNEL OTHER BRAND _____
 OTHER W/RIVETS No. Rivets _____ Outer Hole Distance _____

_____ FINISHED SEWN TARP LENGTH

_____ FINISHED SEWN TARP WIDTH

TYPE OF CAP MEASURED | See Figure 3

FACE MOUNT TOP MOUNT

CR _____ END CAP RISE

CD _____ END CAP DEPTH Front _____ Rear _____

_____ OUTSIDE END CAP TO END CAP LENGTH

_____ BOX WIDTH _____ BOX LENGTH

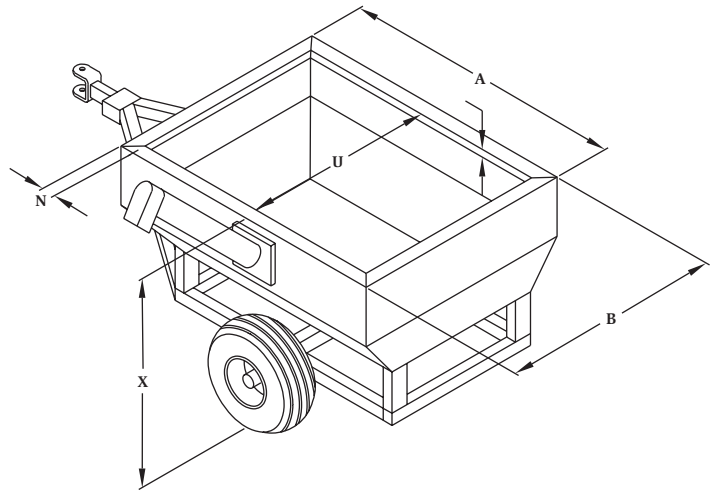


FIGURE 1

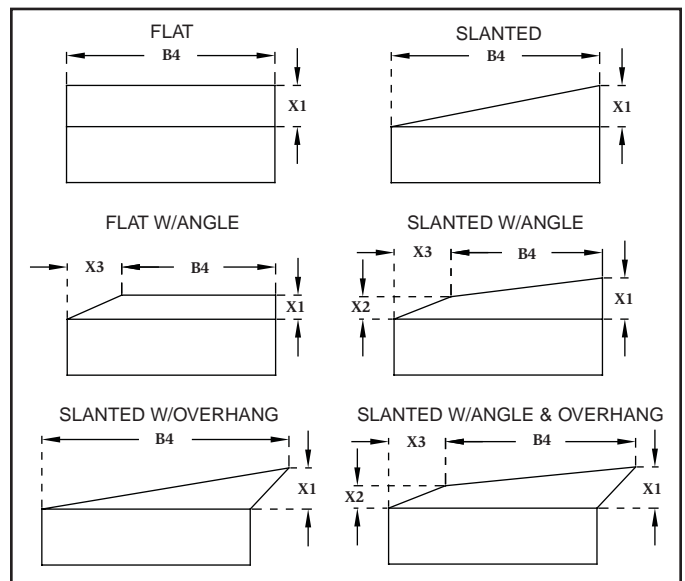


FIGURE 2

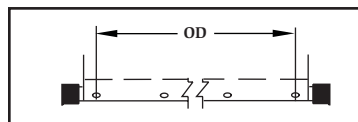


FIGURE 3

