



OUR CUSTOMERS ASKED FOR IT – AND WE DELIVERED
Cable-Lok™ Spool Tarp for Farm Bodies



Made to Fit Most Makes and Models

A008BD-0111

Quick-roll your tarp standing in one spot – no need to shift around for a better angle. Cable-Lok™ keeps the tarp moving smoothly from fully open to completely closed.

Spring-loaded tension with cable attachment keeps your tarp tight on most makes and models. It covers boxes up to 24 feet long and 12 feet wide.

An extruded tarp attachment slot runs the full length of the aluminum roll tube. Once the tarp is inserted, a safety rod anchors it in place, making for easy tarp removal down the road. Tension is distributed evenly along the fabric – no binding, overlap or friction.

Our easy-off tarp stops let you remove the tarp with minimal tools, in the shortest amount of time. An upgrade to 6" easy-off stops will store the tarp off to the side of the top rail.

Key Features: No-Weld Install, Galvanized Bows, Galvanized End Caps, Easy-Off Tarp Stops, Standard Crank Arm with Reinforced Flexible Hose Assembly, J-Hook Retainer with 7" Stand-off, 1" Ridge Strap, Aluminum Roll Tube with Channeled Tarp Attachment, Galvanized Fixed Tube, Spool with Galvanized Cables and Ratchets, Adjustable Tension, 18-Oz. Vinyl Tarp.

For more information, contact:

SHUR-CO® OF SD | 800.474.8756
2309 Shur-Lok St., Yankton

SHUR-CO® OF ND | 877.868.4488
920 38th St. NW, Exit 66, Fargo

SHUR-CO® OF IA | 866.356.0245
3839 Midway Blvd., Ft. Dodge

SHUR-CO® OF IL | 866.356.0246
4350 E. Boyd Rd., Decatur

SHUR-CO® OF OH | 866.356.0242
1100 N. Freedom, State Rt. 88 & 14, Ravenna

SHUR-CO® OF CO | 866.355.9173
10220 Brighton Rd., Unit #1, Henderson

SHUR-CO® OF TX | 866.689.0039
34505 I-10 West, S. Frontage Rd., Brookshire

SHUR-CO® OF OK | 866.356.0243
1604 East, U.S. Hwy 66, El Reno



www.shurco.com

Box Details

PROVIDE ALL REQUESTED INFORMATION OR YOUR ORDER MAY BE DELAYED.
DO NOT USE UNIVERSAL BOX SIZES. **ALWAYS** USE ACTUAL MEASUREMENTS.

CONTACT INFORMATION

NAME _____
 ADDRESS _____
 CITY _____ STATE _____ ZIP _____
 PHONE _____ FAX _____
 BOX/TRAILER MAKE _____
 MODEL _____ YEAR _____

BOX DIMENSIONS

A _____ UPPER BOX LENGTH
 B _____ UPPER BOX WIDTH
 N _____ TOP RAIL WIDTH
 U _____ INSIDE BOX WIDTH
 X _____ OUTSIDE BOX HEIGHT FROM GROUND

LIP IN LIP OUT

TARP COLOR(S) _____

REPLACEMENT TARPS

TYPE OF TARP BEING REPLACED | See Figure 1 for Outer Hole Distance

CABLE-LOK™ W/CHANNEL
 OTHER W/CHANNEL OTHER BRAND _____
 OTHER W/RIVETS No. Rivets _____ Outer Hole Distance _____

_____ FINISHED SEWN TARP LENGTH

_____ FINISHED SEWN TARP WIDTH

TYPE OF CAP MEASURED | See Figure 2

STAINLESS FACE MOUNT STAINLESS TOP MOUNT
 GALVANIZED FACE MOUNT GALVANIZED TOP MOUNT

CR _____ END CAP RISE

CD _____ END CAP DEPTH Front _____ Rear _____

_____ OUTSIDE END CAP TO END CAP LENGTH

_____ BOX WIDTH

_____ BOX LENGTH

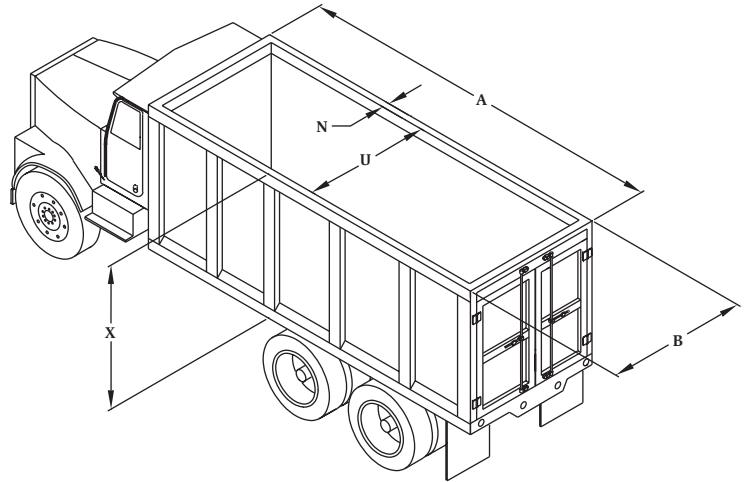


FIGURE 1

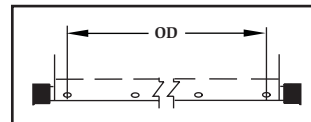


FIGURE 2

